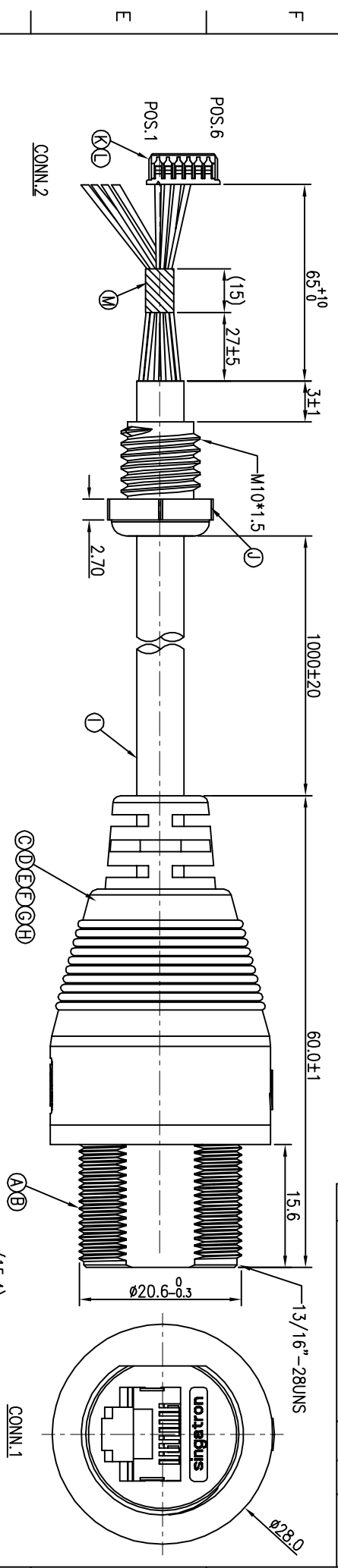
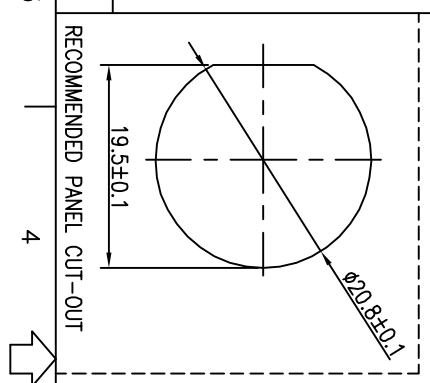
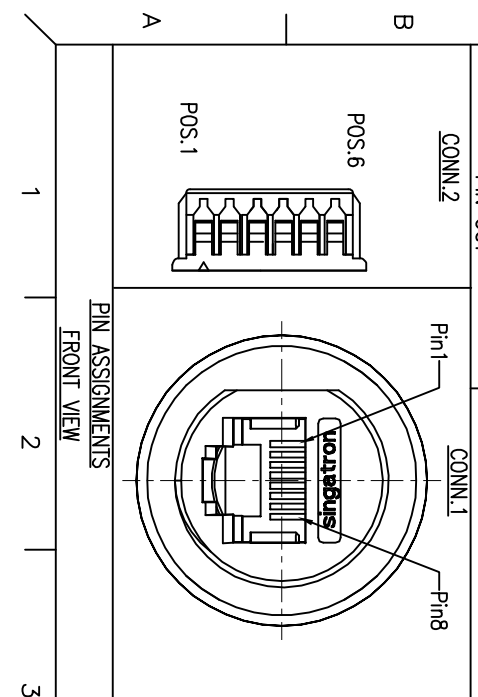


REV.	ECN NO.	OR DESCRIPTION	REVISED	DATE
A	PDR NO.:S170802-5A	Vicky	2017.08.03	



/	BROWN	8	SHIELD	
/	BROWN/WHITE	7		TWIST
/	GREEN	6		TWIST
/	BLUE/WHITE	5		TWIST
/	BLUE	4		TWIST
2	GREEN/WHITE	3		TWIST
3	ORANGE	2		TWIST
4	ORANGE/WHITE	1		TWIST
CONN.2 WIRE COLOR		CONN.1		
PIN OUT				
CONN.2		CONN.1		

- NOTES:
- ELECTRICAL CHARACTERISTICS:
 - 1-1 CURRENT RATING: 1.5 AMPS
 - 1-2 CONTACT RESISTANCE: 3 Ohm Max.
 - 1-3 INSULATION RESISTANCE: 30 Mohm Min. at 300VDC.
 - 1-4 BREAKDOWN VOLTAGE: 300 VAC PER MINUTE.
 - ENVIRONMENTAL:
 - 3-1 OPERATING TEMPERATURE: -20°C TO +80°C.
 - 3-2 SEALING REQUIREMENTS: IP67.
 - 3-2 SEALING REQUIREMENTS: IP67.
 - OTHER GENERAL SPEC. TO REFER "RJ45 SERIES SPEC".
 - FOR TECHNICAL DATA REFER TO YOUR LOCAL SINGATRON ELECTRONICS SALES OFFICE.
 - ALL DIMENSIONS ARE NOMINAL FOR REFERENCE ONLY UNLESS OTHERWISE STATED.
 - TO CONFORM TO SINGATRON HAZARDOUS SUBSTANCE FREE SPEC.
 - GREEN PRODUCT IDENTIFICATION LABEL ON PACKAGING. [\[see page\]](#)



M	HEAT SHRINK TUBE	1	Ø4.0 L=15mm 300V	RED
L	TERMINAL	4	Phosphor Bronze	TIN PLATED
K	HOUSING	1	NYLON	WHITE
J	SR	1	ABS	BLACK
I	CABEL	1	UL2835 4P*76AWG+AL+D +B CAT.5E OD=6.0 UV	BLACK(PVC JACKET)
H	OVER MOLD	1	TPU	BLACK
G	INNER MOLD	1	PVC	BLACK
F	LIQUID GLUE	1	N/A	BLACK
E	UV GLUE	1	N/A	NATURAL
D	HEAT SHRINK TUBE	1	Ø1.0 L=15mm 300V	BLACK
C	SCREW	1	SUS 304	NATURAL
B	RJ45+PCB	1	N/A	N/A
A	HOUSING	1	PA66+GF	BLACK
NO	DESCRIPTION	QTY	MATERIAL	PLATING & COLOR

UNLESS OTHERWISE SPECIFIED TOLERANCES

DECIMALS:	ANGLES:
X :±0.5	X :±2
X.X :±0.3	X.X :±1'
X.XX :±0.2	

TITLE WATERPROOF RJ45 CAT.5E SRP JACK
 DWG Vicky
 CHKD JF
 APVD Steve

PART NO. 2173005-W05118H
 SCALE 2:1
 UNIT: mm
 SHEET: 1 OF 1
 REV: A

Singatron Enterprise Co., Ltd.
 信譽企業股份有限公司

CUSTOMER COPY