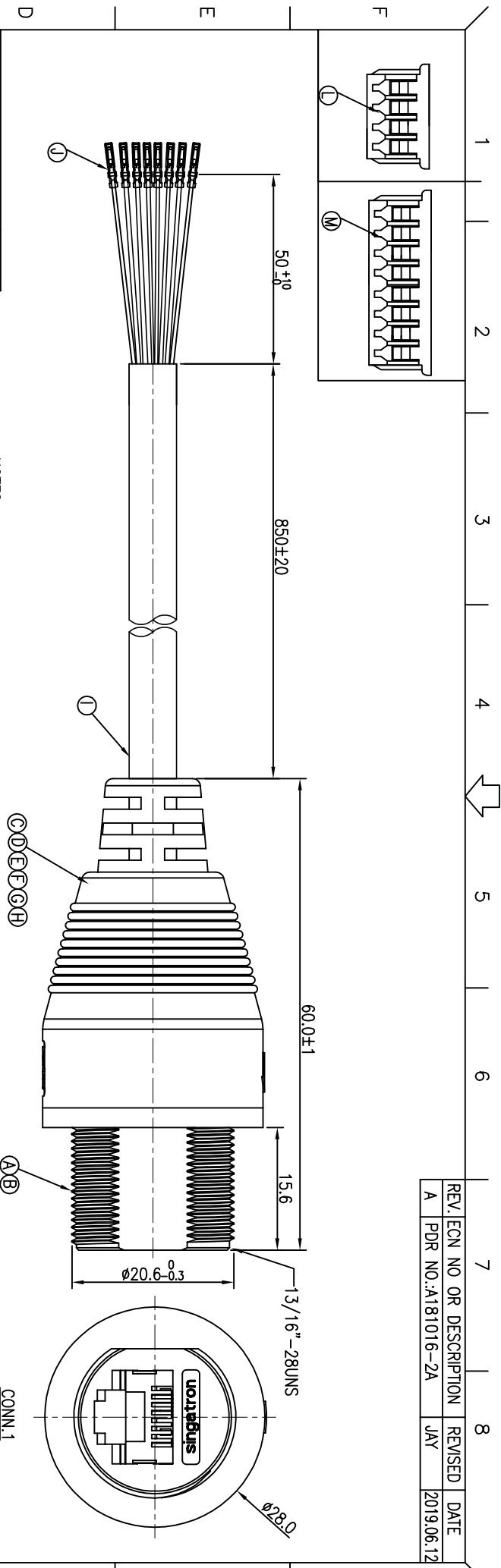
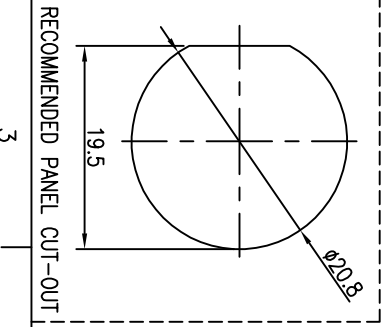
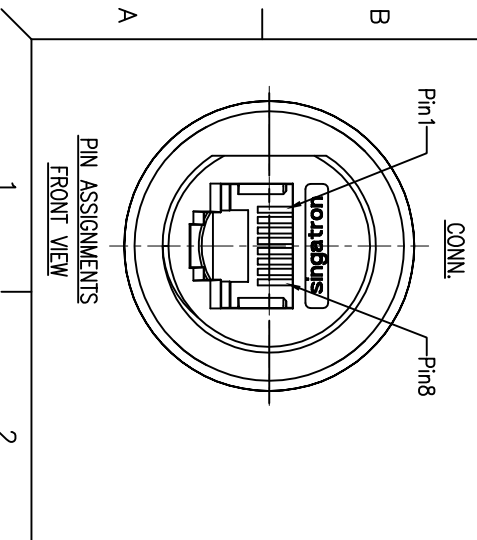


REV.	ECN NO OR DESCRIPTION	REVISED	DATE
A	PDR NO.:A181016-2A	JAY	2019.06.12



Shielded	Shielded
BROWN	8
BROWN/WHITE	7
GREEN	6
BLUE/WHITE	5
BLUE	4
GREEN/WHITE	3
ORANGE	2
ORANGE/WHITE	1
WIRE COLOR	CONN.
PIN OUT	

- NOTES:
- ELECTRICAL CHARACTERISTICS:
 - 1-1 CURRENT RATING: 1.5 AMPS
 - 1-2 CONTACT RESISTANCE: 3 Ohm Max.
 - 1-3 INSULATION RESISTANCE: 30 MOhm Min. at 300VDC.
 - 1-4 BREAKDOWN VOLTAGE: 300 VAC PER MINUTE.
 - ENVIRONMENTAL:
 - 3-1 OPERATING TEMPERATURE: -20°C TO +80°C.
 - 3-2 SEALING REQUIREMENTS: IP67.
 - OTHER GENERAL SPEC. TO REFER "RJ45 SERIES SPEC".
 - FOR TECHNICAL DATA REFER TO YOUR LOCAL SINGATRON ELECTRONICS SALES OFFICE.
 - ALL DIMENSIONS ARE NOMINAL FOR REFERENCE ONLY UNLESS OTHERWISE STATED.
 - TO CONFORM TO SINGATRON HAZARDOUS SUBSTANCE FREE SPEC.
 - GREEN PRODUCT IDENTIFICATION LABEL ON PACKAGING (Gr. Pass)



M	HOUSING	1	MOX510210800	PBT1 UL94V-0
L	HOUSING	1	MOX510210400	PBT1 UL94V-0
J	TERMINAL	8	MOX500798000	MATTE TIN40U Min
I	CABEL	1	UL2835 4P*26AWG+AL+D +B CAT.5E OD=6.0 UV	BLACK(PVC JACKET)
H	OVER MOLD	1	TPU	BLACK
G	INNER MOLD	1	PVC	BLACK
F	LIQUID GLUE	1	N/A	BLACK
E	UV GLUE	1	N/A	NATURAL
D	HEAT SHRINK TUBE	1	$\phi 1.0$ L=15mm 300V	BLACK
C	SCREW	1	SUS 304	NATURAL
B	RJ45+PCB	1	N/A	N/A
A	HOUSING	1	PA66+GF	BLACK
NO	DESCRIPTION	QTY	MATERIAL	PLATING & COLOR
UNLESS OTHERWISE SPECIFIED TOLERANCES				
Singatron Enterprise Co., Ltd. 信譽企業股份有限公司				
TITLE WATERPROOF RJ45 CAT.5E STP JACK				
DECIMALS: ANGLES: X :±0.5 X :±2				
XX :±0.3 XX :±1				
X:XX :±0.2				
CUSTOMER COPY				