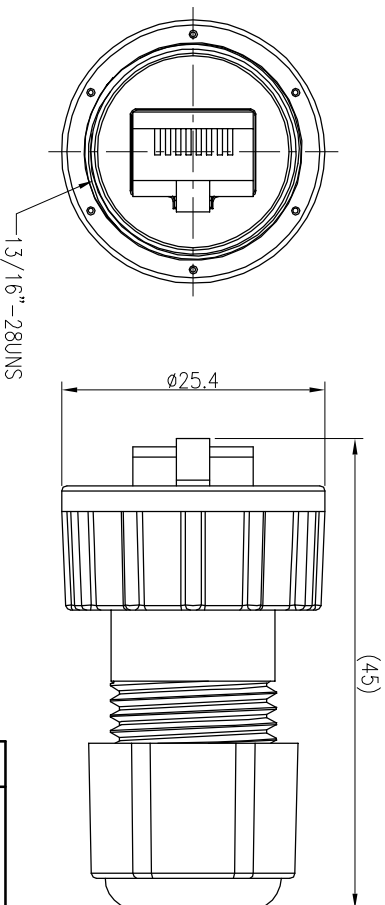
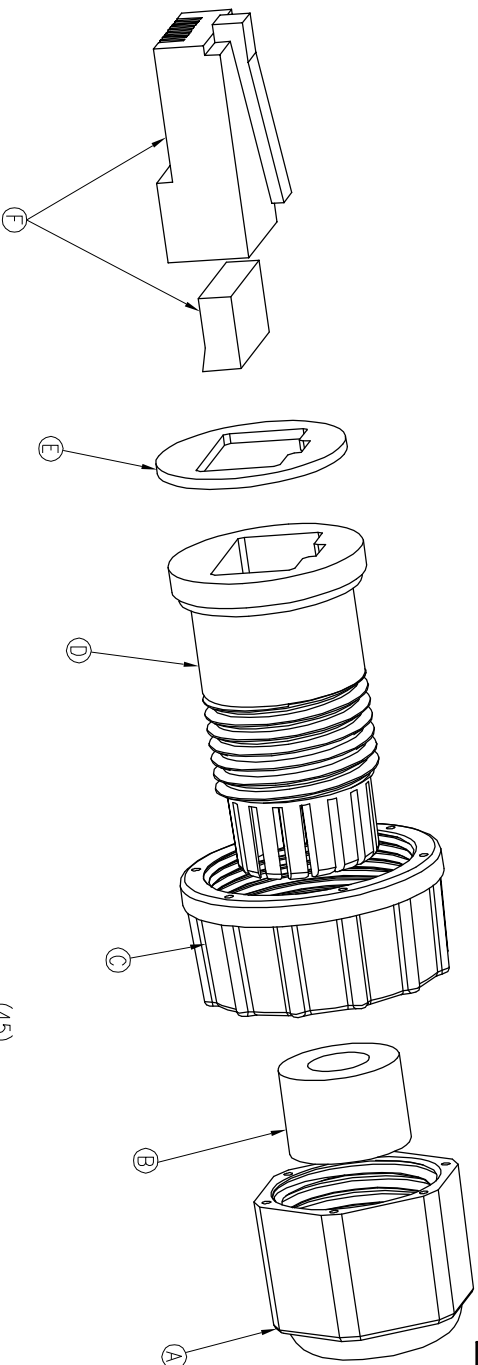


REV.	ECN NO.	OR DESCRIPTION	REVISED	DATE
A	PDR NO:T130626-2A		Shown	2014.10.17
B	ECN NO:S202008-R03/A		JF	2020.08.24
C	ECN NO.:S202211-R09		MF	2022.11.15



- NOTES:
1. WATERPROOF RATE: IP67(WHEN PROPERLY MATED)
IP67: IMMersed IN 1M WATER FOR 30 MINUTES
 2. ELECTRICAL CHARACTERISTICS:
 - 2-1. RATING:125V 1.5A
 - 2-2. CONTACT RESISTANCE: 30mΩ MAX.(INITIAL)
 - 2-3. DIELECTRIC WITHSTANDING VOLTAGE: 750V AC FOR ONE MINUTE
 - 2-4. INSULATION RESISTANCE: 500MΩ MIN. MEASURED BY 500 VDC

3. SEAL FOR CABLE OD:φ4.5mm~φ6.3mm
4. OTHER GENERAL SPEC. TO REFER "RJ45 SERIES SPEC."
5. TO CONFORM TO SINGATRON HAZARDOUS SUBSTANCE FREE SPEC.
6. GREEN PRODUCT IDENTIFICATION LABEL ON PACKAGING:

NO	DESCRIPTION	QTY	MATERIAL	PLATING & COLOR
F	RJ45 PLUG	1	CAT6 UTP PLUG	N/A
E	GASKET	1	SILICONE	BLACK
D	CLAMP RING	1	PC	BLACK
C	SCREW NUT	1	PC	BLACK
B	SEAL	1	EPDM	BLACK
A	SEALING NUT	1	PA66	BLACK

UNLESS OTHERWISE SPECIFIED TOLERANCES

DECIMALS: ANGLES:

X	:±0.5	X	:±2°
X.X	:±0.3	X.X	:±1'
X.XX	:±0.2		

TITLE	Suzhou Singatron Auto Electronics CO.,LTD. 蘇州信益汽車電子有限公司		
DWN	WF	PART NO.2733006-W05100H	
CHKD	JF	SCALE 1:1	UNIT: mm
APVD	Steve	SIZE: A3	SHEET: 1 OF 1

CUSTOMER COPY