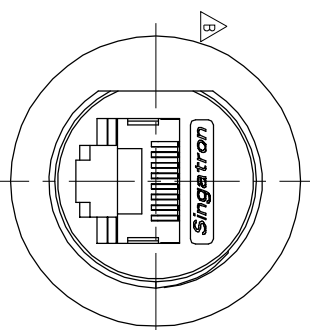
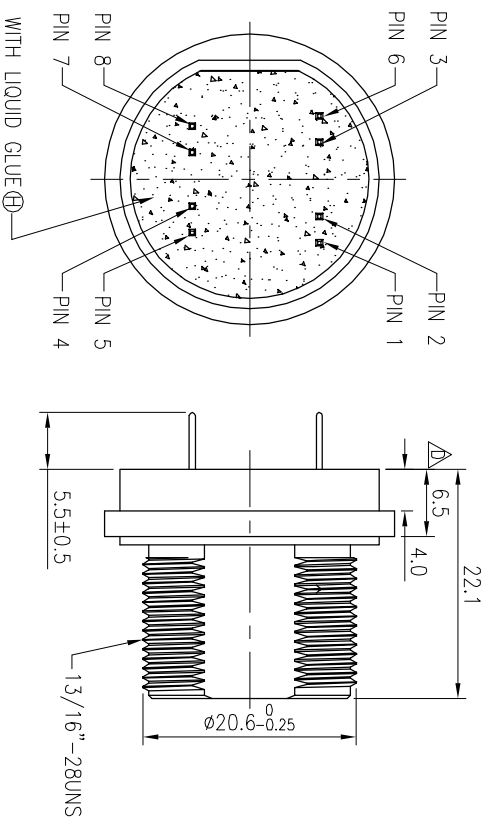
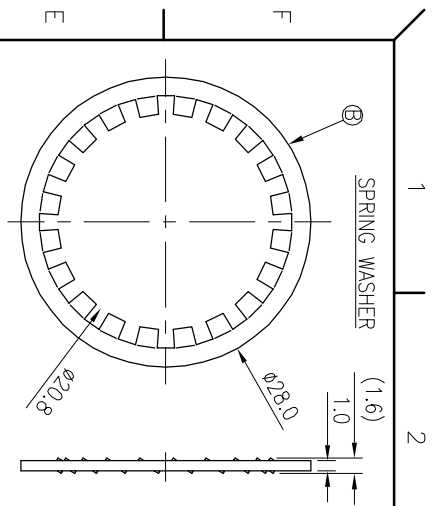
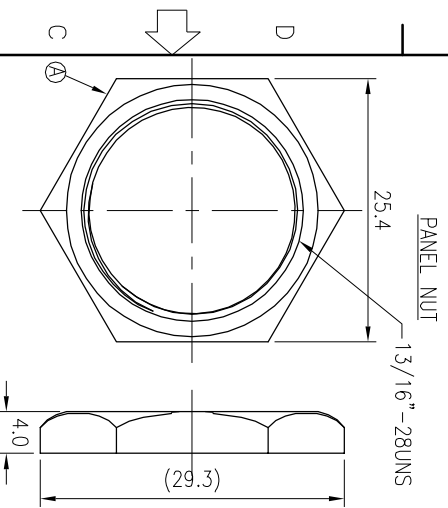


REV.	ECN NO.	OR DESCRIPTION	REVISED	DATE
B	ECN NO:A181203-C		MF	2018.12.07
C	ECN NO:S202006-P02		JAY	2020.11.25
D	ECN NO:S202007-R22		RZ	2021.03.02

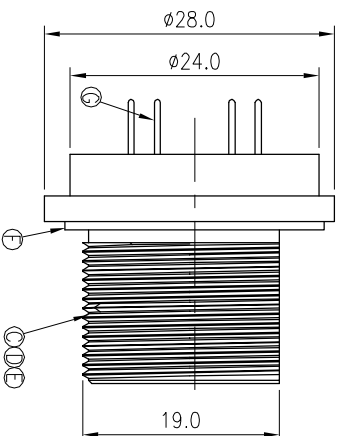


CONN.

WATERPROOF RATE: IP67

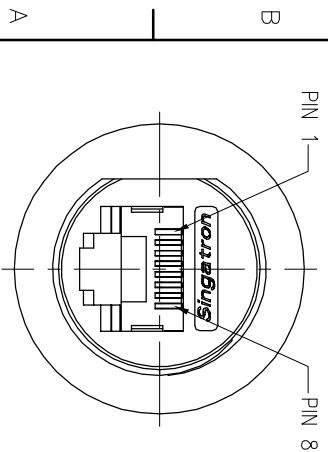


螺母内增加喷胶处理(整圈涂布)
耐粘胶规格: T-40 COLOR: BLUE

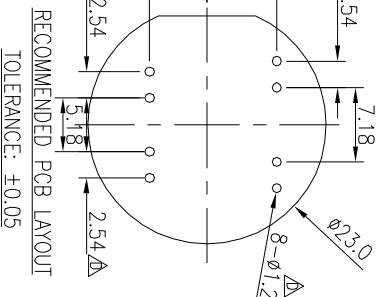
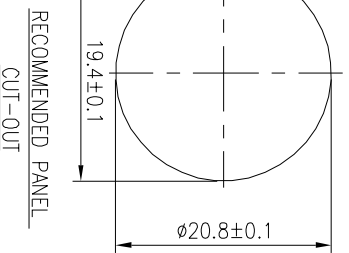


- NOTES:
1. WATERPROOF RATE: IP67
IP67: IMMersed IN 1M WATER FOR 30 MINUTES
 2. RATING: 125V 1.5A
 3. OTHER GENERAL SPEC. TO REFER "R445 SERIES SPEC."
 4. TO CONFORM TO SINGATRON HAZARDOUS SUBSTANCE FREE SPEC.
 5. GREEN PRODUCT IDENTIFICATION LABEL ON PACKAGING:
 6. FOR PANEL THICKNESS MAX OF 4.3mm

CONN.



PIN ASSIGNMENTS
FRONT VIEW



H	LIQUID GLUE	1	SILICON	BLACK
G	WAFER	1	TYU TU5005MNV-2*4	BLACK
F	GASKET	1	SILICONE	BLACK
E	CAT6 CONN	1	P/N:41U3007-W0000P	N/A
D	SCREW	1	STAINLESS STEEL	N/A
C	HOUSING	1	ZINC ALLOY	120U" NICKEL PLATED
B	SPRING WASHER	1	SUS 304	N/A
A	PANEL NUT	1	ZINC ALLOY	120U" NICKEL PLATED
NO	DESCRIPTION	QTY	MATERIAL	PLATING & COLOR



Suzhou Singatron Auto Electronics CO.,LTD.
蘇州信通汽車電子有限公司

UNLESS OTHERWISE SPECIFIED TOLERANCES

DECIMALS: ANGLES:
X :±0.5 X :±2°
X.X :±0.3 X.X :±1°
X.XX :±0.2

TITLE	R445 CAT6 SIP KEYSTONE JACK SOCKET
DWN	RZ PART NO.27J3007-W05100H
CHKD	JF SCALE 1:1 UNIT: mm
APVD	William SIZE: A3 SHEET: 1 OF 1 REV: D

CUSTOMER COPY