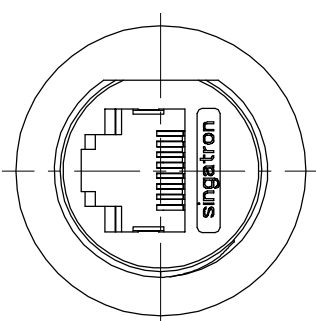


REV	ECN NO	OR DESCRIPTION	REVISED	DATE
A	PDR NO.:T180801-2A		Jun	2019.02.15
B	ECN NO.: S202006-P02		JAY	2020.11.25
C	ECN NO.: S202106-R01		LEI	2021.08.23



CONN.
WATERPROOF RATE: IP67

- NOTES:
1. WATERPROOF RATE: IP67
 2. RATING: 125V 1.5A
 3. OTHER GENERAL SPEC.: TO REFER "RJ45 SERIES SPEC."
 4. TO CONFORM TO SINGATRON HAZARDOUS SUBSTANCE FREE SPEC.
 5. GREEN PRODUCT IDENTIFICATION LABEL ON PACKAGING: **GREEN**
 6. FOR PANEL THICKNESS MAX OF 4.3mm
 7. 螺母, 墊圈, 防水帽以附件形式包裝出貨

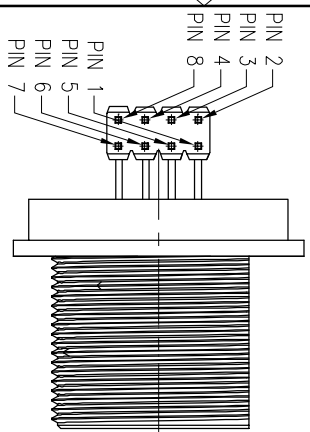
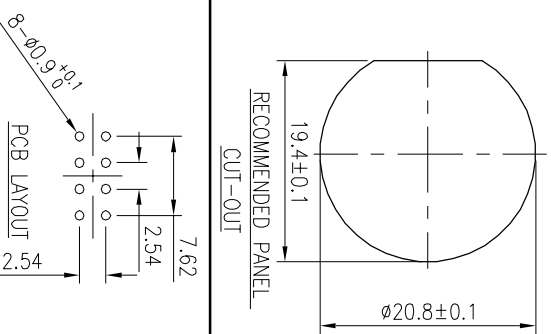
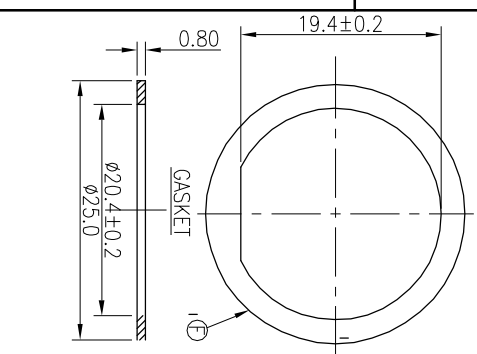
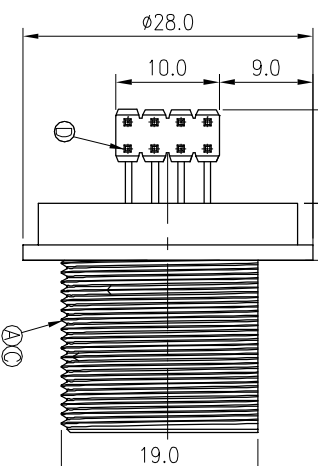
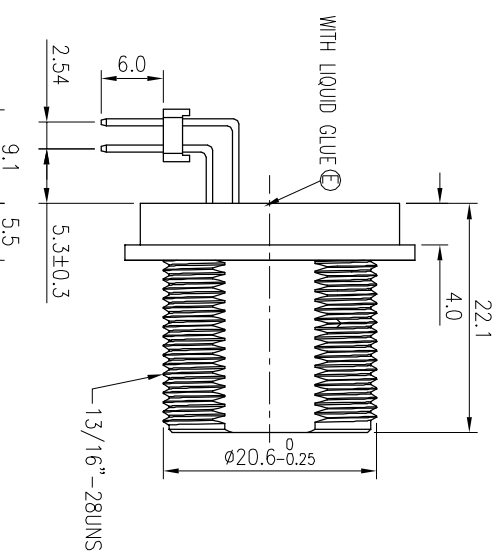
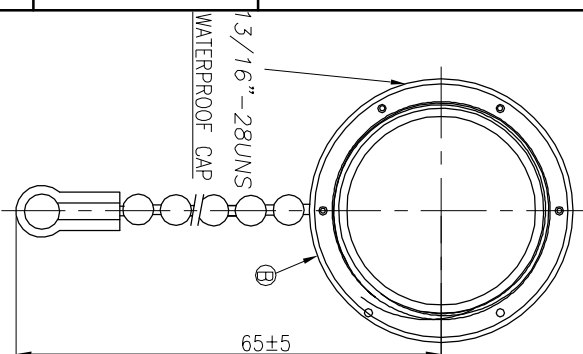
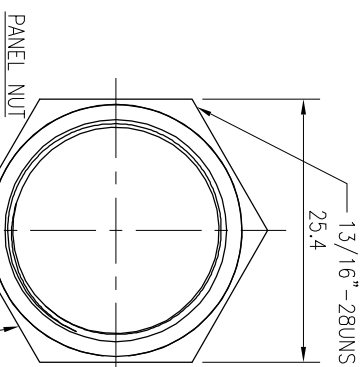
G	PANEL NUT	1	BRASS C3604	NICKEL PLATING
F	GASKET	1	Conductive silicone	BLACK
E	LIQUID GLUE	1	JAY23A/B	BLACK
D	PIN HEADER	1	P/N:4TJ3014-W00009	N/A
C	CAT SE CONN	1	N/A	N/A
B	WATERPROOF CAP	1	N/A	N/A
A	BODY	1	ZINC ALLOY	NICKEL PLATING
NO	DESCRIPTION	QTY	MATERIAL	PLATING & COLOR

UNLESS OTHERWISE SPECIFIED TOLERANCES

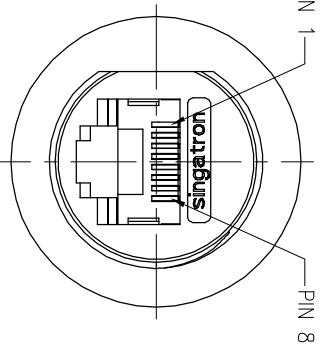
Suzhou Singatron Auto Electronics CO.,LTD.
蘇州信音汽車電子有限公司

DECIMALS:	ANGLES:
X :±0.5	X :±2°
X.X :±0.3	X.X :±1°
X.XX :±0.2	

螺母內增加耐腐蝕處理(整圈塗布)
耐腐蝕規格: T-40 COLOR:BLUE



PIN ASSIGNMENTS
FRONT VIEW



PIN ASSIGNMENTS
FRONT VIEW

