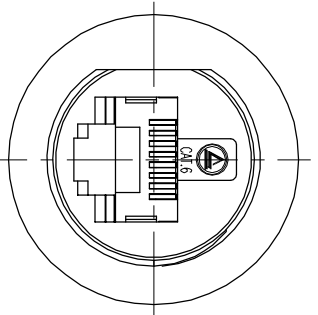
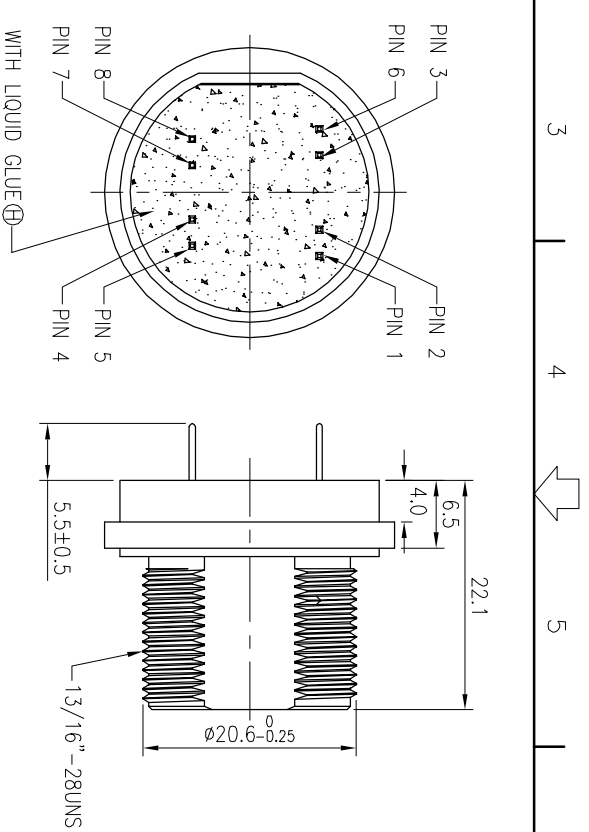
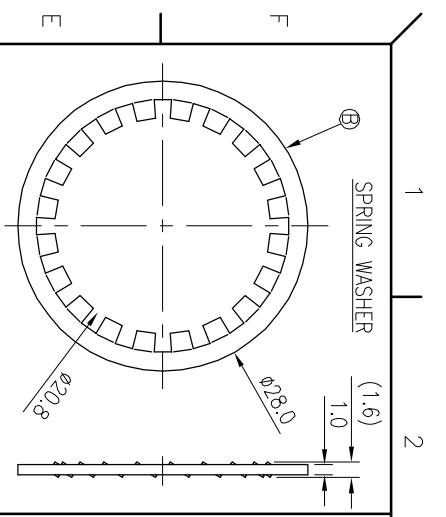
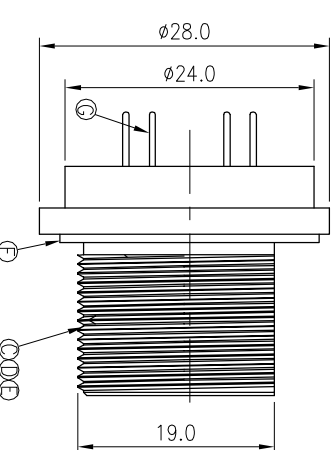
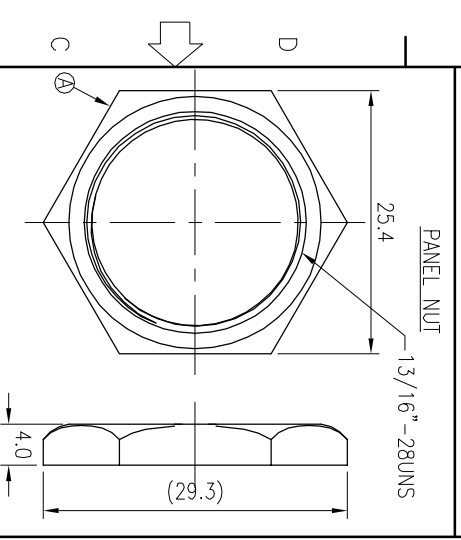


REV	ECN NO	OR DESCRIPTION	REVISED	DATE
A	PDR NO: A200306-2C	RZ	2021.06.01	



CONN.
WATERPROOF RATE: IP67



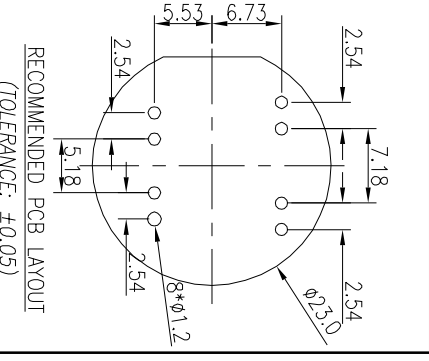
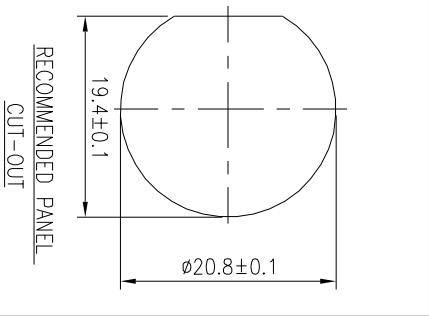
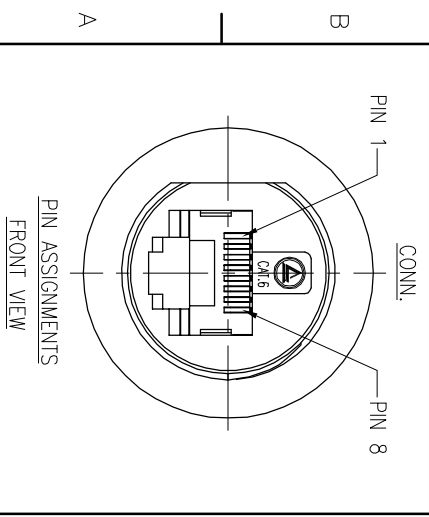
- NOTES:
1. WATERPROOF RATE: IP67
 2. WATERPROOF RATE: IP67
 3. RATING: 125V 1.5A
 4. OTHER GENERAL SPEC. TO REFER "RJ45 SERIES SPEC".
 5. TO CONFORM TO SINGATRON HAZARDOUS SUBSTANCE FREE SPEC.
 6. GREEN PRODUCT IDENTIFICATION LABEL ON PACKAGING: **GR-PLAS**
 7. FOR PANEL THICKNESS MAX OF 4.3mm

H	LIQUID GLUE	1	SILICON	BLACK
G	WAFER	1	TYU TU5005MNV-2*4	BLACK
F	GASKET	1	SILICONE	BLACK
E	CAT6 CONN	1	P/N: 41J3007-W0000P	N/A
D	SCREW	1	STAINLESS STEEL	N/A
C	HOUSING	1	ZINC ALLOY	120U" NICKEL PLATED
B	SPRING WASHER	1	SUS 304	N/A
A	PANEL NUT	1	ZINC ALLOY	120U" NICKEL PLATED
NO	DESCRIPTION	QTY	MATERIAL	PLATING & COLOR

UNLESS OTHERWISE SPECIFIED TOLERANCES

TITLE	SCALE	UNIT	REV
RJ45 CAT6 STP KEYSTONE JACK SOCKET	1:1	mm	A
PART NO. 27J3007-W05102H			
SCALE 1:1			
SIZE: A4			
SHEET: 1 OF 1			
REV: A			

Suzhou Singatron Auto Electronics CO.,LTD.
蘇州信譽汽車電子有限公司



DECIMALS: ANGLES:

X	:±0.5	X	:±2°
X.X	:±0.3	X.X	:±1°
X.XX	:±0.2		

CUSTOMER COPY