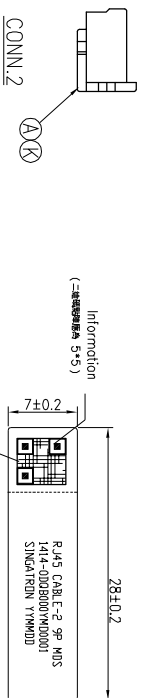
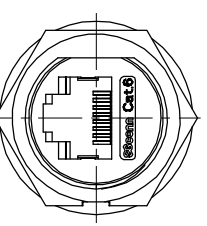
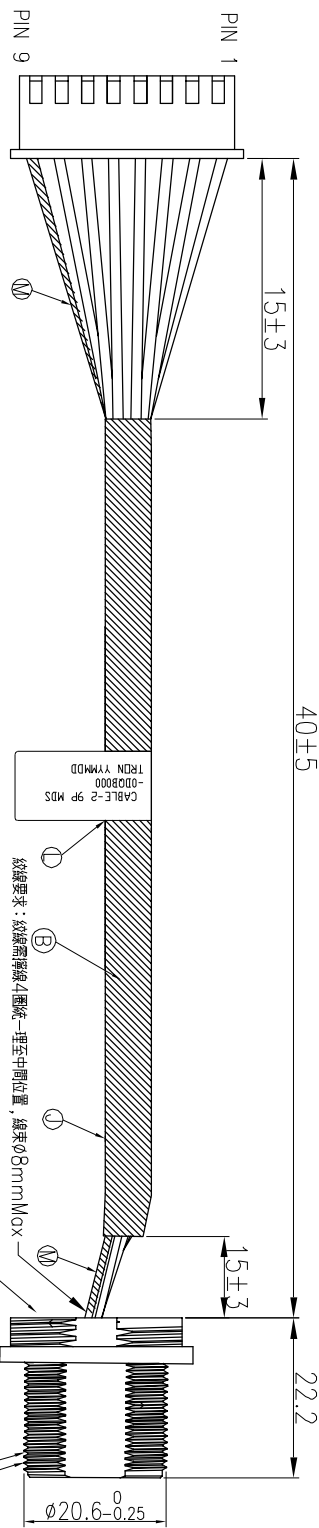
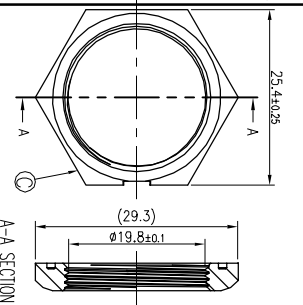
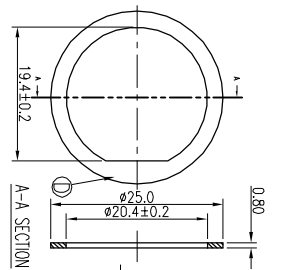
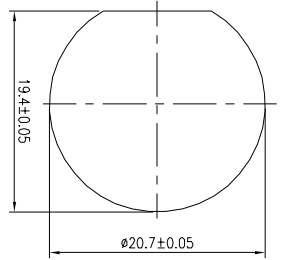
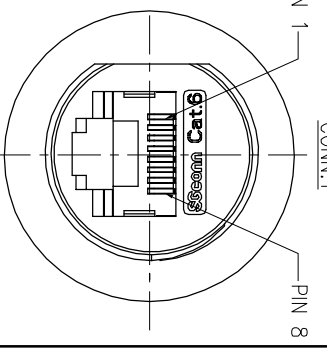
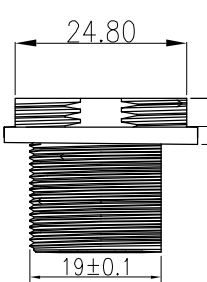


REV.	ECN NO. OR DESCRIPTION	REVISED	DATE
B	ECN NO.:S202108-C06	JAY	2021.08.13
C	ECN NO.:S202111-C02	RZ	2021.12.22



SHEET	DRAIN		
8	ORANGE/WHITE	8	TWIST
7	ORANGE	7	TWIST
6	GREEN/WHITE	6	TWIST
5	BLUE	5	TWIST
4	BLUE/WHITE	4	TWIST
3	GREEN	3	TWIST
2	BROWN/WHITE	2	TWIST
1	BROWN	1	TWIST

- NOTES:
1. WATERPROOF RATE: IP67(WHEN PROPERLY MATED)
 - IP67: IMMERSED IN 1M WATER FOR 30 MINUTES
 2. RATING: 125V 1.5A
 3. SPECIFICATIONS:SEE "R445 SERIES SPECIFICATIONS".
 4. TO CONFORM TO SINGATRON HAZARDOUS SUBSTANCE FREE SPEC.
 5. GREEN PRODUCT IDENTIFICATION LABEL ON PACKAGING: **GREEN**
 6. PRINTED DATE CODE "YMMDD" ON TOP OF CONNECTOR.
 7. PANEL NUT & GASKET IN THE FORM OF ATTACHMENT PACKING SHIPMENTS



NO	DESCRIPTION	QTY	MATERIAL	PLATING & COLOR
A	HOUSING	1	JWT P/N A2501H02-9P	N/A
B	CABLE	1	24AWG*4P+D	N/A
C	PANEL NUT	1	NYLON+GF	BLACK
D	GASKET	1	EPDM	N/A
E	BODY	1	NYLON+GF	BLACK
F	SCREW	1	STAINLESS STEEL	N/A
G	CAT6 CONN	1	N/A	N/A
H	LIQUID GLUE	1	SILICONE	BLACK
J	ACETATE CLOTH TAPE	1	W1.0*10.12	BLACK
K	TERMINAL	9	JWT A2501TOP-2	N/A
L	TUBE LABEL	1	1.28*W7mm	WHITE
M	TUBE	2	1.0. 125°C. 300V	BLACK

DECIMALS:	ANGLES:	TITLE
X : ±0.5	X : ±2°	WATERPROOF R445 PLUG
X.X : ±0.3	X.X : ±1°	PART NO.:2TJ3008-W05107H
X.XX : ±0.2		SCALE 1:1 UNIT: mm
		SIZE: A4 SHEET:1 OF 1 REV: C

Suzhou Singatron Auto Electronics CO.,LTD.
蘇州新特爾汽車電子有限公司

CUSTOMER COPY