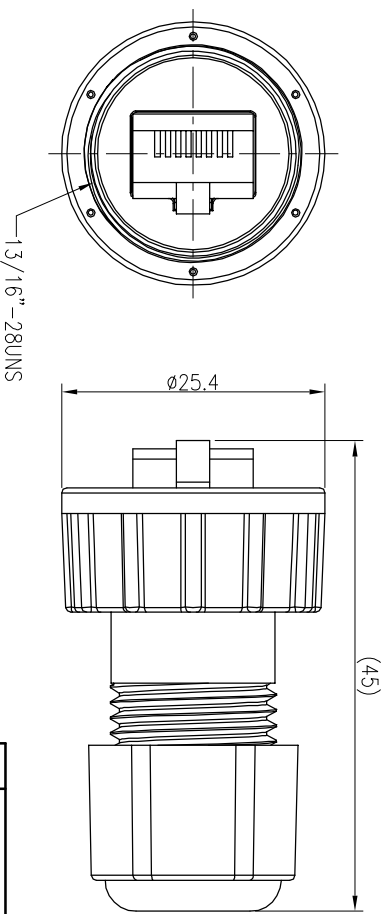
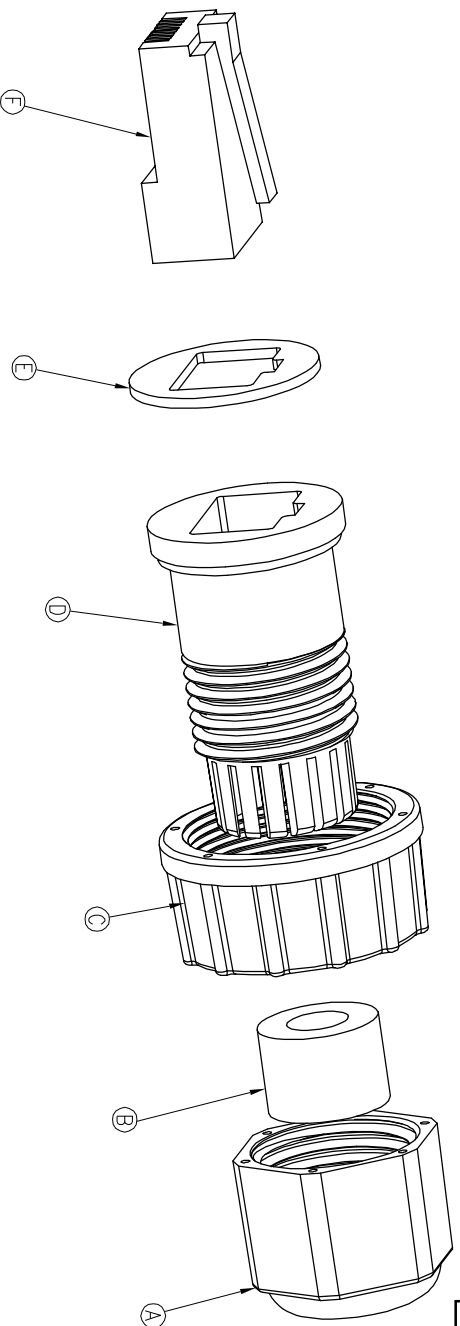


REV.	ECN NO.	OR DESCRIPTION	REVISED	DATE
A	PDR NO.:T130626-2B		Shown	2014.10.17
B	ECN NO.:S202008-R03	△	JF	2020.08.24
C	ECN NO.:S202211-R09		MF	2022.11.15



NOTES:

1. WATERPROOF RATE: IP67(WHEN PROPERLY MATED)
IP67: IMMersed IN 1M WATER FOR 30 MINUTES
2. ELECTRICAL CHARACTERISTICS:
 - 2-1. RATING:125V 1.5A
 - 2-2. CONTACT RESISTANCE: 30mΩ MAX.(INITIAL)
 - 2-3. DIELECTRIC WITHSTANDING VOLTAGE: 750V AC FOR ONE MINUTE
 - 2-4. INSULATION RESISTANCE: 500MΩ MIN. MEASURED BY 500 VDC
3. SEAL FOR CABLE OD:φ4.5mm~φ6.3mm
4. OTHER GENERAL SPEC. TO REFER "RJ45 SERIES SPEC."
5. TO CONFORM TO SINGAITRON HAZARDOUS SUBSTANCE FREE SPEC.
6. GREEN PRODUCT IDENTIFICATION LABEL ON PACKAGING:



F	RJ45 PLUG	1	CAT6 SHIELD PLUG	N/A
E	GASKET	1	SILICONE	BLACK
D	CLAMP RING	1	PC	BLACK
C	SCREW NUT	1	PC	BLACK
B	SEAL	1	EPDM	BLACK
A	SEALING NUT	1	PA66	BLACK
NO	DESCRIPTION	QTY	MATERIAL	PLATING & COLOR

UNLESS OTHERWISE SPECIFIED TOLERANCES

Suzhou Singatron Auto Electronics CO.,LTD.
蘇州信益汽車電子有限公司

DECIMALS:	ANGLES:
X :±0.5	X :±2°
X.X :±0.3	X.X :±1°
X.XX :±0.2	

TITLE	WATERPROOF RJ45 CAT6 STP PLUG
DWN	MF
CHKD	JF
APVD	Slave

PART NO.:2733009-W05100H
SCALE: 1:1 UNIT: mm
SIZE: A3 SHEET: 1 OF 1 REV: C

CUSTOMER COPY