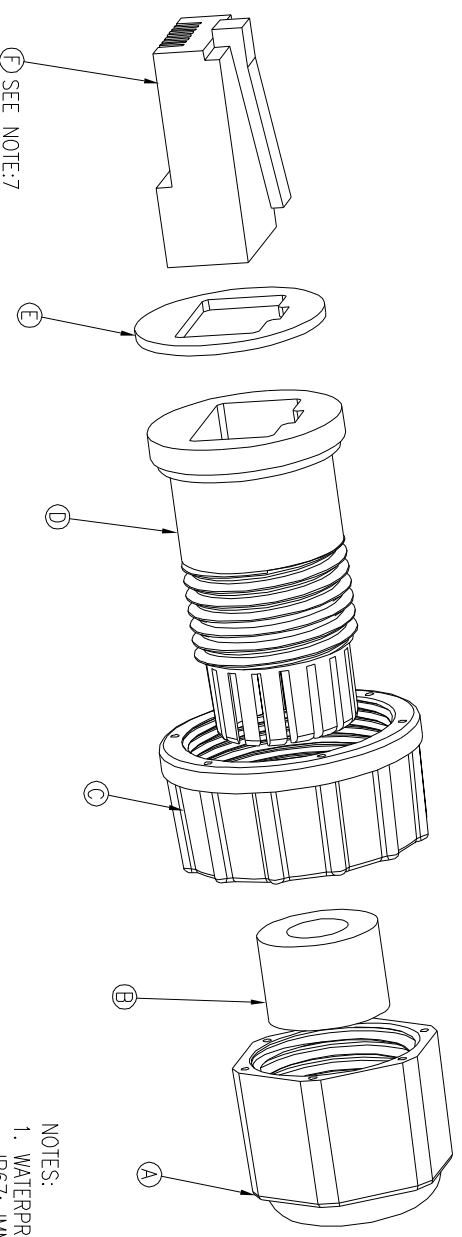
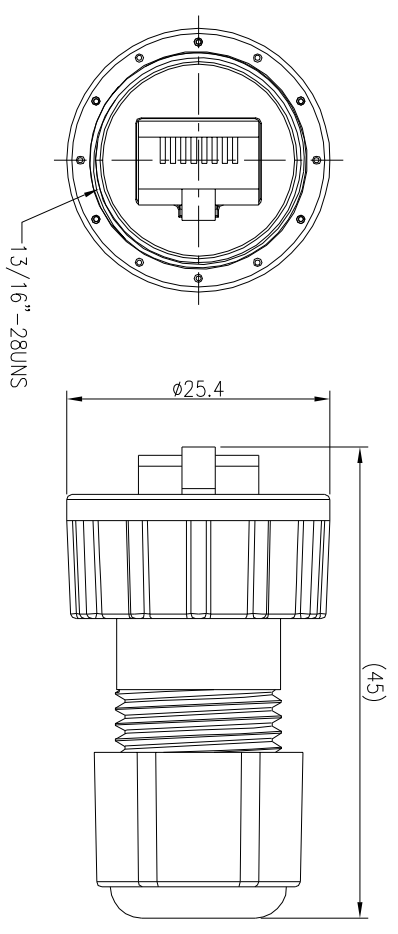


REV.	ECN NO OR DESCRIPTION	REVISED	DATE
B	ECN NO.:S101019	LILY	2010.10.20
C	ECN NO.:S130571	Shawn	2013.09.29
D	ECN NO.:S150343-C	Susie	2015.03.20
E	ECN NO.:S160542-C	Yang	2016.05.26
F	ECN NO.:S202103-R23	RZ	2021.04.26



- NOTES:
1. WATERPROOF RATE: IP67(WHEN PROPERLY MATED)  
IP67: IMMERSED IN 1M WATER FOR 30 MINUTES
  2. ELECTRICAL CHARACTERISTICS:
    - 1-1. RATING:125V/1.5A
    - 1-2. CONTACT RESISTANCE: 30mΩ MAX.(INITIAL)
    - 1-3. DIELECTRIC WITHSTANDING VOLTAGE: 750V AC FOR ONE MINUTE
    - 1-4. INSULATION RESISTANCE: 500MΩ MIN. MEASURED BY 500 VDC
  3. SEAL FOR CABLE OD:φ3.5mm~φ5.5mm
  4. OTHER GENERAL SPEC. TO REFER "RJ45 SERIES SPEC".
  5. TO CONFORM TO SINGATRON HAZARDOUS SUBSTANCE FREE SPEC.
  6. GREEN PRODUCT IDENTIFICATION LABEL ON PACKAGING: **GREEN**
  7. ORDER INFORMATION: 21J300X-W05100

- 0-WITH STP PLUG
- 1-WITH UTP PLUG
- 2-WITHOUT PLUG



F	RJ45 PLUG	1	SEE NOTE 7	N/A
E	GASKET	1	SILICONE	BLACK
D	CLAMP RING	1	PC 9330	BLACK
C	SCREW NUT	1	PC 9330	BLACK
B	SEAL	1	EPDM	BLACK
A	SEALING NUT	1	PA66 FR370	BLACK
NO	DESCRIPTION	QTY	MATERIAL	PLATING & COLOR
UNLESS OTHERWISE SPECIFIED TOLERANCES				
Suzhou Singatron Auto Electronics CO.,LTD. 苏州信通汽车电子有限公司				
TITLE WATERPROOF RJ45 PLUG				
DMN	RZ	PART NO.21J300X-W05100		
CHKD	JF	SCALE 1:1 UNIT: mm		
APVD	William	SIZE: A4 SHEET:1 OF 1 REV: F		

DECIMALS:	ANGLES:	TITLE
X :±0.5	X :±2°	DMN
XX :±0.3	XX :±1°	CHKD
X.XX :±0.2		APVD

CUSTOMER COPY