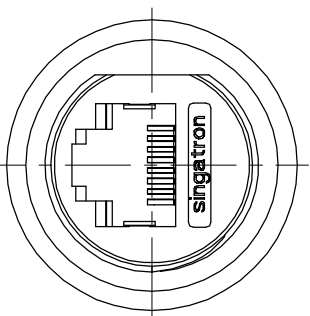
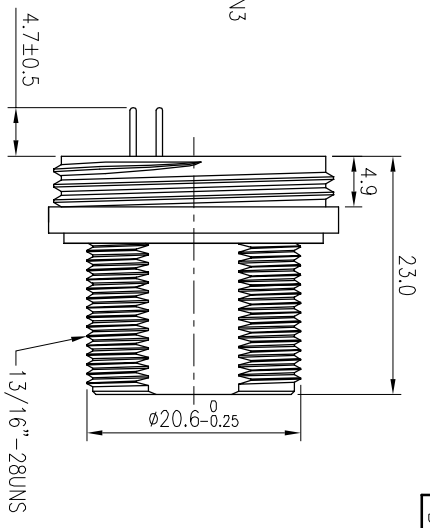
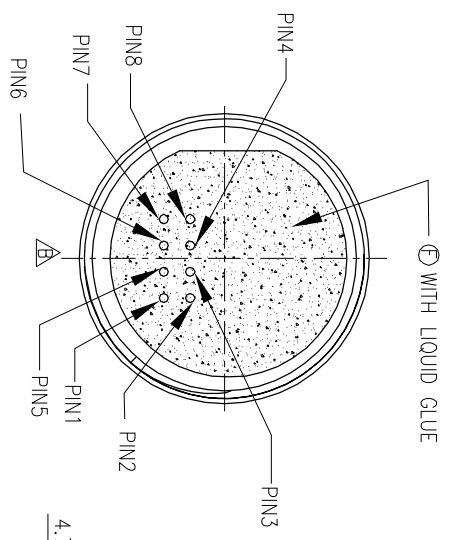
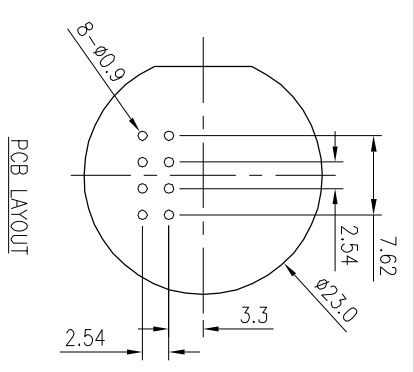
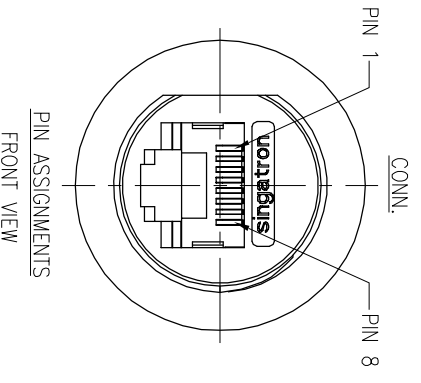
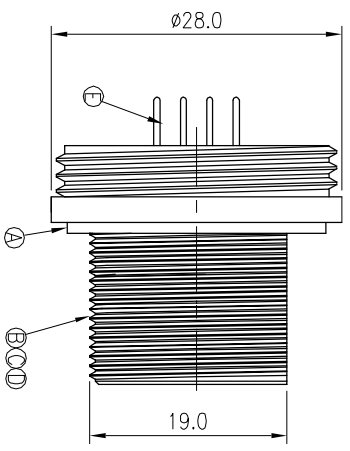
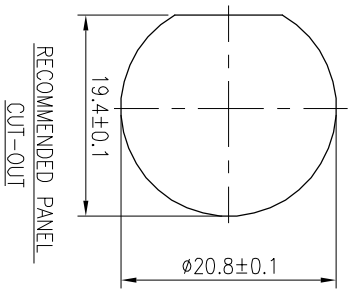


REV.	ECN NO.	OR DESCRIPTION	REVISED	DATE
A	PDR	NO:IT150819-13A	Vicky	2015.08.20
B	ECN	NO:S202009-R18	LEI	2020.12.08



WATERPROOF RATE: IP67



- NOTES:
1. WATERPROOF RATE: IP67  
IP67: IMMERSED IN 1M WATER FOR 30 MINUTES
  2. RATING: 125V 1.5A
  3. OTHER GENERAL SPEC. TO REFER "RJ45 SERIES SPEC".
  4. TO CONFORM TO SINGATRON HAZARDOUS SUBSTANCE FREE SPEC.
  5. GREEN PRODUCT IDENTIFICATION LABEL ON PACKAGING:
  6. FOR PANEL THICKNESS MAX OF 4.3mm

F	LIQUID GLUE	1	JA723A/B	BLACK
E	WAFER	1	TYU TU5005MNV-2*4	BLACK
D	CAT 5E CONN	1	P/N:4TU3013-W0000P	N/A
C	SCREW	1	STAINLESS STEEL	N/A
B	HOUSING	1	NYLON+GF	BLACK
A	GASKET	1	EPDM	BLACK
NO	DESCRIPTION	QTY	MATERIAL	PLATING & COLOR

UNLESS OTHERWISE SPECIFIED TOLERANCES

DECIMALS:	ANGLES:
X : ±0.5	X : ±2°
X.X : ±0.3	X.X : ±1°
X.XX : ±0.2	

CUSTOMER COPY