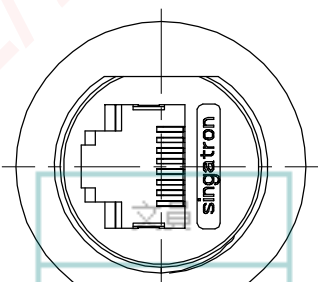


REV.	ECN NO. OR DESCRIPTION	REVISED	DATE
A	PDR NO:141223-8A	JF	2015.07.15



CONN.  
WATERPROOF RATE: IP67

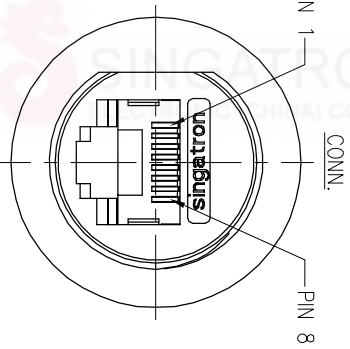
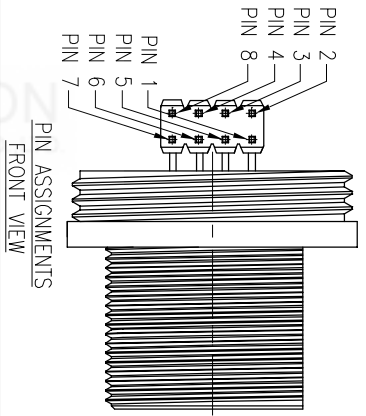
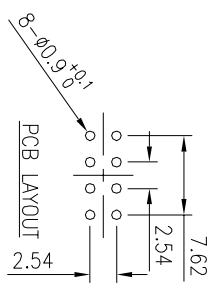
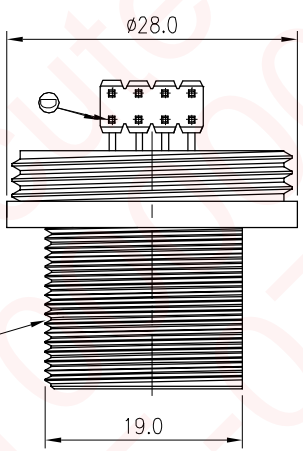
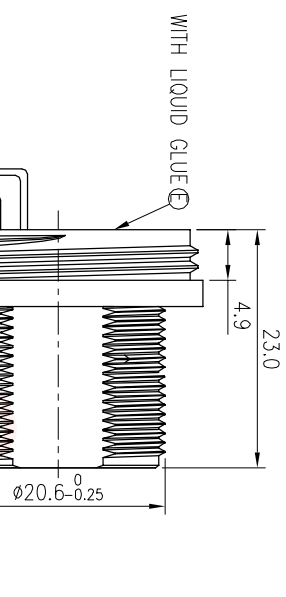
DC9(S2)


陳啟發



2015/07/23


08:58:55



- NOTES:
1. WATERPROOF RATE: IP67  
IP67: IMMERSED IN 1M WATER FOR 30 MINUTES
  2. RATING: 125V 1.5A
  3. OTHER GENERAL SPEC. TO REFER "RJ45 SERIES SPEC".
  4. TO CONFORM TO SINGATRON HAZARDOUS SUBSTANCE FREE SPEC.
  5. GREEN PRODUCT IDENTIFICATION LABEL ON PACKAGING: 
  6. FOR PANEL THICKNESS MAX OF 4.3mm

E	LIQUID GLUE	1	JA723A/B	BLACK
D	PIN HEADER	1	N/A	N/A
C	CAT 5E CONN	1	P/N:4TJ3013-W0000P	N/A
B	SCREW	1	STAINLESS STEEL	N/A
A	BODY	1	NYLON+GF	BLACK
NO	DESCRIPTION	QTY	MATERIAL	PLATING & COLOR

UNLESS OTHERWISE SPECIFIED TOLERANCES

 Singatron Enterprise Co., Ltd.  
信晉企業股份有限公司

DECIMALS:	ANGLES:	TITLE	RJ45 CAT 5E KEYSTONE JACK SOCKET
X : ±0.5	X : ±2°	DWN	JF
X.X : ±0.3	X.X : ±1°	CHKD	Yang
X.XX : ±0.2		APVD	Horlen

CUSTOMER COPY