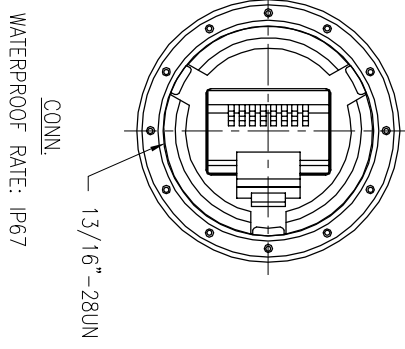
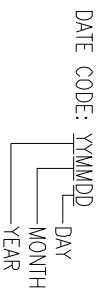
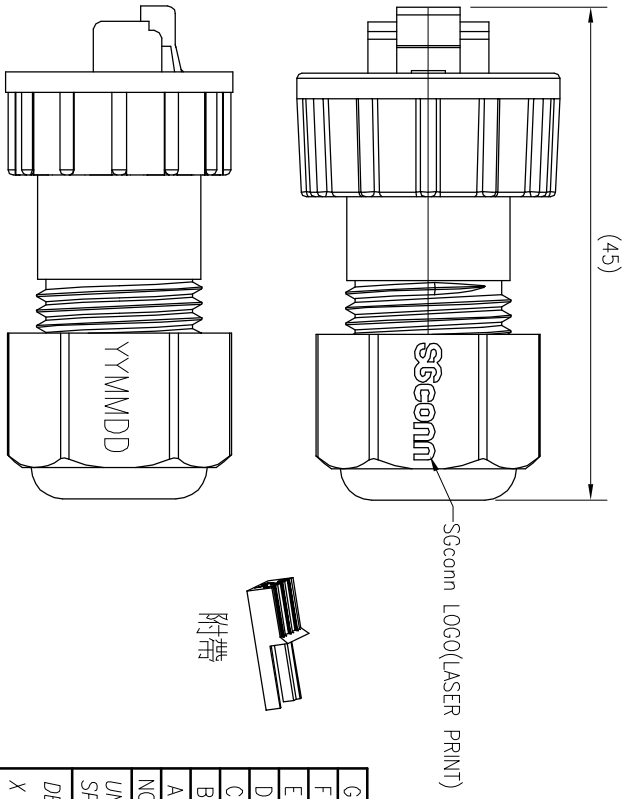


- NOTES:
1. WATERPROOF RATE: IP67(WHEN PROPERLY MATED)
IP67: IMMERSED IN 1M WATER FOR 30 MINUTES
 2. RATING:125V 1.5A
 3. OTHER GENERAL SPEC. TO REFER "RJ45 SERIES SPEC".
 4. TO CONFORM TO SINGATRON HAZARDOUS SUBSTANCE FREE SPEC.
 5. GREEN PRODUCT IDENTIFICATION LABEL ON PACKAGING: **GREEN PASS**
 6. RJ45 PLUG FOR WIRE OD: 4.0~6.3mm
 7. TIGHTENING TORQUES: 0.8~1.0Nm
 8. LASE DATE CODE "YYMMDD" ON TOP OF CONN.



WATERPROOF RATE: IP67



G	RJ45 PLUG	1	CAT.6A RJ45 PLUG	N/A
F	BRACKET	1	PC	TRANSPARENCY
E	GASKET	1	SILICONE	BLACK
D	CLAMP RING	1	PA66	BLACK
C	LOCK NUT	1	PA66	BLACK
B	SEAL	1	EPDM	BLACK
A	SEALING NUT	1	PA66	BLACK
NO	DESCRIPTION	QTY	MATERIAL	PLATING & COLOR
UNLESS OTHERWISE SPECIFIED TOLERANCES				
Suzhou Singatron Auto Electronics CO.,LTD. 苏州信高汽车电子有限公司 <small>Manufacturers</small>				
TITLE WATERPROOF RJ45 CAT.6A PLUG LOCK TYPE				
CABLE ASSEMBLY				
DECIMALS:	ANGLES:			
X :±0.5	X :±2°			
X.X :±0.3	X.X :±1°			
X.XX :±0.2				

PART NO.2TJ3021-W05100H

SCALE 1:1 UNIT: mm

SIZE: A3 SHEET:1 OF 1 REV: A

CUSTOMER COPY

REV.	ECN NO OR DESCRIPTION	REVISED	DATE
A	PDR NO.:T220616-1A	MF	2023.09.05

