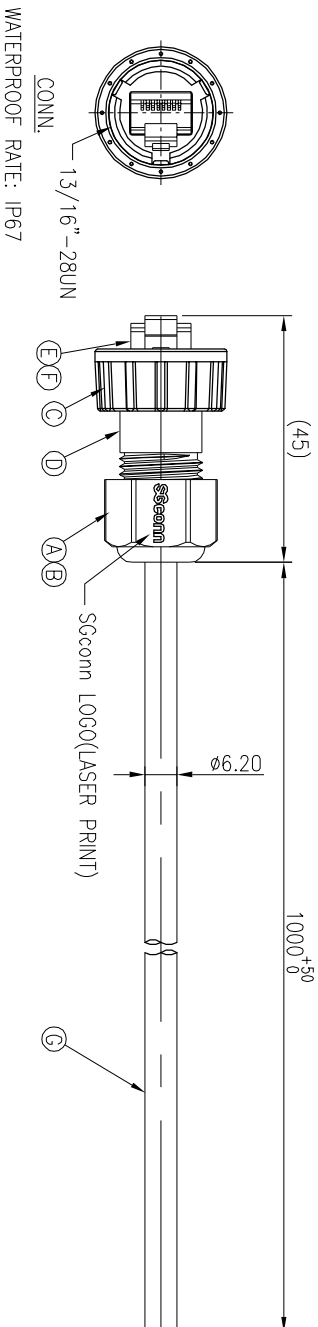
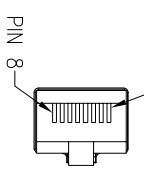


REV.	ECN NO.	OR DESCRIPTION	REVISED	DATE
A	PDR NO.:T200106-6A		JF	2022.05.12
B	ECN NO.:S202206-R08		MF	2022.06.27



C	SHIELD	BRAID
8	BROWN	
7	WHITE/BROWN	
6	GREEN	
5	WHITE/BLUE	
4	BLUE	
3	WHITE/GREEN	
2	ORANGE	
1	WHITE/ORANGE	
B	CONN.	WIRE COLOR
		PIN OUT
A	CONN.	PIN 1



- NOTES:
1. WATERPROOF RATE: IP67
IP67: IMMERSED IN 1M WATER FOR 30 MINUTES
 2. RATING:125V 1.5A
 3. OTHER GENERAL SPEC. TO REFER "RJ45 SERIES SPEC".
 4. TO CONFORM TO SINGATRON HAZARDOUS SUBSTANCE FREE SPEC.
 5. GREEN PRODUCT IDENTIFICATION LABEL ON PACKAGING: **GREEN**
 6. RJ45 PLUG FOR WIRE OD: 4.0~6.3mm
 7. TIGHTENING TORQUES: 0.8~1.0Nm
 8. LASE DATE CODE "YYMMDD" ON TOP OF CONN.

DATE CODE: YYMMDD
DAY MONTH YEAR



G	CABLE	1	CAT.6A SFTP 26AWG*4P +AI/My+B OD6.2	BLACK (UL813)
F	RJ45 PLUG	1	CAT.6A RJ45 PLUG	N/A
E	GASKET	1	SILICONE	BLACK
D	CLAMP RING	1	PA66	BLACK
C	LOCK NUT	1	PA66	BLACK
B	SEAL	1	EPDM	BLACK
A	SEALING NUT	1	PA66	BLACK
NO	DESCRIPTION	QTY	MATERIAL	PLATING & COLOR

UNLESS OTHERWISE SPECIFIED TOLERANCES

DECIMALS: ANGLES:

X :±0.5 X :±2°
X.X :±0.3 X.X :±1°
X.XX :±0.2

Suzhou Singatron Auto Electronics CO.,LTD.
蘇州信營汽車電子有限公司

TITLE WATERPROOF RJ45 CAT.6A PLUG LOCK TYPE
CABLE ASSEMBLY

DWN MF PART NO.:27J3021-W05101H
CHKD JF SCALE 1:1 UNIT: mm
APVD Steve SIZE: A3 SHEET:1 OF 1 REV: B

CUSTOMER COPY