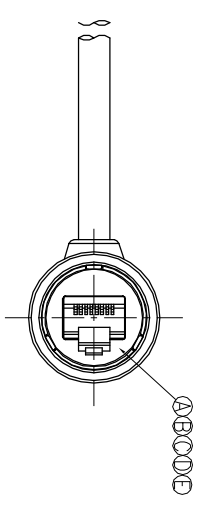
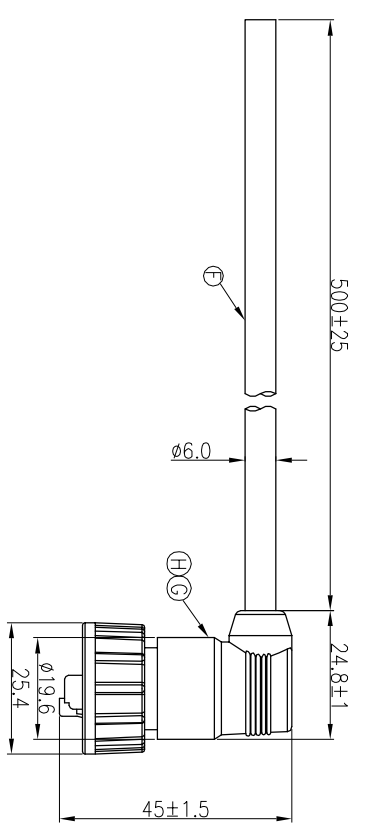
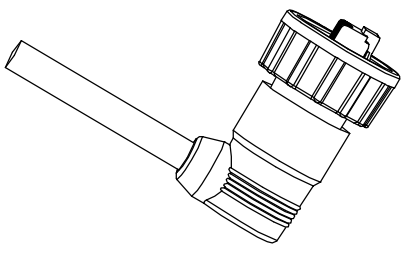
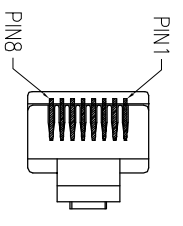


REV:	E	CN NO OR DESCRIPTION	REVISED	DATE
A	PDR NO.:A201012-3A		RZ	2021.07.15



WATERPROOF RATE: IP67
CONN.

SHIELD	DRAIN	
8	BROWN	Twist
7	BROWN/WHITE	Twist
6	GREEN	Twist
5	BLUE/WHITE	Twist
4	BLUE	Twist
3	GREEN/WHITE	Twist
2	ORANGE	Twist
1	ORANGE/WHITE	Twist
CONN.	WIRE COLOR	
	PIN OUT	



Pin Assignments
Front View

- NOTES:
1. WATERPROOF RATE: IP67(WHEN PROPERLY MATED)
 2. RATING: 125V 1.5A
 3. SPECIFICATIONS:SEE "RJ45 SERIES SPECIFICATIONS".
 4. TO CONFORM TO SINGATRON HAZARDOUS SUBSTANCE FREE SPEC.
 5. GREEN PRODUCT IDENTIFICATION LABEL ON PACKAGING: **RoHS Pass**

H	INNER MOLD	1	TPU	NATURAL
G	OVER MOLD	1	PVC	BLACK
F	CABLE	1	UL CAT5E FTP 24#* 4P+D+AL/MY OD:6.0	BLACK(PVC JACKET)
E	RJ45 PLUG	1	8P8C SHIELD	N/A
D	GASKET	1	SILICONE	BLACK
C	BODY	1	PLASTIC	BLACK
B	SCREW NUT	1	NYLON	BLACK
A	SEAL	1	SILICONE	BLACK
NO	DESCRIPTION	QTY	MATERIAL	PLATING & COLOR
UNLESS OTHERWISE SPECIFIED TOLERANCES				
Suzhou Singtron Auto Electronics CO.,LTD. 苏州信通汽车电子有限公司				
DECIMALS:	ANGLES:	TITLE		
X :±0.5	X :±.2°	WATERPROOF RJ45 PLUG 90° MOLDING WITH CABLE		
XX :±0.3	XX :±.1°	DMN	RZ	PART NO.:2TJ3021-W05102H
XX :±0.2		CHKD	JF	SCALE 1:1 UNIT: mm
		APVD	JF	SIZE: A4 SHEET:1 OF 1 REV: A

CUSTOMER COPY