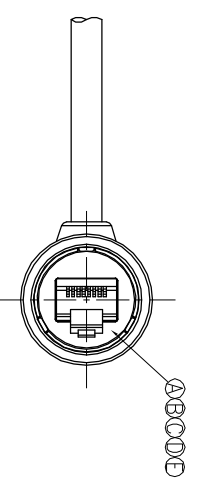
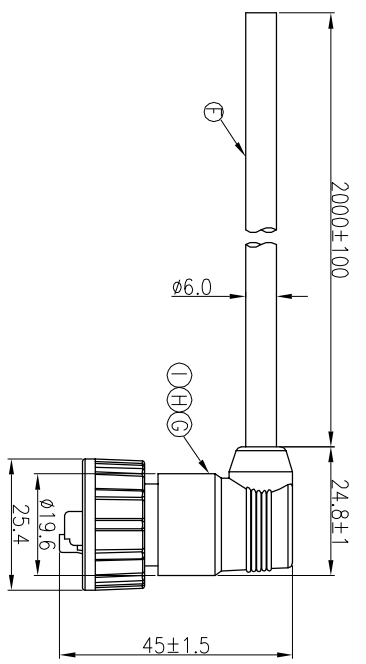
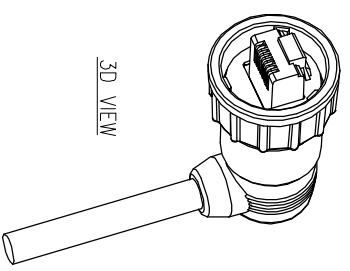


REV.	ECN NO OR DESCRIPTION	REVISED	DATE
A	PDR NO.:A210406-2C	JAY	2021.10.13

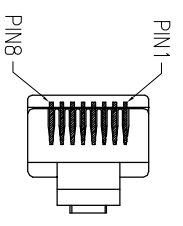


SHIELD	DRAIN
8	BROWN
7	BROWN/WHITE
6	GREEN
5	BLUE/WHITE
4	BLUE
3	GREEN/WHITE
2	ORANGE
1	ORANGE/WHITE
CONN.1	WIRE COLOR
	PIN OUT

Twist  
Twist  
Twist

NOTES:

1. WATERPROOF RATE: IP67(WHEN PROPERLY MATED)  
IP67: IMMERSED IN 1M WATER FOR 30 MINUTES
2. RATING: 125V 1.5A
3. SPECIFICATIONS:SEE "RJ45 SERIES SPECIFICATIONS".
4. TO CONFORM TO SINGATRON HAZARDOUS SUBSTANCE FREE SPEC.
5. GREEN PRODUCT IDENTIFICATION LABEL ON PACKAGING:



Pin Assignments  
Front View

CONN.  
WATERPROOF RATE: IP67

I	LIQUID GLUE	1	JAY723	BLACK
H	OVER MOLD	1	PVC 60P	BLACK
G	INNER MOLD	1	TPU BASF S98A	NATURAL
F	CABLE	1	UL CAT5E FTP 24#* 4P+D+AL/MY OD:6.0	BLACK(PVC JACKET)
E	RJ45 PLUG	1	8P8C SHIELD	N/A
D	GASKET	1	SILICONE SHORE A 70°	BLACK
C	BODY	1	PC 9330	BLACK
B	SCREW NUT	1	PA66 FR370	BLACK
A	SEAL	1	SILICONE SHORE A 70°	BLACK
NO	DESCRIPTION	QTY	MATERIAL	PLATING & COLOR
 Suzhou Singatron Auto Electronics CO.,LTD. 蘇州信益汽車電子有限公司				
UNLESS OTHERWISE SPECIFIED TOLERANCES				
DECIMALS:	ANGLES:			
X :±0.5	X :±2°			
XX :±0.3	XX :±1°			
XXX :±0.2				
TITLE WATERPROOF RJ45 PLUG 90° MOLDING WITH CABLE				
DWN	JAY	PART NO.:	27J3021-W05103H	
CHKD	JF	SCALE	1:1	UNIT: mm
APVD	Steve	SIZE:	A4	SHEET: 1 OF 1
REV: A				
CUSTOMER COPY				