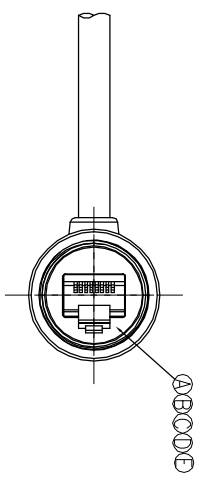
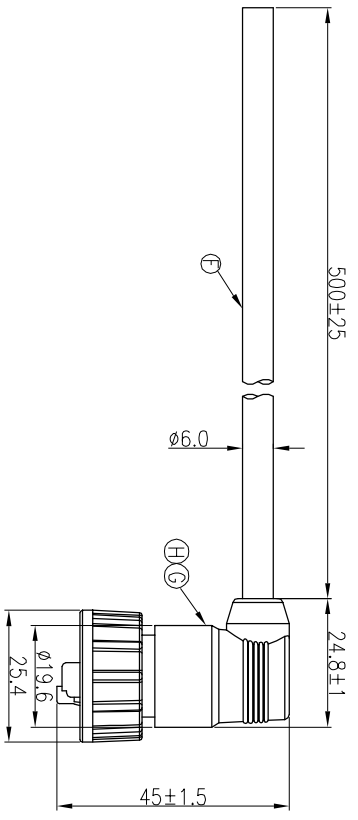
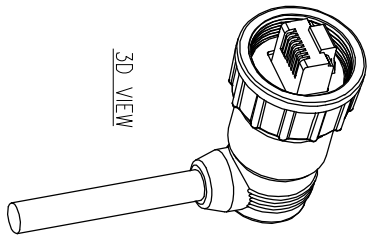


REV.	ECN NO OR DESCRIPTION	REVISED	DATE
A	PDR NO.:A201012-3B	RZ	2021.10.14



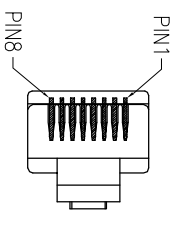
SHIELD	DRAIN
8	BROWN
7	BROWN/WHITE
6	GREEN
5	BLUE/WHITE
4	BLUE
3	GREEN/WHITE
2	ORANGE
1	ORANGE/WHITE
CONN.	WIRE COLOR
	PIN OUT

Twist
Twist
Twist
Twist

NOTES:

1. WATERPROOF RATE: IP67(WHEN PROPERLY MATED)
IP67: IMMERSED IN 1M WATER FOR 30 MINUTES
2. RATING: 125V 1.5A
3. SPECIFICATIONS:SEE "RJ45 SERIES SPECIFICATIONS".
4. TO CONFORM TO SINGATRON HAZARDOUS SUBSTANCE FREE SPEC.
5. GREEN PRODUCT IDENTIFICATION LABEL ON PACKAGING: **RoHS Pass**

Pin Assignments
Front View



WATERPROOF RATE: IP67
CONN.

H	INNER MOLD	1	TPU	NATURAL
G	OVER MOLD	1	PVC	BLACK
F	CABLE	1	UL CAT5E FTP 24#* 4P+D+AL/MY OD:6.0	BLACK(PVC JACKET)
E	RJ45 PLUG	1	8P8C SHIELD	N/A
D	GASKET	1	SILICONE	BLACK
C	BODY	1	PLASTIC	BLACK
B	SCREW NUT	1	PLASTIC	BLACK
A	SEAL	1	SILICONE	BLACK
NO	DESCRIPTION	QTY	MATERIAL	PLATING & COLOR
UNLESS OTHERWISE SPECIFIED TOLERANCES				
Suzhou Singtron Auto Electronics CO.,LTD. 蘇州信通汽車電子有限公司				
DECIMALS:	ANGLES:	TITLE WATERPROOF RJ45 PLUG 90° MOLDING WITH CABLE		
X :±0.5	X :±2'	DMN	RZ	PART NO.:2TJ3022-W05100H
X.X :±0.3	X.X :±1'	CHKD	JF	SCALE 1:1 UNIT: mm
X:XX :±0.2		APVD		SIZE: A4 SHEET:1 OF 1 REV: A

CUSTOMER COPY