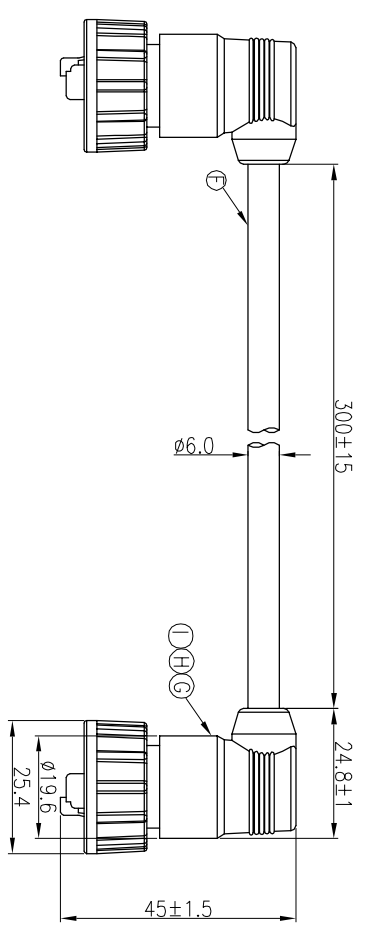
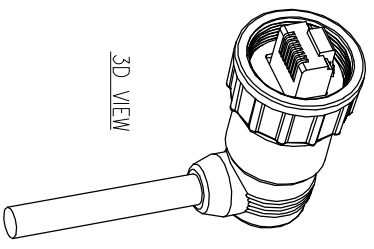
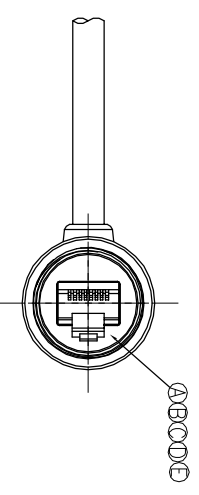


REV.	ECN NO OR DESCRIPTION	REVISED	DATE
A	PDR NO.:A210406-2B	JAY	2021.06.16



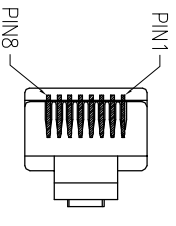
CONN.2
WATERPROOF RATE: IP67



CONN.1
WATERPROOF RATE: IP67

CONN.1&2	WIRE COLOR	PIN OUT
1	ORANGE/WHITE	
2	ORANGE	Twist
3	GREEN/WHITE	
4	BLUE	Twist
5	BLUE/WHITE	Twist
6	GREEN	
7	BROWN/WHITE	Twist
8	BROWN	
SHIELD		

CONN.1&2



Pin Assignments
Front View

NOTES:

1. WATERPROOF RATE: IP67(WHEN PROPERLY MATED)
IP67: IMMERSED IN 1M WATER FOR 30 MINUTES
2. RATING: 125V 1.5A
3. SPECIFICATIONS:SEE "RJ45 SERIES SPECIFICATIONS."
4. TO CONFORM TO SINGATRON HAZARDOUS SUBSTANCE FREE SPEC.
5. GREEN PRODUCT IDENTIFICATION LABEL ON PACKAGING:

NO	DESCRIPTION	QTY	MATERIAL	PLATING & COLOR
I	LIQUID GLUE	2	N/A	BLACK
H	INNER MOLD	2	TPU	NATURAL
G	OVER MOLD	3	PVC	BLACK
F	CABLE	1	UL CAT5E FTP 24#* 4P+D+AL/MY OD:6.0	BLACK(PVC JACKET)
E	RJ45 PLUG	2	8P8C SHIELD	N/A
D	GASKET	2	SILICONE	BLACK
C	BODY	2	PLASTIC	BLACK
B	SCREW NUT	2	PLASTIC	BLACK
A	SEAL	2	SILICONE	BLACK
NO	DESCRIPTION	QTY	MATERIAL	PLATING & COLOR

UNLESS OTHERWISE SPECIFIED TOLERANCES

DECIMALS: ANGLES:

X :±0.5 X :±2°
X.X :±0.3 X.X :±1°
X.XX :±0.2 X.XX :±1°

Suzhou Singatron Auto Electronics CO.,LTD.
蘇州信音汽車電子有限公司

WATERPROOF Rj45 PLUG 90° MOLDING WITH CABLE

JAY

PART NO.:2T13022-W05101H

SCALE 1:1 UNIT: mm

SIZE: A4 SHEET:1 OF 1 REV: A

CUSTOMER COPY