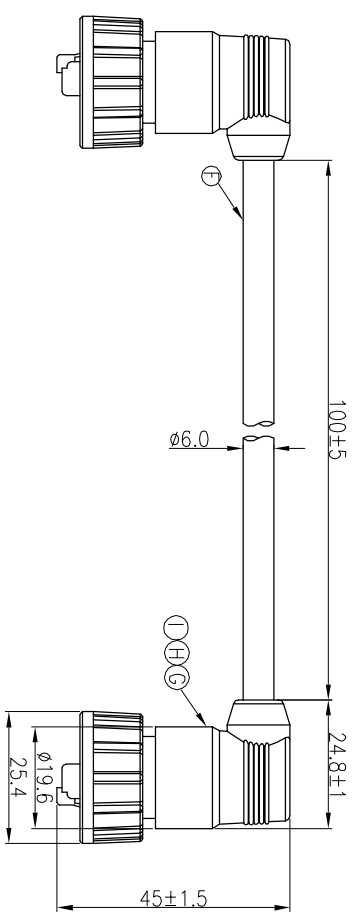
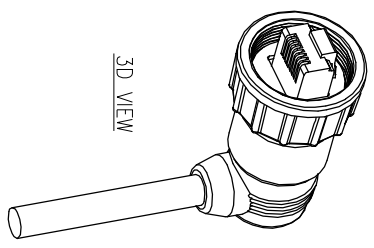
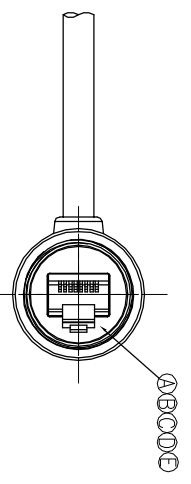


REV.	ECN NO OR DESCRIPTION	REVISED	DATE
A	PDR NO.:A210406-2D	JAY	2021.10.13



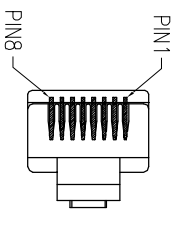
CONN.2
WATERPROOF RATE: IP67



CONN.1
WATERPROOF RATE: IP67

SHIELD	DRAIN	
8	BROWN	Twist
7	BROWN/WHITE	Twist
6	GREEN	Twist
5	BLUE/WHITE	Twist
4	BLUE	Twist
3	GREEN/WHITE	Twist
2	ORANGE	Twist
1	ORANGE/WHITE	Twist
CONN.1&2	WIRE COLOR	PIN OUT

CONN.1&2



Pin Assignments
Front View

NOTES:

1. WATERPROOF RATE: IP67(WHEN PROPERLY MATED)
2. RATING: 125V 1.5A
3. SPECIFICATIONS:SEE "RJ45 SERIES SPECIFICATIONS".
4. TO CONFORM TO SINGARON HAZARDOUS SUBSTANCE FREE SPEC.
5. GREEN PRODUCT IDENTIFICATION LABEL ON PACKAGING: **RoHS**

I	LIQUID GLUE	2	N/A	BLACK
H	INNER MOLD	2	TPU	NATURAL
G	OVER MOLD	3	PVC	BLACK
F	CABLE	1	UL CAT5E FTP 24#* 4P+D+AL/RY OD:6.0	BLACK(PVC JACKET)
E	RJ45 PLUG	2	8P8C SHIELD	N/A
D	GASKET	2	SILICONE	BLACK
C	BODY	2	PLASTIC	BLACK
B	SCREW NUT	2	PLASTIC	BLACK
A	SEAL	2	SILICONE	BLACK
NO	DESCRIPTION	QTY	MATERIAL	PLATING & COLOR
UNLESS OTHERWISE SPECIFIED TOLERANCES				
Suzhou Singtron Auto Electronics CO.,LTD. 蘇州新通汽車電子有限公司				
DECIMALS:	ANGLES:	TITLE		
X :±0.5	X :±2'	WATERPROOF RJ45 PLUG 90° MOLDING WITH CABLE		
X.X :±0.3	X.X :±1'	DMN	JAY	PART NO.:27J3022-W05102H
X:XX :±0.2		CHKD	JF	SCALE 1:1 UNIT: mm
		APVD	Stewe	SIZE: A4 SHEET:1 OF 1 REV: A

CUSTOMER COPY