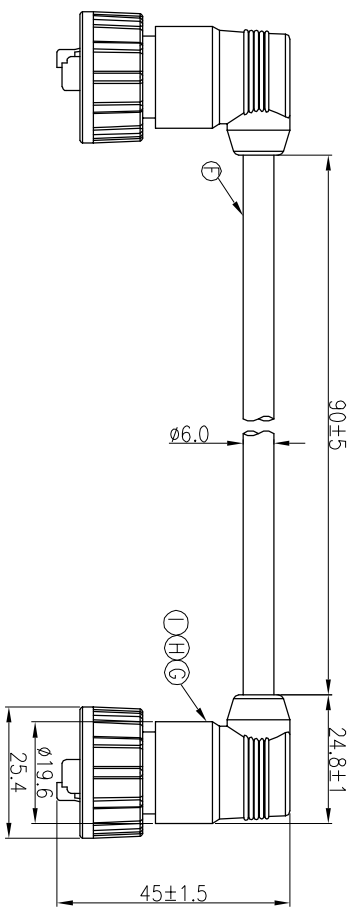
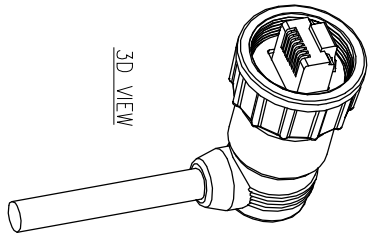
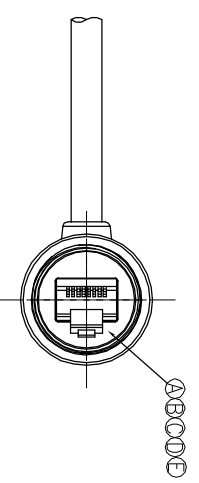


REV	ECN NO	OR DESCRIPTION	REVISED	DATE
A	PDR NO.:A210406-2E		JAY	2021.10.13



CONN.2
WATERPROOF RATE: IP67

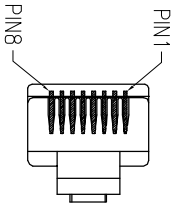


CONN.1
WATERPROOF RATE: IP67

SHIELD	DRAIN
8	BROWN
7	BROWN/WHITE
6	GREEN
5	BLUE/WHITE
4	BLUE
3	GREEN/WHITE
2	ORANGE
1	ORANGE/WHITE
CONN.1&2	WIRE COLOR
	PIN OUT

Twist
Twist
Twist

CONN.1&2



Pin Assignments
Front View

- NOTES:
1. WATERPROOF RATE: IP67(WHEN PROPERLY MATED)
IP67: IMMersed IN 1M WATER FOR 30 MINUTES
 2. RATING: 125V 1.5A
 3. SPECIFICATIONS:SEE "RJ45 SERIES SPECIFICATIONS".
 4. TO CONFORM TO SINGATRON HAZARDOUS SUBSTANCE FREE SPEC.
 5. GREEN PRODUCT IDENTIFICATION LABEL ON PACKAGING:

I	LIQUID GLUE	2	N/A	BLACK
H	INNER MOLD	2	TPU	NATURAL
G	OVER MOLD	3	PVC	BLACK
F	CABLE	1	UL CAT5E FTP 24#* 4P+D+AL/MY OD:6.0	BLACK(PVC JACKET)
E	RJ45 PLUG	2	8P8C SHIELD	N/A
D	GASKET	2	SILICONE	BLACK
C	BODY	2	PLASTIC	BLACK
B	SCREW NUT	2	PLASTIC	BLACK
A	SEAL	2	SILICONE	BLACK
NO	DESCRIPTION	QTY	MATERIAL	PLATING & COLOR

UNLESS OTHERWISE SPECIFIED TOLERANCES

DECIMALS:	ANGLES:
X :±0.5	X :±2°
XX :±0.3	XX :±1°
XXX :±0.2	

TITLE	WATERPROOF RJ45 PLUG 90° MOLDING WITH CABLE
DWN	JAY
CHKD	JF
APVD	Steve
PART NO.:	27J3022-W05103H
SCALE	1:1
UNIT:	mm
SHEET:	1 OF 1
REV:	A

CUSTOMER COPY