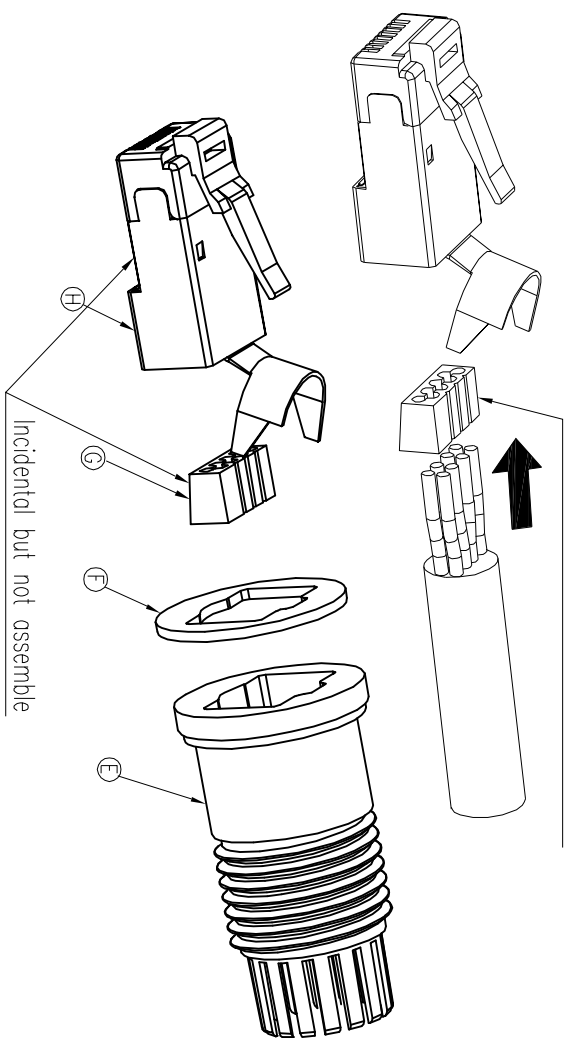
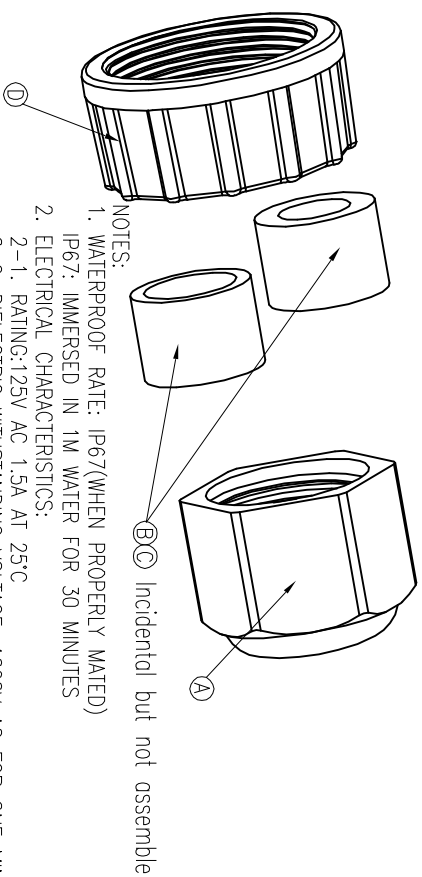


Direction of crystal head assembly:
the side with notch on the bracket
is upward during assembly



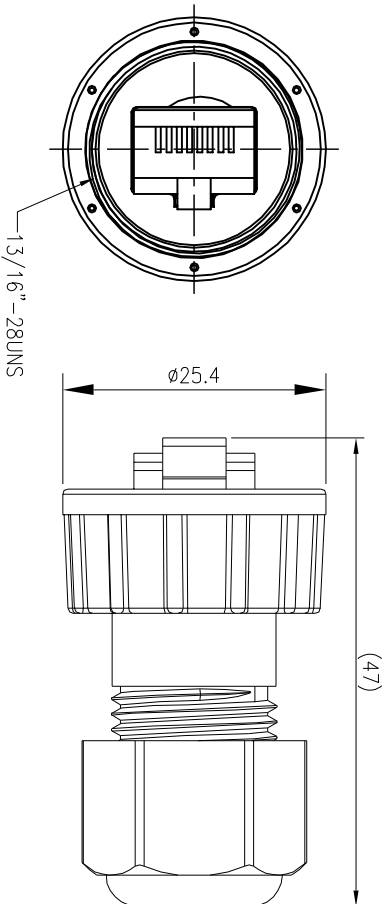
Incidental but not assemble



Incidental but not assemble

NOTES:
1. WATERPROOF RATE: IP67(WHEN PROPERLY MATED)
IP67: IMMERSED IN 1M WATER FOR 30 MINUTES
2. ELECTRICAL CHARACTERISTICS:
2-1. RATING:125V AC 1.5A AT 25°C
2-2. DIELECTRIC WITHSTANDING VOLTAGE: 1000V AC FOR ONE MINUTE
2-3. INSULATION RESISTANCE: 500M Ω MIN. MEASURED BY 100 VDC
3. MECHANICAL CHARACTERISTIC:
3-1.INSERTION FORCE&WITHDRAWAL FORCE: 30N MAX
3-2.DURABILITY: 750 CYCLES MIN
3-3.OPERATING AMBIENT TEMPERATURE:-40°C~70°C

4. SEAL-1 ID Ø7.1mm FOR CABLE: OD Ø5.0mm~Ø7.0mm
5. SEAL-2 ID Ø9.1mm FOR CABLE: OD Ø7.0mm~Ø9.0mm
6. RJ45 PLUG FOR WIRE OD: Ø1.05~Ø1.15.
7. OTHER GENERAL SPEC. TO REFER "RJ45 SERIES SPEC".
8. TO CONFORM TO SINGATRON HAZARDOUS SUBSTANCE FREE SPEC.
9. GREEN PRODUCT IDENTIFICATION LABEL ON PACKAGING:



NO	DESCRIPTION	QTY	MATERIAL	PLATING & COLOR
A	SEALING NUT	1	PA66 F1	BLACK
B	SEAL-1	1	Silicone UL94V-0	DARK GRAY
C	SEAL-2	1	Silicone UL94V-0	DARK GRAY
D	SCREW NUT	1	PA66 F1	BLACK
E	CLAMP RING	1	PC F1	BLACK
F	GASKET	1	Silicone UL94V-0	DARK GRAY
G	BRACKET	1	PC UL94V-0	TRANSPARENCY
H	RJ45 PLUG	1	CAT.6A SHIELD PLUG	CONTACT MATERIAL: PHOSPHOR BRONZE (319) 50μ" GOLD PLATING OVER NICKEL

UNLESS OTHERWISE SPECIFIED TOLERANCES

DECIMALS:	ANGLES:
X :±0.5	X :±2°
X.X :±0.3	X.X :±1°
X.XX :±0.2	

TITLE	WATERPROOF RJ45 PLUG
DWN	RZ
CHKD	Jun
APVD	JF

Suzhou Singatron Auto Electronics CO.,LTD.
蘇州信音汽車電子有限公司

PART NO. 27J3023-W05100H
SCALE 1:1 UNIT: mm
SIZE: A4 SHEET: 1 OF 3 REV: A

CUSTOMER COPY

REV	ECN NO	OR DESCRIPTION	REVISED	DATE
A	PDR NO.:C210204-2A	RZ		2021.12.28

1 2 3 4 5 6 7 8

REV.	ECN NO.	OR DESCRIPTION	REVISED	DATE
A	PDR NO.:C210204-2A		RZ	2021.12.28

SPECIFICATIONS(ONLY FOR RJ45 PLUG)

- 1.ELECTRICAL:
UL APPLICATIONS: 250 VOLTS AC MAX. AT 2AMPS.DIELECTRIC WITHSTANDING VOLTAGE:1000 VOLTS AC 60 SEC INSULATION RESISTANCE:500M ohm
CONTACT RESISTANCE: 20m ohm MAX.
OPERATING AMBIENT TEMPERATURE: -40C~70°C.
- 2.MECHANICAL:
STRAIN RELIEF:20POUND MIN.
DURABILITY:1200 MATING CYCLES.

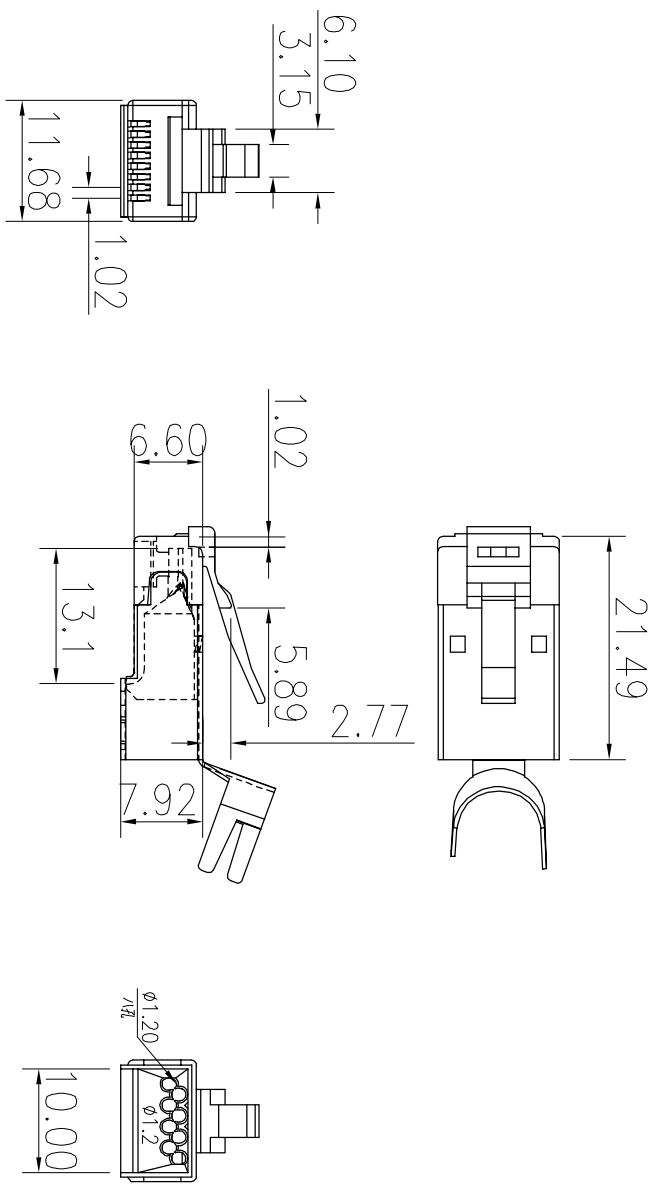
3.MATERIAL:

HOUSING:POLYCARBONATE,UL94V-0.
COLOR:TRANSPARENT OR OTHER COLOR ARE AVAILABLE.
CONTACT BLADE:PHOSPHOR BRONZE.

- 4.USAGE:
SUITABLE FOR STRANDED&SOLID WIRE 23AWG
(It can be used for the wire OD from $\phi 1.05\sim\phi 1.15$)

規範

- 1.電氣特性:
UL應用: 250V VOLTS AC, 最大2AMPS
耐電壓: 1000V VOLTS AC.60S
絕緣阻抗: 500百萬歐姆
接觸阻抗: 小於20毫歐姆
工作環境溫度: -40°C~70°C
- 2.機械特性:
拉力測試: 大於20磅
插拔測試: 大於1200次
- 3.材質:
塑膠層: 聚碳酸酯, UL94V-0
顏色: 透明, 或依客戶需求
金片: 磷青銅
- 4.適用線材:
多股絞線 電線線 23AWG適用
(芯線直徑: $\phi 1.05\sim\phi 1.15$ 均可適用)



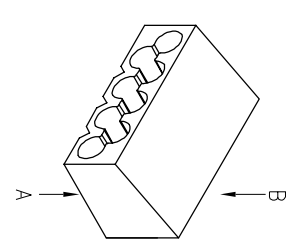
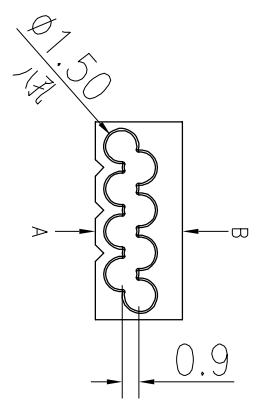
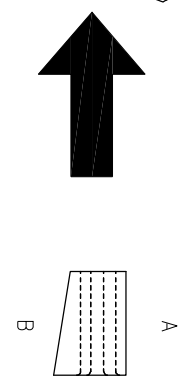
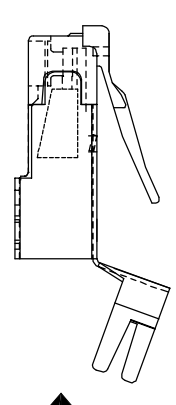
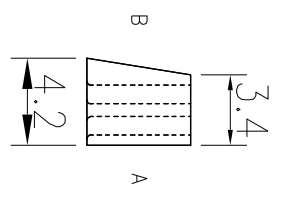
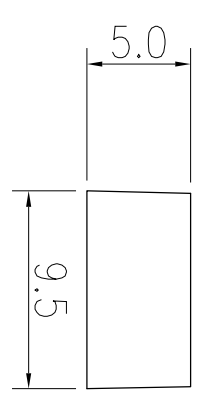
BLADE:	E	EB	Y	YB	Z	A	AE	AB	EC
Drawing									
Mark					✓				
GOLD PLATING	3Mu "	3u "	6u "	15u "	30u "	50u "		CABLE TYPE Mark	
Mark					✓			ROUND	FLAT

DIMENSION IN mm(Inch)	
Tolerance Unless OTHERWISE SPECIFIED	
.X±0.20	.X±.5°
.XX±0.10	.XX±.2°

H	RJ45 PLUG	QTY	1	CAT.6A SHIELD PLUG	CONTACT MATERIAL	PHOSPHOR BRONZE (C319)
NO	DESCRIPTION	QTY		MATERIAL	PLATING & COLOR	
UNLESS OTHERWISE SPECIFIED TOLERANCES						
DECIMALS:		ANGLES:				
X	:±0.5	X	:±2°			
X.X	:±0.3	X.X	:±1°			
X.XX	:±0.2					
TITLE	WATERPROOF RJ45 PLUG					
DWN	RZ	PART NO.27J3023-W05100H				
CHKD	Jun	SCALE	1:1	UNIT:	mm	
APVD	JF	SIZE:	A4	SHEET:	2 OF 3	REV: A
CUSTOMER COPY						


Suzhou Singatron Auto Electronics CO.,LTD.
蘇州信音汽車電子有限公司

REV.	EGN NO	OR DESCRIPTION	REVISED	DATE
A	PDR NO.:C210204-2A		RZ	2021.12.28



DIMENSION IN mm(Inch)	
Tolerance Unless OTHERWISE SPECIFIED	
.X±0.20	.X±.5°
.XX±0.10	.XX±.2°

DECIMALS:	ANGLES:
X : ±0.5	X : ±2°
X.X : ±0.3	X.X : ±1°
X.XX : ±0.2	

G	BRACKET	1	PC	TRANSPARENCY
NO	DESCRIPTION	QTY	MATERIAL	PLATING & COLOR
UNLESS OTHERWISE SPECIFIED TOLERANCES				
 Suzhou Singatton Auto Electronics CO.,LTD. 蘇州信營汽車電子有限公司				
TITLE WATERPROOF RJ45 PLUG				
DWN	RZ	PART NO. 2TJ3023-W05100H		
CHKD	Jun	SCALE 2:1	UNIT: mm	
APVD	JF	SIZE: A4	SHEET: 3 OF 3	REV: A
CUSTOMER COPY				