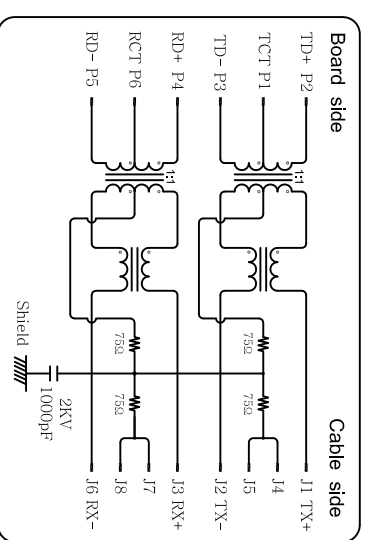


**Schematics:**



- SPECIFICATIONS:**
- ELECTRICAL CHARACTERISTICS:**  
 Test Notes:(25±5°C)  
 1. TR:(100KHz,0.1V): Pns:(P2-P3):(1-12)=1:1±3% Pns:(P4-P5):(3-16)=1:1±3%  
 2.LX: (100KHz,100mV,8mA, Dc Bias) Pns:(P2-P3):(P4-P5)=350dH Minimum  
 3.DCR: Pns:(1-12):(3-16)=1:2 Ohm Maximum  
 4.HPOUT: Pns:(P2,P3)To(G1,J2)=1500VAC For 60 Seconds Pns:(P4,P5)To(G3,J6)=1500VAC For 60 Seconds  
 5.INSERTION LOSS: -1.0dB Maximum At 1MHz To 100MHz  
 6.RETURN LOSS:  
 -18dB Minimum At 1MHz To 30MHz;  
 -16dB Minimum At 30MHz To 60MHz;  
 -12dB Minimum At 60MHz To 80MHz  
 7.CROSS TALK: -30dB Minimum At 1MHz To 100MHz  
 8.COMMON TO COMMON MODE REJECTION:  
 -30dB Minimum At 1MHz To 100MHz  
 9. LIFE TEST: 750 CYCLES  
 10. OPERATING TEMPERATURE: -40C TO +85C.  
 11. OTHER GENERAL SPEC. TO REFER "21J3102 SERIES SPEC"  
 12. TO CONFORM TO THE SINGATRON HAZARDOUS SUBSTANCE FREE SPEC.  
 13. GREEN PRODUCT IDENTIFICATION LABEL ON PACKAGING: **G.P. PASS**  
 14. PACKAGE: SEE "21J3102 SERIES" PACKAGE.  
 15. FOR WAVE SOLDERING LEAD-FREE PROCESS.  
 16. MATES WITH MODULAR PLUG CONFORMING TO FCC PART 68, SUBPART F.

**PART NO.**  
21J3102-008111H

- SUFFIX: HALOGEN
- PACKAGE I: TRAY
- HOUSING COLOR I: BLACK
- CONTACT PLATING I: GOLD FLASH PLATED ON CONTACT AREA; TIN PLATED ON SOLDER AREA

Board side	Cable side
U1 Vibus	D-
U2	D+
U3	D+
U4	GND

Board side	Cable side
TD+ P2	J1 TX+
TCT P1	J4
TD- P3	J5
RD+ P4	J12 TX-
RCT P6	J13 RX+
RD- P5	J17
	J18
	J16 RX-

NO	DESCRIPTION	QTY	MATERIAL	PLATING & COLOR
K	INK	-		BLACK
J	PCB	1		
I	SHELL	1	STAINLESS STEEL	TIN PLATED ON SOLDER AREA
H	SCREW	1	SPCC	NICKEL PLATED
G	USB SHELL	1	SPCC	NICKEL PLATED
F	USB CONTACT	4	BRASS	TIN PLATED
E	USB BODY	1	LCP UL 94V-0	BLACK COLOR
D	INPUT CONTACT	6	PHOSPHOR BRONZE	TIN PLATED
C	OUTPUT CONTACT	8	PHOSPHOR BRONZE	SEE PART NO.
B	BASE	1	LCP UL 94V-0	BLACK COLOR
A	HOUSING	1	LCP UL 94V-0	BLACK COLOR
NO	DESCRIPTION	QTY	MATERIAL	PLATING & COLOR

UNLESS OTHERWISE SPECIFIED TOLERANCES

信音企業股份有限公司  
Singatron Enterprise Co., Ltd.

TITLE	DECIMALS:	ANGLES:
DWN	: ±0.5	X : ±2°
CHKD	: ±0.3	X.X : ±1°
APVD	: ±0.2	X.XX : ±0.2

RA5 10/100+USB W/TRANSFORMER

PART NO. 21J3102-008111H

SCALE: 1/8"=1mm

SIZE: A3

SHEET: 1 OF 1

REV: A

CUSTOMER COPY

