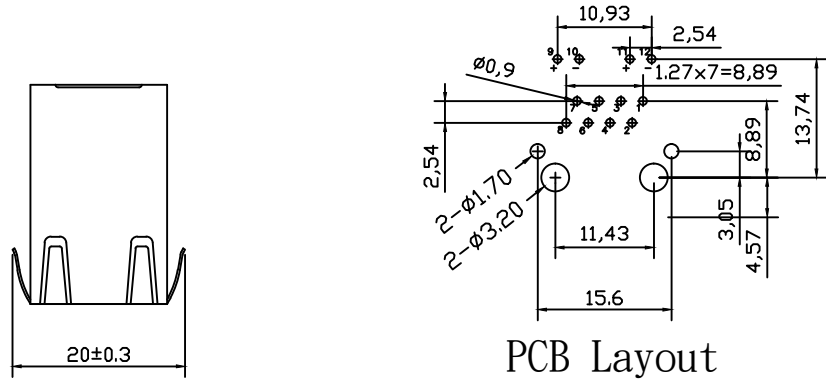
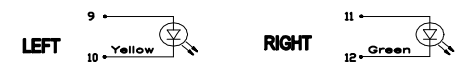
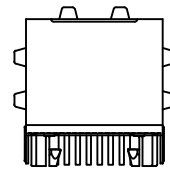
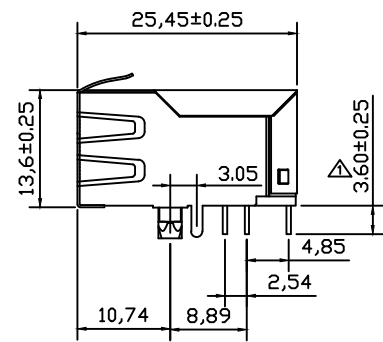
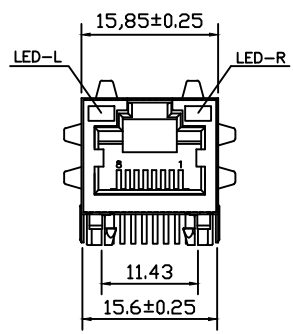




REVISION RECORD				
REV	ECO	DESCRIPTION	DRFT	CHKD

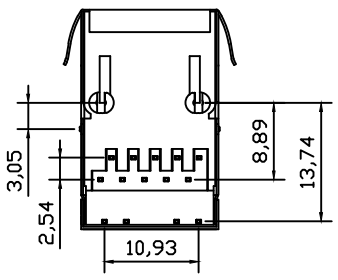


PCB Layout



Standard LED	Wavelength	Forward*V(MAX)	TYP
Green	565nm	2.5v	2.2v
Yellow	565nm	2.5v	2.1v

With a forward current of 20mA



NOTE:

- Shielded - 0.25mm THICKNESS BRASS C2680 H. PLATING NICKEL 30u"-50u".
- Housing- Standard Material Nylon66,Glass Filled Polyester UL94V-0 Standed Color Black.
- Insert Pin- Plastic:PBT UL94V-0,Standard Color Black. Pini:0.35mm Thickness Phos-Bronze C5210 EH. Plating:Nickel40u"~60u" for all and Sn 100% ,and Gold Plating.
- Contact Pin- Plastic:PBT,Glass Filled,UL94V-0, Standard Color Black. Pini:0.35mm SUS430. Plating:Nickel40u"~60u" for all and Sn 100%.

LED Code				
	Left LFD		Right LED	
	+9,-10	-9,+10	+11,-12	-11,+12
A	Green	-	Yellow	-
B	Yellow	-	Green	-
C	Green	-	Green	-
D	-	Green	-	Yellow
E	-	Yellow	-	Green
F	Yellow	-	Orange	Green
G	Orange	Green	Yellow	-
H	Green	-	-	Yellow
0	-	-	-	-

Ordering Code:
 XXXXXX XX XX X X X
 ① ② ③ ④ ⑤ ⑥

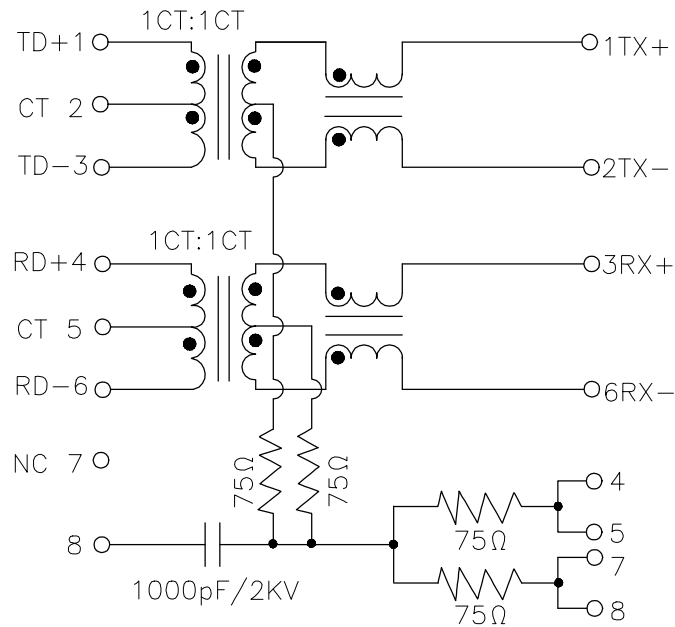
- Series No.
- Transformer Type:
- Shield Type.
- R=低溫料;H=高溫料.
- LED Code: See above table
- RJ45 Plating

DFTO K-Y DATE: 2012/03/20	SINGATRON (U.S.A.)
CHKD W-P-Huang DATE: 2012/03/20	
MFO W-P-Huang DATE: 2012/03/20	
APPVL DATE: 圖檔編號: 顏色:	
MATERIAL:	TITLE 名稱: RJ45 1PORT TRANSFORMER CONNECTOR (With LED 10/100 Base-T)
TREAT: 處理:	DRAWING NO. 圖檔編號: 2TJ475-02J4RB4
Q'TY: 數量:	DRAWING NO. 客戶編號:
SCALE: 比例: 1:1	SIZE REV: A3 B
THIRD ANGLE PROJECTION 第三角	1 of 2

Code	RJ45 Plating		
	Contact Area	Solder tail	Under plating
F	3μ" gold	150μ" Tin Min.	50μ" Nickel
1	6μ" gold		
2	15μ" gold		
3	30μ" gold		
4	50μ" gold		

Schematic:

Type 02

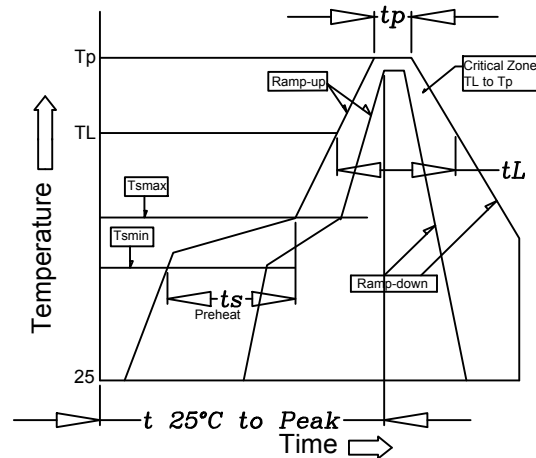


Environmental:

- 1.Storage Temp: -40°C to +85°C.
- 2.Operating Temp: 0°C to +70°C.
- 3.MATES WITH MODULAR PLUG CONFORMING TO FCC PART 68,SUBPARTF.

PROFILE OF WAVE SOLDER :

- 1.Peak temperature(T_p): 250°C±5°C.
- 2.Peak temperature(T_p) time: 5sec max.



REVISION RECORD				
REV	ECO	DESCRIPTION	DRFT	CHKD

ELECTRICAL SPECIFICATIONS@25°C:

- Turn Ratio(±2%): 1:1
- INSERTION LOSS (1-100MHz): -1.0dB MAX.
- Return Loss (dB MIN): -18dB(1-30MHz)
- [18-20LOG(F/30MHz)dB (30-60MHz), -12dB(60-80MHz)
- Cross talk (dB MIN): -50dB(0.5-1MHz),-50dB(10MHz)
- 40dB (30MHz), -35dB (50MHz), -30dB (100MHz)
- CMR(dB MIN): -50dB(0.3-1MHz),-47dB(10MHz)
- 42dB (30MHz), -37dB (60MHz), -30dB (100MHz)
- CDMR(dB MIN): -50dB(0.3-1MHz),-50dB(10MHz)
- 50dB (30MHz), -45dB (60MHz), -40dB (100MHz)
- HI-POT TEST: 1500Vrms/1.0mA/3Sec.
- PRIMARY INDUCTANCE: 350uH MIN @100KHz/0.1V, 8mA
- D.C.BIAS
- RoHS compliance: YES

Part Number:

2TJ475-02J4RB4

- Plating: 4:Gold 50u"
- With LED Type.
- Standard operation temp.
- Locate: rear of 3.05
- With all fingers.
- Transformer Type.
- Series No.

DFTO K-Y DATE: 2012/03/20		SINGATRON (U.S.A.)	
CHKD W-P-Huang DATE: 2012/03/20	MFO W-P-Huang DATE: 2012/03/20		
單位 MM	角處公差	APPVL	DATE:
長度公差 .0 ±0.38 .00 ±0.20 .000 ±0.10	± ± ±	圖檔編號	顏色
THIRD ANGLE PROJECTION 第三角		TREAT:	MATERIAL:
圖例		處理	數量
SCALE: 1:1		客戶編號	比例
DRAWING NO. 2TJ475-02J4RB4		圖檔編號	客戶編號
SIZE A3	REV B	DRAWING NO.	
2 of 2			