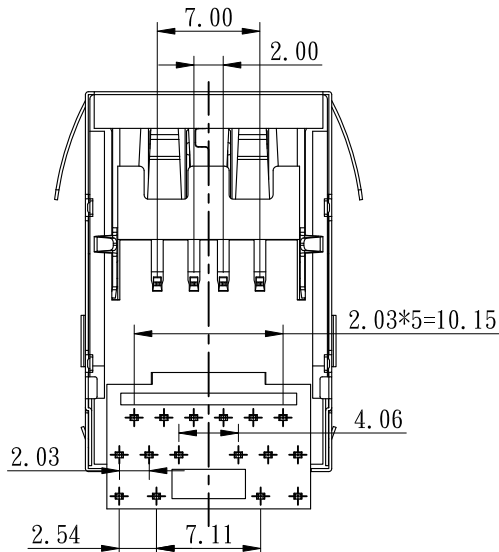
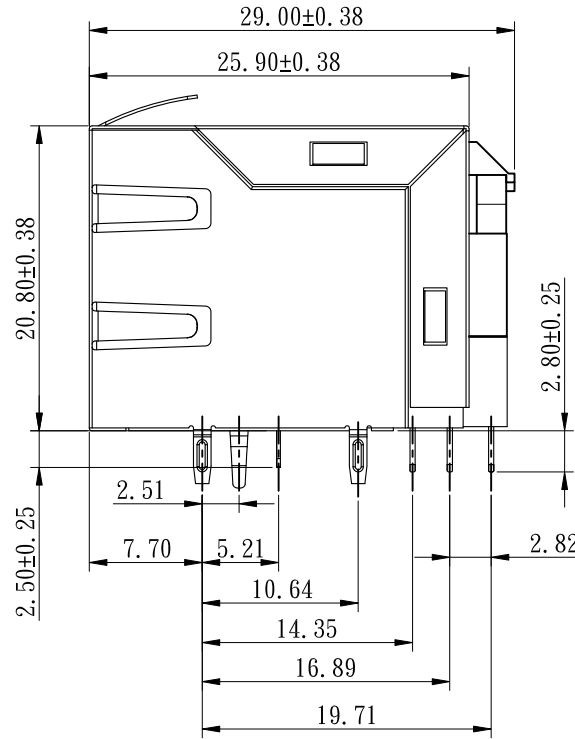
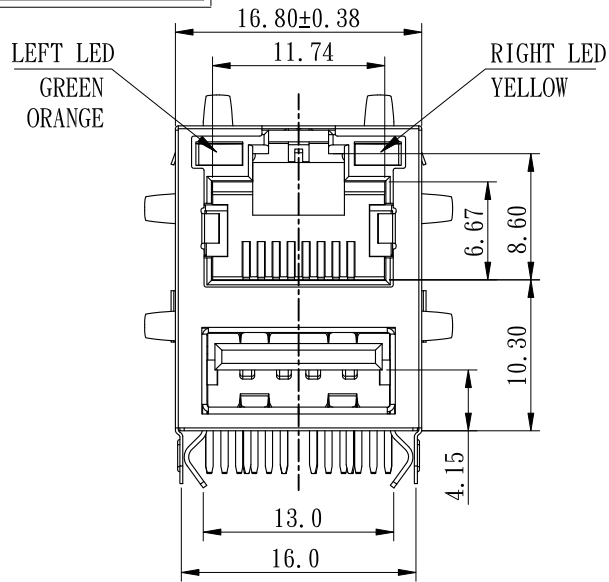


RoHS



NOTE:

- HOUSING : Standard Material Nylon 66, Glass Fiber Filled Polyester UL94V-0 Standard Color Black.
- RJ TERMINAL :
PLASTIC : Standard Material Nylon 66, Glass Fiber Filled Polyester UL94V-0 Standard Color Black.
PIN : 0.35mm Thickness Phosphor Bronze C5210 EH.
PLATING : Nickel 30u"-60u" For All And Sn And Gold Plating 30u".
- INSERT TERMINAL :
PLASTIC : Standard Material Nylon 66, Glass Fiber Filled Polyester UL94V-0 Standard Color Black.
PIN : 0.35mm Thickness Stainless SUS430.
PLATING : Sn All Over 30u"-60u" Nickel
- USB CONTACT : 0.35mm Thickness Phosphor Bronze C5210 EH.
Plating : Nickel 30u"-60u" For All And Sn And Gold Plating 30u".
- SHIELD PARTS :
SHIELD : 0.20mm Thickness Brass C2680 H , Plating Nickel 20u" MIN.
USB KINK : 0.20mm Thickness Stainless SUS430, Unplating.
- LED:

| STANDARD LED | WAVELENGTH | FORWARD VOLTAGE |
|--------------|------------|-----------------|
| GREEN | 565nm | 2.5V MAX |
| YELLOW | 585nm | 2.5V MAX |
| ORANGE | 615nm | 2.5V MAX |

With a forward current of 20mA

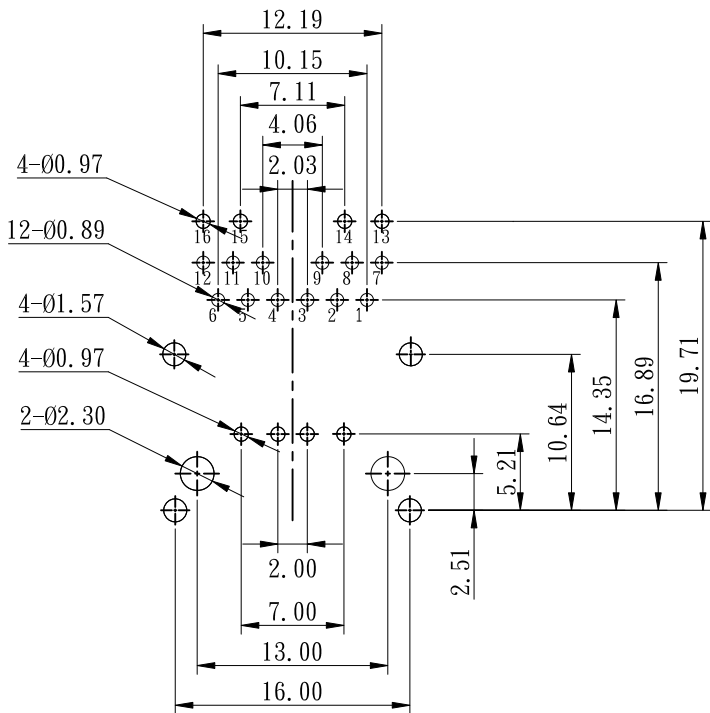
Singatron Enterprise Co., Ltd.

| TITLE | | RJ45 OVER USB TRANSFORMER (1000 BASE-T) JACK | | |
|----------------------|------------------|--|-------------|--------|
| DWN | Flyer 2019/04/30 | PART NO. 2TJ731- G29J4RG33 | | |
| CHKD | Flyer 2019/04/30 | SCALE 1:1 | UNIT: mm | ④ |
| APVD | Angus 2019/04/30 | SIZE: A3 | SHEET: 10F3 | REV: B |
| CUSTOMER COPY | | | | |

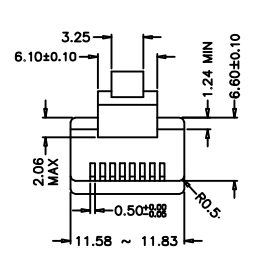
| TOLERANCE | |
|------------|-------------|
| X. | X.XXX ±0.10 |
| X.X ±0.38 | |
| X.XX ±0.20 | Angular ±2° |

| REV. | ECN NO | REVISION RECORD | DRAW | DATE |
|------|--------|------------------|-------|------------|
| B | | Dimension Change | Flyer | 2019/04/30 |

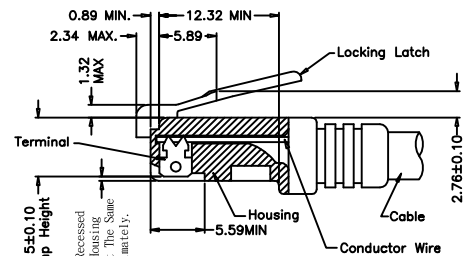
RoHS



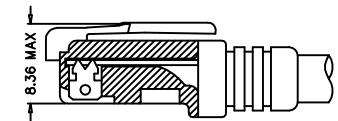
RECOMMENDED PCB LAYOUT
TOLERANCE $\pm 0.05\text{mm}$ (T=1.6mm)



* There Must Be No Damage To Housing Or Locking Latch. There Must Be No Nicks Or Cuts In Cable.
* Durability : 750 Cycles Generally



FOLLOW SPECIFICATION: FCC, PART 68, SUBPART F FIGURE 68.500 (C)(2)(i) AND IEC 609-7 FIGURE 23 & 24
All Contacts Recessed Below Top Of Housing and Must Be At The Same Height Approximately.



FOLLOW SPECIFICATION: FCC, PART 68, SUBPART F FIGURE 68.500 (C)(2)(ii)
STANDARD MODULAR PLUG ASSEMBLY

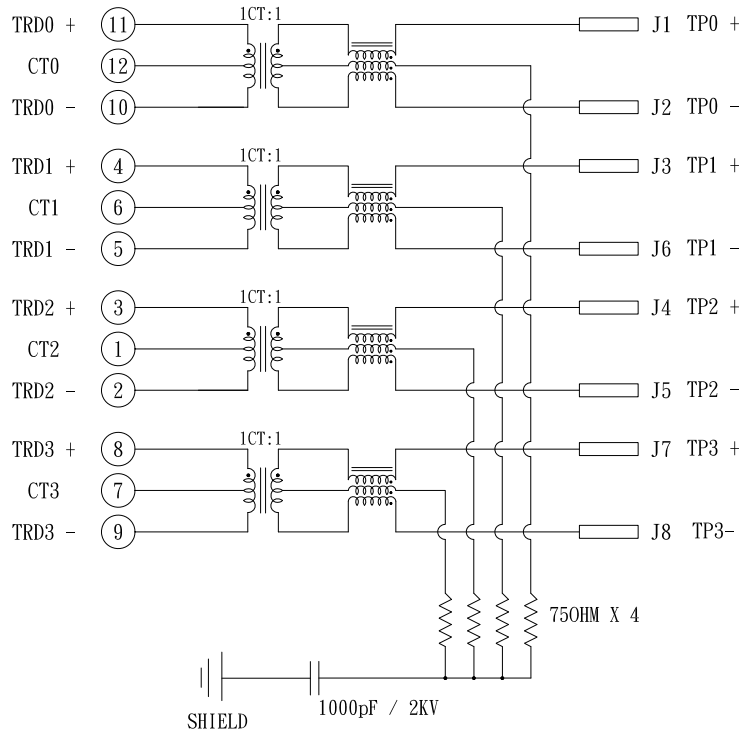
| | | | | |
|------|--------|------------------|-------|------------|
| B | | Dimension Change | Flyer | 2019/04/30 |
| REV. | ECN NO | REVISION RECORD | DRAW | DATE |

| TOLERANCE | |
|-----------|-----------------------|
| X. | X.XXX ± 0.10 |
| X.X | ± 0.38 |
| X.XX | ± 0.20 |
| | Angular $\pm 2^\circ$ |

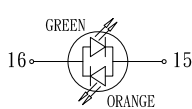
| | | | |
|--|------|------------------|-----------------------------------|
| Singatron Enterprise Co., Ltd. | | | |
| RJ45 OVER USB TRANSFORMER (1000 BASE-T) JACK | | | |
| TITLE | DWN | Flyer 2019/04/30 | PART NO. 2TJ731- G29J4RG33 |
| CHKD | APVD | Flyer 2019/04/30 | SCALE 1:1 UNIT: mm |
| | | Angus 2019/04/30 | SIZE: A3 SHEET: 20F3 REV: B |
| CUSTOMER COPY | | | |

RoHS

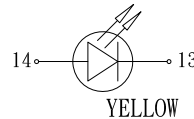
SCHEMATIC: TYPE 731-G29



LEFT LED
16+ 15- GREEN
16- 15+ ORANGE



RIGHT LED
14+ 13- YELLOW



Feature:

- .Operating temperature: -40°C to +85°C
- .Storage temperature: -40°C to +85°C

Electrical Specifications: (25°C)

- Turns Ratio:@100KHz, 0.1V
P11-P10: J1-J2 = 1:1±5%
P4-P5: J3-J6 = 1:1±5%
P3-P2: J4-J5 = 1:1±5%
P8-P9: J7-J8 = 1:1±5%
- OCL: @100KHz, 0.1V, 8mA DC BAIS:350uH Min
- Insertion Loss:
@1~100MHz : -1.0dB Max
@100~125MHz : -1.2dB Max
- Return Loss:
@1~30MHz : -18dB Min
@30~60MHz : -16dB Min
@60~80MHz : -12dB Min
@80~100MHz : -10dB Min
- Crosstalk: @1~100MHz : -30dB Min
- Common Mode Rejection: @1~100MHz : -30dB Min
- Hi-Pot: INPUT TO OUTPUT 1500VAC, 1mA, 60S
- RoHS Compliance: YES

| | | | | |
|------|--------|------------------|-------|------------|
| B | | Dimension Change | Flyer | 2019/04/30 |
| REV. | ECN NO | REVISION RECORD | DRAW | DATE |

| TOLERANCE | |
|------------|-------------|
| X. | X.XXX ±0.10 |
| X.X ±0.38 | |
| X.XX ±0.20 | Angular ±2° |

| | | | | |
|--------------------------------|--|----------|------------------|--------------------|
| Singatron Enterprise Co., Ltd. | | | | |
| TITLE | RJ45 OVER USB TRANSFORMER (1000 BASE-T) JACK | | | |
| DWN | Flyer 2019/04/30 | PART NO. | 2TJ731-G29J4RG33 | |
| CHKD | Flyer 2019/04/30 | SCALE | 1:1 | UNIT: mm |
| APVD | Angus 2019/04/30 | SIZE: | A3 | SHEET: 30F3 REV: B |
| CUSTOMER COPY | | | | |