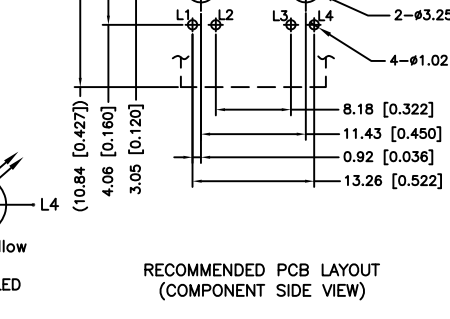
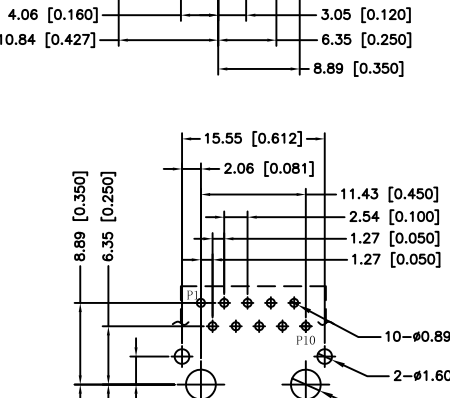
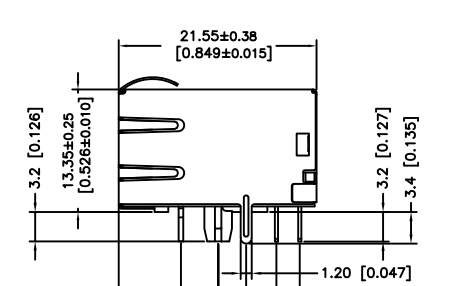
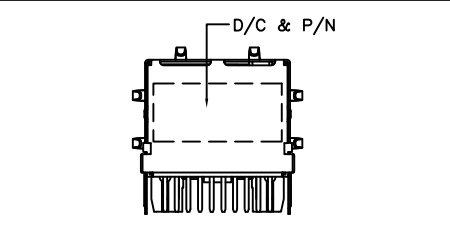
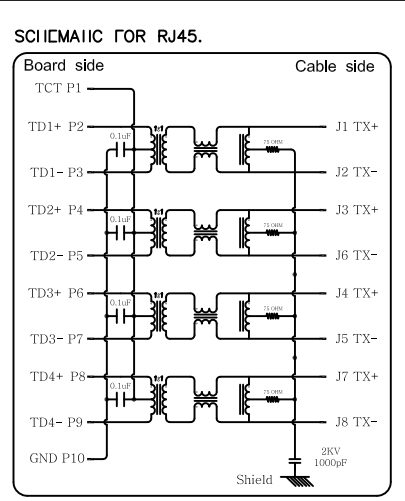


Emitting Color	λp (nm)	Vf @If=20mA	Ir @Vr=5V
Green	565	1.7V~2.6V	10μA max.
Yellow	585	1.7V~2.6V	10μA max.



RECOMMENDED PCB LAYOUT
(COMPONENT SIDE VIEW)



SCHEMATIC FOR RJ45.

PART NO : 2TJ911-0 16 910 15 5 1

Series Code: 2TJ911-0 16 910 15 5 1

Environmental Code: 0: ROHS

Mechanical Code: 16: With All Spring, Post Without Lock

Schematic Code: 910: 910 Circuit

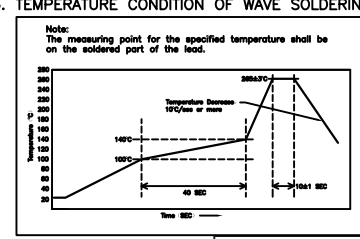
LED Code: 15: LEFT-Green, RIGHT-Green/Yellow

Package Code: 1: Tray

Plating Code: 5: 30u" Au

- ELECTRICAL CHARACTERISTICS :**
- INSERTION LOSS :
 - 1~100 MHz -1.0dB MAX.
 - RETURN LOSS(LOAD 100Ω) :
 - 1~30 MHz -18dB MIN
 - 30~60 MHz -16dB MIN
 - 60~80 MHz -12dB MIN
 - 80~100 MHz -10dB MIN
 - COMMON MODE REJECTION
 - 1~100 MHz -30dB MIN
 - CROSS TALK
 - 1~100 MHz -30dB MIN
 - INDUCTANCE @ 100KHz, 0.1V, 8mA DC BIAS
 - (P2-P3),(P4-P5),(P6-P7),(P8-P9) : 350 uH MIN
 - DCR
 - (J1-J2),(J3-J6),(J4-J5),(J7-J8) : 1.2 Ohm MAX
 - HI-POT TEST
 - PCB SIDE TO CABLE SIDE : 1500VAC 60S OR 2250VDC 60S
 - TURNS RATION 100KHz
 - (P2-P3) : (J1-J2) = 1:1 ±%3
 - (P4-P5) : (J3-J6) = 1:1 ±%3
 - (P6-P7) : (J4-J5) = 1:1 ±%3
 - (P8-P9) : (J7-J8) = 1:1 ±%3

- SPECIFICATIONS :**
- MATERIAL
 - HOUSING : THERMOPLASTIC, PBT+30%GF, UL 94V-0, BLACK
 - MODULE CASE : HIGH TEMPERATURE THERMOPLASTIC, LCP, UL 94V-0, BLACK
 - RJ CONTACTS : PHOSPHOR BRONZE, C5210R-H
 - PLATING : SELECT GOLD ON CONTACT AREA (SEE PART NO), 100U" MIN TIN PLATING ON SOLDER TAILS, 30U"MIN NICKEL OVERALL
 - SOLDER TAIL TERMINAL : BRASS, C2680R-EH
 - PLATING : 100U" TIN MIN 30U"MIN NICKEL OVERALL
 - SHIELD : STAINLESS, SUS304-1/2H, THICKNESS=0.2MM, PRE-SOLDERING
 - ELECTRICAL
 - INSULATION RESISTANCE : 500 MOHMS MIN
 - DIELECTRIC WITHSTANDING VOLTAGE : 1500 VAC FOR 1 MINUTE
 - DURABILITY TEST RATING
 - INSERTION FORCE WITH THE LATCH DEPRESSED : 22N MAX
 - REMOVAL FORCE WITH THE LATCH DEPRESSED : 44N MAX
 - DURABILITY : 750 CYCLES
 - OPERATING AND STORAGE TEMPERATURE
 - OPERATING TEMPERATURE : 0°C TO +70°C
 - STORAGE TEMPERATURE : -40°C TO +85°C
 - TEMPERATURE CONDITION OF WAVE SOLDERING:



HSF COMPLIANT
1-Jul-17

GENERAL TOLERANCE

.X± 0.20	X.*± 1*
.XX± 0.10	.X.*± 0.5*
.XXX±	

Singatron Enterprise Co., Ltd.

TITLE	RJ45 IMC,1000BASF-T,W/LED		
DWN	Tony Zheng	PART NO. 2TJ911-0169101551	
CHKD	Herry	SCALE 1:1	UNIT: mm
APVD	Herry	SIZE: A3	SHEET:1 OF 1 REV: A

CUSTOMER COPY