

1 2 3 4 5 6 7 8

F

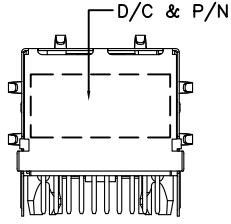
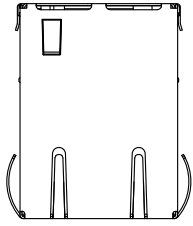
E

D

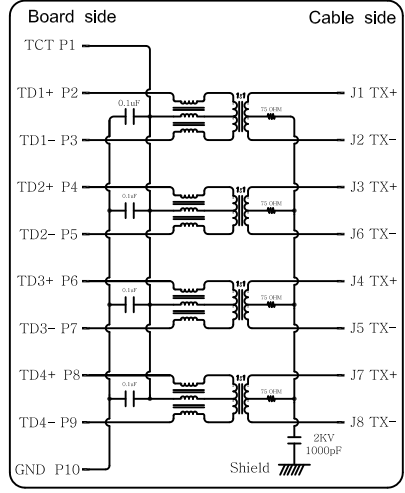
C

B

A



**SCHEMATIC:**

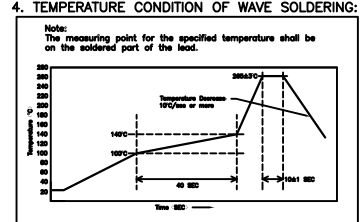


**ELECTRICAL CHARACTERISTICS :**

- INSERTION LOSS :**  
- 1~100 MHz -1.0dB MAX.
- RETURN LOSS(LOAD 100Ω) :**  
- 1~30 MHz -18dB MIN  
- 30~60 MHz -16dB MIN  
- 60~80 MHz -12dB MIN  
- 80~100 MHz -10dB MIN
- COMMON MODE REJECTION**  
- 1~100 MHz -30dB MIN
- CROSS TALK**  
- 1~100 MHz -30dB MIN
- INDUCTANCE @ 100KHz, 0.1V, 8mA DC BIAS**  
- (P2-P3),(P4-P5),(P6-P7),(P8-P9) : 350 uH MIN
- DCR**  
- (J1-J2),(J3-J6),(J4-J5),(J7-J8) : 1.2 Ohm MAX
- HI-POT TEST**  
- PCB SIDE TO CABLE SIDE : 1500VAC 60S OR 2250VDC 60S
- TURNS RATION 100KHz**  
- (P2-P3) : (J1-J2) = 1:1 ±%  
- (P4-P5) : (J3-J6) = 1:1 ±%  
- (P6-P7) : (J4-J5) = 1:1 ±%  
- (P8-P9) : (J7-J8) = 1:1 ±%

**SPECIFICATIONS :**

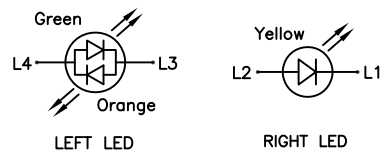
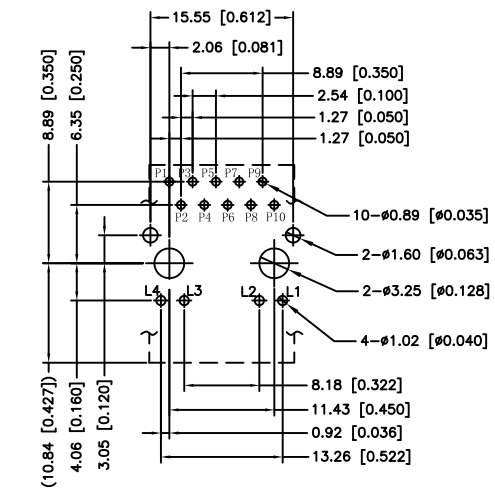
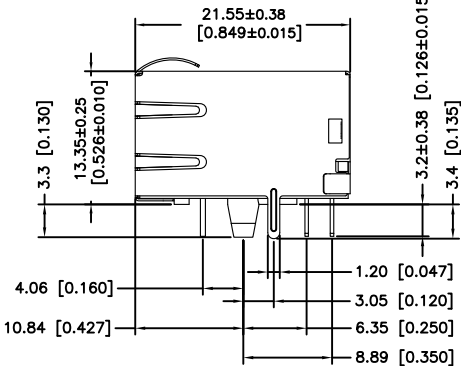
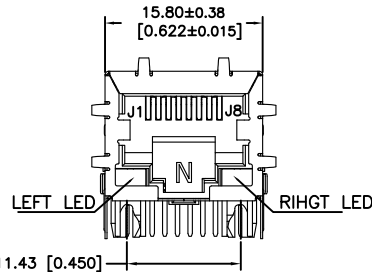
- MATERIAL**  
- HOUSING : THERMOPLASTIC, UL 94V-0, BLACK,HSF  
- MODULE CASE : THERMOPLASTIC, UL 94V-0, BLACK,HSF  
- RJ CONTACTS : PHOSPHOR BRONZE  
- PLATING : SELECT GOLD ON CONTACT AREA (SEE PART NO), 100U" MIN TIN PLATING ON SOLDER TAILS, 300"MIN NICKEL OVERALL  
- SOLDER TAIL TERMINAL : BRASS  
- PLATING : 100U" MIN TIN ON 30U"MIN NICKEL OVERALL  
- SHIELD : STAINLESS, THICKNESS=0.2MM, PRE-SOLDERING
- RJ45 SPECIFICATIONS**  
- INSULATION RESISTANCE : 500 MOHMS MIN  
- INSERTION FORCE WITH THE LATCH DEPRESSED :.22N MAX  
- REMOVAL FORCE WITH THE LATCH DEPRESSED :.44N MAX  
- DURABILITY :750 CYCLES
- OPERATING AND STORAGE TEMPERATURE**  
- OPERATING TEMPERATURE : -40°C TO +85°C  
- STORAGE TEMPERATURE : -20°C TO +125°C
- TEMPERATURE CONDITION OF WAVE SOLDERING:**



PART NO : 2TJ911-0 26 712 18 1 1

Series Code: 2TJ911-0  
Environmental Code: 26: With All Spring, Post With Lock  
Mechanical Code: 712: 712 Circuit  
LED Code: 18 : LEFT-Green/Orange. RIGHT-Yellow

Package Code: 1: Tray  
Plating Code: 1: Gold Flash



Emitting Color	λp (nm)	Vf @If=20mA	Ir @Vr=5V
Green	565	1.7V~2.6V	10µA max.
Yellow	585	1.7V~2.6V	10µA max.
Orange	610	1.7V~2.6V	10µA max.

RECOMMENDED PCB LAYOUT  
(COMPONENT SIDE VIEW)

HSF COMPLIANT  
29-Jun-17

GENERAL TOLERANCE	
.X± 0.20	X.*± 1*
.XX± 0.10	.X*± 0.5*
.XXX±	

Singatron Enterprise Co., Ltd.

TITLE		RJ45 IMC,1000BASE-T,W/LED		
DWN	Tony Zheng	PART NO. 2TJ911-0 267121811		
CHKD	Herry	SCALE 1:1	UNIT: mm	
APVD	Herry	SIZE: A3	SHEET:1 OF 1	
<b>CUSTOMER COPY</b>				