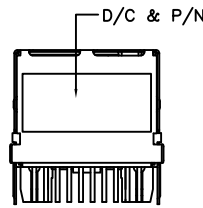
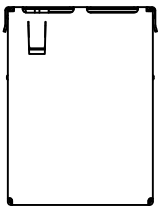
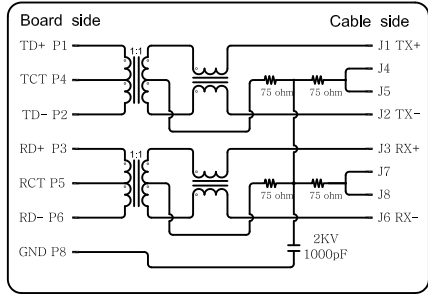


1 2 3 4 5 6 7 8



SCHEMATIC FOR RJ45:

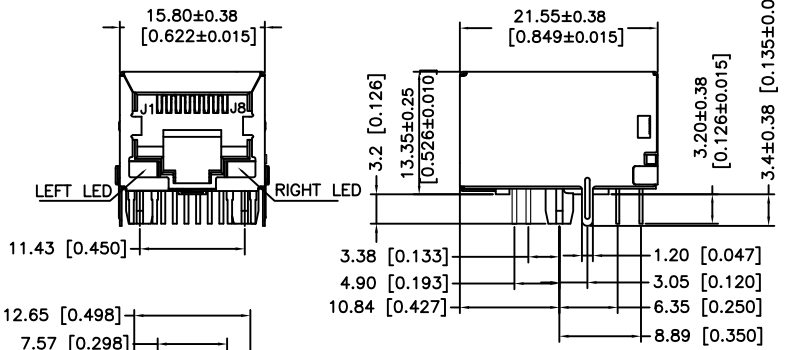
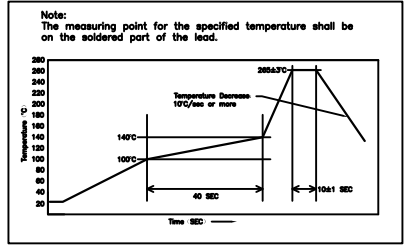


ELECTRICAL CHARACTERISTICS :

1. INSERTION LOSS :
- 1~100 MHz -1.0dB MAX.
2. RETURN LOSS(LOAD 100Ω) :
- 1~30 MHz -18dB MIN
- 30~60 MHz -16dB MIN
- 60~80 MHz -12dB MIN
3. COMMON MODE REJECTION
- 1~100 MHz -30dB MIN
4. CROSS TALK
- 1~100 MHz -30dB MIN
5. INDUCTANCE @ 100KHz, 0.1V, 8mA DC BIAS
- (P1-P2),(P3-P6) : 350 uH MIN
6. DCR
- (J1-J2),(J3-J6) : 1.2 Ohm MAX
7. HI-POT TEST
- PCB SIDE TO CABLE SIDE : 1500VAC 60S OR 2250VDC 60S
8. TURNS RATION 100KHz
- (P1-P2) : (J1-J2) = 1:1 ±%3
- (P3-P6) : (J3-J6) = 1:1 ±%3

SPECIFICATIONS :

1. MATERIAL
- HOUSING : THERMOPLASTIC, UL 94V-0, BLACK
- MODULE CASE : HIGH TEMPERATURE THERMOPLASTIC, UL 94V-0, BLACK
- RJ CONTACTS : PHOSPHOR BRONZE
PLATING : SELECT GOLD ON CONTACT AREA (SEE PART NO),
100U" MIN TIN PLATING ON SOLDER TAILS, 30U"MIN NICKEL OVERALL
- SOLDER TAIL TERMINAL : BRASS
PLATING : 100U" MIN TIN 30U"MIN NICKEL OVERALL
- SHIELD : STAINLESS, THICKNESS=0.2MM, PRE-SOLDERING
2. RJ45 SPECIFICATIONS
- INSULATION RESISTANCE : 500 MOHMS MIN
- INSERTION FORCE WITH THE LATCH DEPRESSED :22N MAX
- REMOVAL FORCE WITH THE LATCH DEPRESSED :44N MAX
- DURABILITY :750 CYCLES
3. OPERATING AND STORAGE TEMPERATURE
- OPERATING TEMPERATURE : 0C TO +70°C
- STORAGE TEMPERATURE : -40°C TO +85°C
4. TEMPERATURE CONDITION OF WAVE SOLDERING:

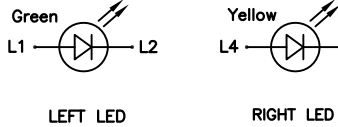
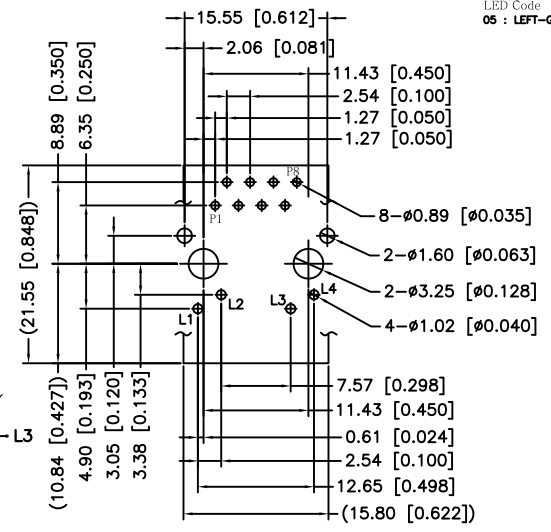
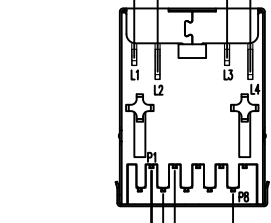


PART NO : 2TJ911-0 55 402 05 1 1

Series Code: _____
Environmental Code: _____
Mechanical Code: _____
Schematic Code: _____
LED Code: _____

Package Code: 1: Tray
Plating Code: 1: Gold Flash

05: LEFT-Green, RIGHT-Yellow



Emitting Color	λp (nm)	Vf @If=20mA	Ir @Vr=5V
Green	565	1.7V~2.6V	10μA max.
Yellow	585	1.7V~2.6V	10μA max.

RECOMMENDED PCB LAYOUT
(COMPONENT SIDE VIEW)

HSF COMPLIANT
7-Aug-17

Singatron Enterprise Co., Ltd.				
TITLE	RJ45 IMC,100BASE-T,W/LED			
DWN	Tony Zheng	PART NO. 2TJ911-0554020511		
CHKD	Herry	SCALE 1:1	UNIT: mm	
APVD	Herry	SIZE: A3	SHEET:1 OF 1	
CUSTOMER COPY				

GENERAL TOLERANCE	
.X± 0.20	X.*± 2'
.XX± 0.10	.X.*± 1'
.XXX±	