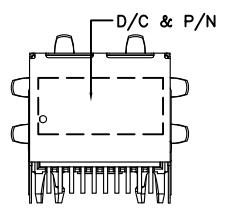
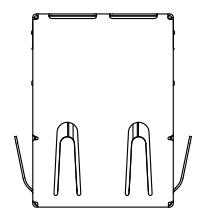
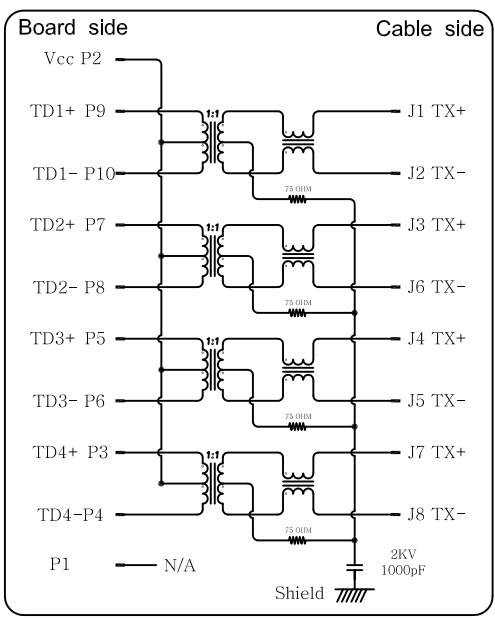


1 2 3 4 5 6 7 8

F
E
D
C
B
A



SCHMATIC FOR RJ45:

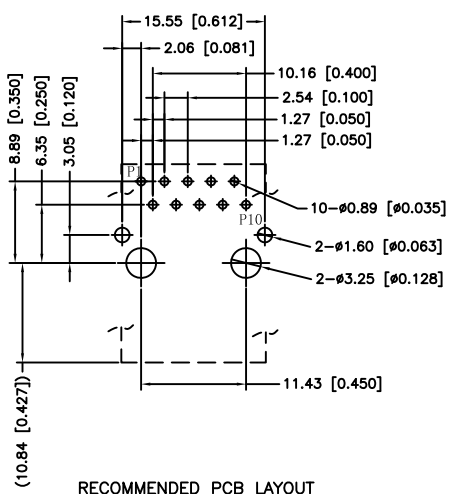
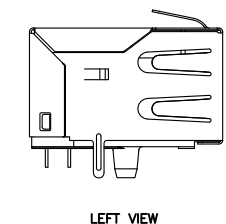
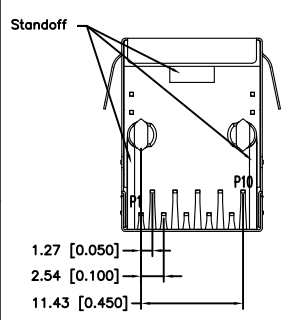
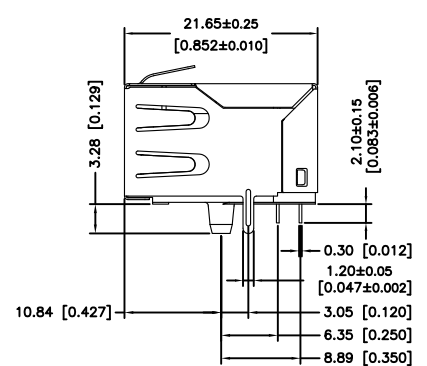
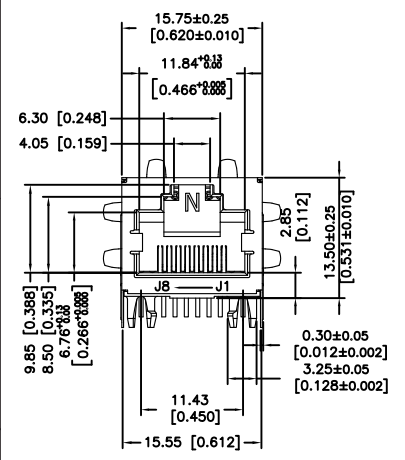
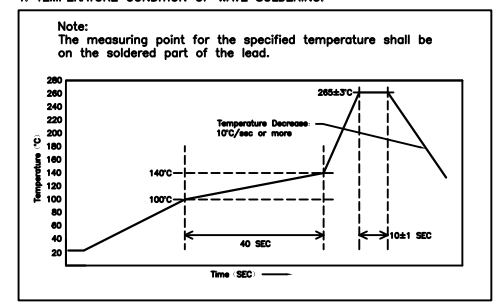


ELECTRICAL CHARACTERISTICS :

- INSERTION LOSS :**
- 1~100 MHz -1.0dB MAX.
- RETURN LOSS(LOAD 100Ω) :**
- 1~30 MHz -18dB MIN
- 30~60 MHz -16dB MIN
- 60~80 MHz -12dB MIN
- 80~100 MHz -10dB MIN
- COMMON MODE REJECTION**
- 1~100 MHz -30dB MIN
- CROSS TALK**
- 1~100 MHz -30dB MIN
- INDUCTANCE @ 100KHz, 0.1V, 8mA DC BIAS**
- (P9-P10),(P7-P8),(P5-P6),(P3-P4) : 350 uH MIN
- HI-POT TEST**
- PCB SIDE TO CABLE SIDE : 1500VAC 60S OR 2250VDC 60S
- TURNS RATION 100KHz**
- (P9-P10) : (J1-J2) = 1:1 ±%5
- (P7-P8) : (J3-J6) = 1:1 ±%5
- (P5-P6) : (J4-J5) = 1:1 ±%5
- (P3-P4) : (J7-J8) = 1:1 ±%5

SPECIFICATIONS :

- MATERIAL**
- HOUSING : THERMOPLASTIC, PBT+30%GF, UL 94V-0, BLACK,HSF
- MODULE CASE : HIGH TEMPERATURE THERMOPLASTIC, LCP, UL 94V-0, BLACK,HSF
- RJ CONTACTS : PHOSPHOR BRONZE, C5210
- PLATING : SELECT GOLD ON CONTACT AREA (SEE PART NO),
100U" MIN TIN PLATING ON SOLDER TAILS, 30U"MIN NICKEL OVERALL
- SOLDER TAIL TERMINAL : BRASS, C2680
- PLATING : 100U" TIN MIN OVER 50U" NICKEL OVERALL
- SHIELD : STAINLESS, SUS304,THICKNESS=0.2MM, PRE-SOLDERING
- RJ45 SPECIFICATIONS**
- INSULATION RESISTANCE : 500 MOHMS MIN
- INSERTION FORCE WITH THE LATCH DEPRESSED :22N MAX
- REMOVAL FORCE WITH THE LATCH DEPRESSED :44N MAX
- DURABILITY :750 CYCLES
- OPERATING AND STORAGE TEMPERATURE**
- OPERATING TEMPERATURE : 0°C TO +70°C
- STORAGE TEMPERATURE : -40°C TO +85°C
- TEMPERATURE CONDITION OF WAVE SOLDERING:**



PART NO : 2TJ912-0368350051

Series Code: []
Environmental Code: 0: ROHS
Mechanical Code: 36: With All Spring, Post With Lock
Schematic Code: 835: 835 Circuit
LED Code: 30 : Without LED

Package Code: 1: Tray
Plating Code: 5: 30u" Au

RECOMMENDED PCB LAYOUT (COMPONENT SIDE VIEW)

HSF COMPLIANT
20-Jul-17

GENERAL TOLERANCE

.X± 0.20	.X'± 1"
.XX± 0.10	.X'± 0.5"
.XXX±	

Singatron Enterprise Co., Ltd.

TITLE	RJ45 IMC,1000BASE-T,W/O LED		
DWN	Tony	PART NO. 2TJ912-0368350051	
CHKD	Herry	SCALE 1:1	UNIT: mm
APVD	Herry	SIZE: A3	SHEET:1 OF 1 REV: A
CUSTOMER COPY			