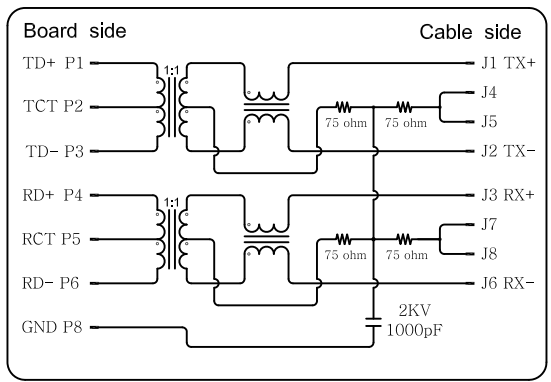
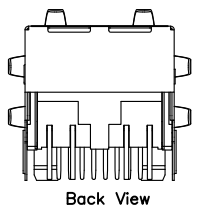
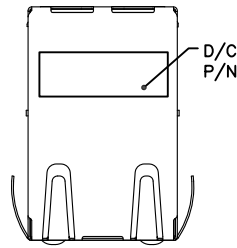


1 2 3 4 5 6 7 8



- ELECTRICAL CHARACTERISTICS :**
- INSERTION LOSS :
 - 1~100 MHz -1.0dB MAX.
 - RETURN LOSS(LOAD 100Ω) :
 - 1~30 MHz -18dB MIN
 - 30~60 MHz -16dB MIN
 - 60~80 MHz -12dB MIN
 - COMMON MODE REJECTION
 - 1~100 MHz -30dB MIN
 - CROSS TALK
 - 1~100 MHz -30dB MIN
 - INDUCTANCE @ 100KHz, 0.1V, 8mA DC BIAS
 - (P1-P3),(P4-P6) : 350 uH MIN
 - DCR
 - (J1-J2),(J3-J6) : 1.2 Ohm MAX
 - HI-POT TEST
 - PCB SIDE TO CABLE SIDE : 1500VAC 60S OR 2250VDC 60S
 - TURNS RATION 100KHz
 - (P1-P3) : (J1-J2) = 1:1 ±%3
 - (P4-P6) : (J3-J6) = 1:1 ±%3

F

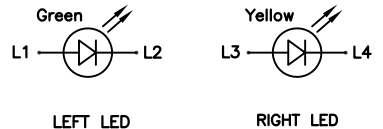
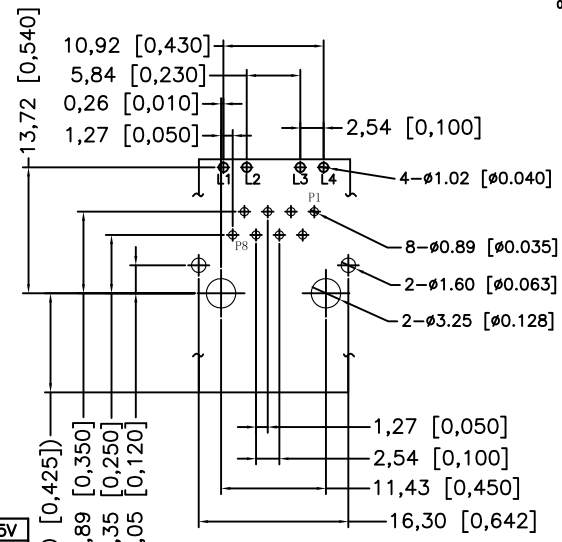
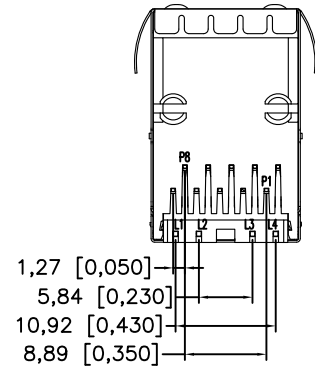
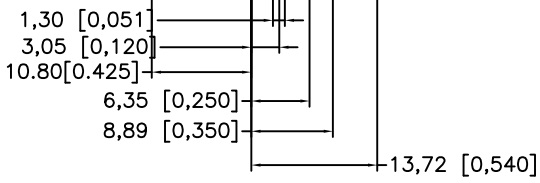
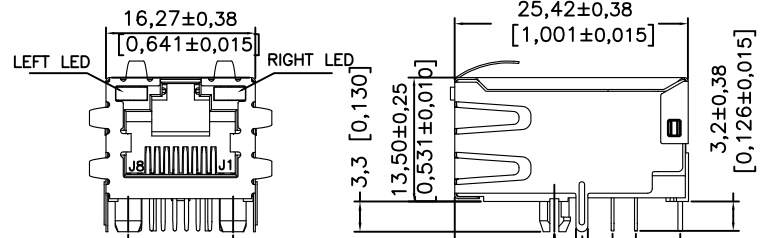
E

D

C

B

A



Emitting Color	λp (nm)	Vf @If=20mA	Ir @Vr=5V
Green	565	1.7V~2.6V	10μA max.
Yellow	585	1.7V~2.6V	10μA max.

PART NO : 2TJ 913-0144010361

Series Code: _____ Package Code: 1: Tray

Environmental Code: _____ Plating Code: 6 : 50u" Au

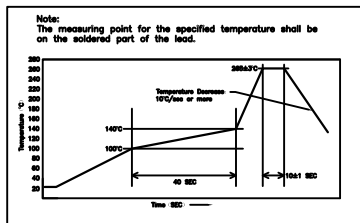
Mechanical Code: 14: With All Spring

Schematic Code: 401: 401 Circuit

LED Code: 03 : LEFT-Green, RIGHT-Yellow

SPECIFICATIONS :

- MATERIAL
 - HOUSING : THERMOPLASTIC, UL 94V-0, BLACK
 - MODULE CASE : THERMOPLASTIC, UL 94V-0, BLACK
 - RJ CONTACTS : PHOSPHOR BRONZE
 - PLATING : SELECT GOLD ON CONTACT AREA (SEE PART NO), 100U" MIN TIN PLATING ON SOLDER TAILS, 30U"MIN NICKEL OVERALL
 - SOLDER TAIL TERMINAL : BRASS, PLATING : 100U"MIN TIN, 30U"MIN NICKEL OVERALL
 - SHIELD : STAINLESS, THICKNESS=0.2MM, PRE-SOLDERING
- RJ45 SPECIFICATIONS
 - INSULATION RESISTANCE : 500 MOHMS MIN
 - INSERTION FORCE WITH THE LATCH DEPRESSED :22N MAX
 - REMOVAL FORCE WITH THE LATCH DEPRESSED :44N MAX
 - DURABILITY :750 CYCLES
- OPERATING AND STORAGE TEMPERATURE
 - OPERATING TEMPERATURE : 0°C TO +70°C
 - STORAGE TEMPERATURE : -40°C TO +85°C
- TEMPERATURE CONDITION OF WAVE SOLDERING:



HSF COMPLIANT
29-Jun-17

Singatron Enterprise Co., Ltd.

GENERAL TOLERANCE	
.X± 0.20	X.*± 1"
.XX± 0.10	.X.*± 0.5"
.XXX±	

TITLE	RJ45 IMC,100BASE-T,W/LED		
DWN	Tony Zheng	PART NO.2TJ913-0144010361	
CHKD	Herrv	SCALE 1:1	UNIT: mm
APVD	Herrv	SIZE: A3	SHEET:1 OF 1 REV: A
CUSTOMER COPY			

1 2 3 4 5 6 7 8