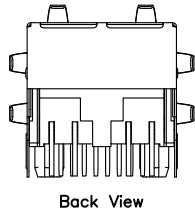
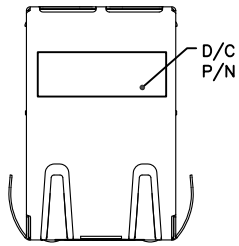
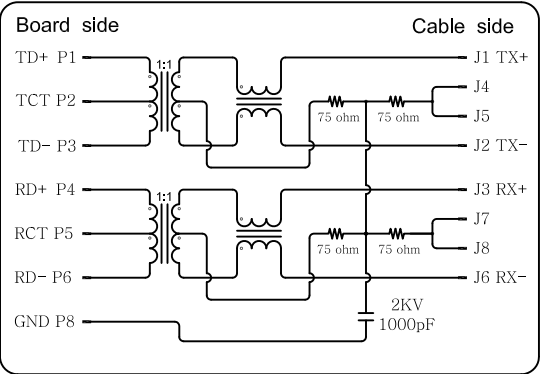


1 2 3 4 5 6 7 8

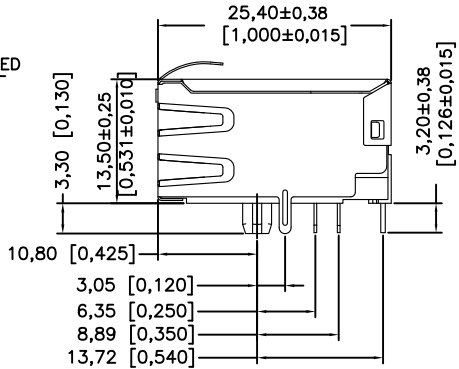
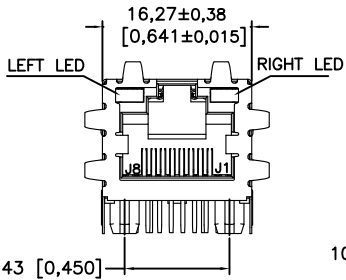


SCHMATIC FOR RJ45:



ELECTRICAL CHARACTERISTICS :

1. INSERTION LOSS :
- 1~100 MHz -1.0dB MAX.
2. RETURN LOSS(LOAD 100Ω) :
- 1~30 MHz -18dB MIN
- 30~60 MHz -16dB MIN
- 60~80 MHz -12dB MIN
3. COMMON MODE REJECTION
- 1~100 MHz -30dB MIN
4. CROSS TALK
- 1~100 MHz -30dB MIN
5. INDUCTANCE @ 100KHZ, 0.1V, 8mA DC BIAS
- (P1-P3),(P4-P6) : 350 uH MIN
6. DCR
- (J1-J2),(J3-J6) : 1.2 Ohm MAX
7. HI-POT TEST
- PCB SIDE TO CABLE SIDE : 1500VAC 60S OR 2250VDC 60S
8. TURNS RATION 100KHZ
- (P1-P3) : (J1-J2) = 1:1 ±3%
- (P4-P6) : (J3-J6) = 1:1 ±3%

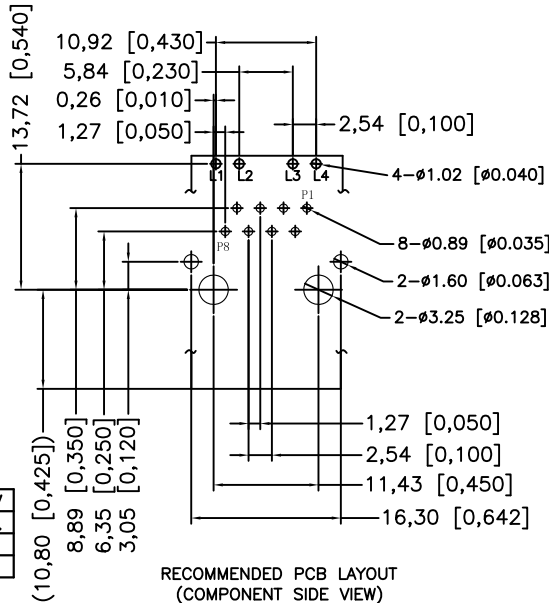
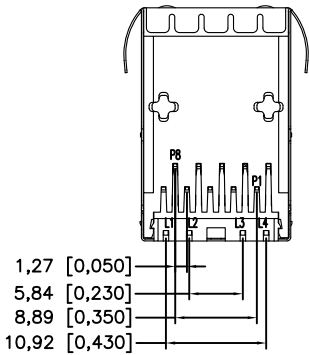
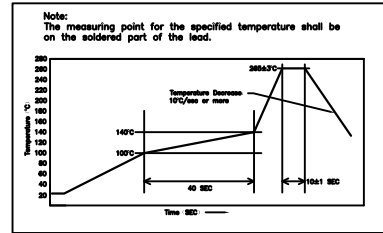


PART NO : 2TJ913-0 29 401 29 61

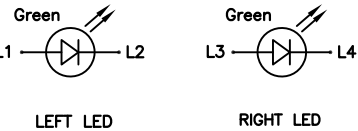
Series Code: _____ Package Code: **1: Tray**
 Environmental Code: _____ Plating Code: **6 : 50u" Au**
 Mechanical Code: _____
29: With All Spring
 Schematic Code: **401: 401 Circuit**
 LED Code: _____
29 : LEFT-Green, RIGHT-Green

SPECIFICATIONS :

1. MATERIAL
- HOUSING : PBT, UL 94V-0, BLACK
- MODULE CASE : HIGH TEMPERATURE THERMOPLASTIC, UL 94V-0, BLACK
- RJ CONTACTS : PHOSPHOR BRONZE
- PLATING : SELECT GOLD ON CONTACT AREA (SEE PART NO), 100U" MIN TIN PLATING ON SOLDER TAILS, 30U" MIN NICKEL OVERALL
- SOLDER TAIL TERMINAL : BRASS, PLATING : 100U" MIN TIN, 30U" MIN NICKEL OVERALL
- SHIELD : STAINLESS, THICKNESS=0.2MM, PRE-SOLDERING
2. RJ45 SPECIFICATIONS
- INSULATION RESISTANCE : 500 MOHMS MIN
- INSERTION FORCE WITH THE LATCH DEPRESSED : 22N MAX
- REMOVAL FORCE WITH THE LATCH DEPRESSED : 44N MAX
- DURABILITY : 750 CYCLES
3. OPERATING AND STORAGE TEMPERATURE
- OPERATING TEMPERATURE : 0°C TO +70°C
- STORAGE TEMPERATURE : -40°C TO +85°C
4. TEMPERATURE CONDITION OF WAVE SOLDERING:



RECOMMENDED PCB LAYOUT (COMPONENT SIDE VIEW)



Emitting Color	λp (nm)	Vf @If=20mA	Ir @Vr=5V
Green	565	1.7V~2.6V	10μA max.

HSF COMPLIANT

10-Aug-17

GENERAL TOLERANCE

.X±0.20	X.*±1"
.XX±0.10	.X*±0.5"
.XXX±	

Singatron Enterprise Co., Ltd.

TITLE	RJ45 IMC,100BASE-T,W/LED		
DWN	Tony Zheng	PART NO. 2TJ913-0294012961	
CHKD	Herry	SCALE 1:1	UNIT: mm
APVD	Herry	SIZE: A3	SHEET: 1 OF 1 REV: A

CUSTOMER COPY