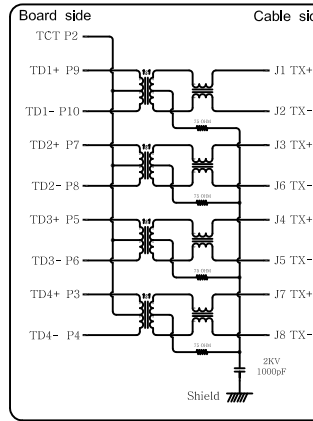


RECOMMENDED PCB LAYOUT  
(COMPONENT SIDE VIEW)

**SCHEMATIC FOR RJ45:**

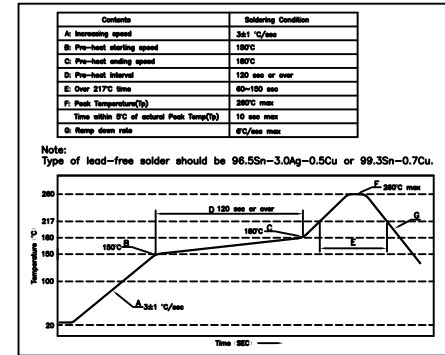


**SPECIFICATIONS :**

- MATERIAL**
  - HOUSING : HIGH TEMPERATURE THERMOPLASTIC, LCP , UL 94V-0, BLACK ,HSF
  - MODULE CASE : HIGH TEMPERATURE THERMOPLASTIC, LCP, UL 94V-0, BLACK,HSF
  - RJ CONTACTS : PHOSPHOR BRONZE, C5210R-H
  - PLATING : SELECT GOLD ON CONTACT AREA (SEE PART NO), 100U" MIN TIN PLATING ON SOLDER TAILS, OVER 50~100U" NICKEL OVERALL
  - SOLDER TAIL TERMINAL : BRASS, C2680R-EH
  - PLATING : 100U" TIN MIN OVER 50U" NICKEL OVERALL
  - SHIELD : STAINLESS, SUS304-1/2H, THICKNESS=0.2MM, PRE-SOLDERING
- ELECTRICAL**
  - INSULATION RESISTANCE : 500 MOHMS MIN
  - DIELECTRIC WITHSTANDING VOLTAGE : 1500 VAC FOR 1 MINUTE
- DURABILITY TEST RATING**
  - INSERTION FORCE WITH THE LATCH DEPRESSED :22N MAX
  - REMOVAL FORCE WITH THE LATCH DEPRESSED :44N MAX
  - DURABILITY :750 CYCLES
- OPERATING AND STORAGE TEMPERATURE**
  - OPERATING TEMPERATURE : 0°C TO +70°C
  - STORAGE TEMPERATURE : -40°C TO +85°C
- TEMPERATURE CONDITION OF REFLOW SOLDERING:**

**ELECTRICAL CHARACTERISTICS :**

- INSERTION LOSS :**
  - 1~100 MHz -1.0dB MAX.
- RETURN LOSS(LOAD 100Ω) :**
  - 1~30 MHz -18dB MIN
  - 30~60 MHz -16dB MIN
  - 60~80 MHz -12dB MIN
  - 80~100 MHz -10dB MIN
- COMMON MODE REJECTION**
  - 1~100 MHz -30dB MIN
- CROSS TALK**
  - 1~100 MHz -30dB MIN
- INDUCTANCE @ 100KHz, 0.1V, 8mA DC BIAS**
  - (P9-P10),(P7-P8),(P5-P6),(P3-P4) : 350 uH MIN
- DCR**
  - (J1-J2),(J3-J6),(J4-J5),(J7-J8) : 1.2 Ohm MAX
- HI-POT TEST**
  - PCB SIDE TO CABLE SIDE : 1500VAC 60S OR 2250VDC 60S
- TURNS RATION 100KHz**
  - (P9-P10) : (J1-J2) = 1:1 ±%5
  - (P7-P8) : (J3-J6) = 1:1 ±%5
  - (P5-P6) : (J4-J5) = 1:1 ±%5
  - (P3-P4) : (J7-J8) = 1:1 ±%5



PART NO : **2TJ9A3-00483500 5 1**

Series Code: \_\_\_\_\_  
 Environmental Code: **0: ROHS**  
 Mechanical Code: **04: Without All Spring**  
 Schematic Code: **835: 835 Circuit**  
 LED Code: **00: Without LED**

Package Code: **1: Tray**  
 Plating Code: **5: 30u" Au**

HSF COMPLIANT

21-Jul-17

GENERAL TOLERANCE

.X± 0.20	X.*± 1"
.XX± 0.10	.X*± 0.5"
.XXX±	

Singatron Enterprise Co., Ltd.

TITLE	RJ45 IMC,1000BASE-T,W/ø LED			
DWN	Kenny	PART NO. 2TJ9A3-0048350051		
CHKD	Herry	SCALE 1:1	UNIT: mm	⊕
APVD	Herry	SIZE: A3	SHEET:1 OF 1	REV: A

CUSTOMER COPY