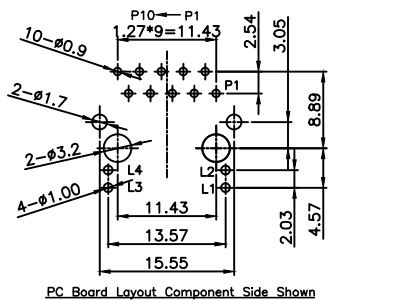
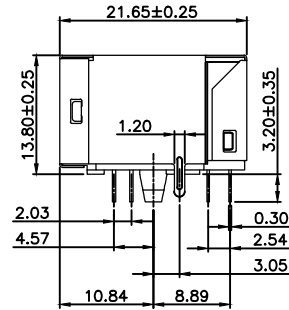
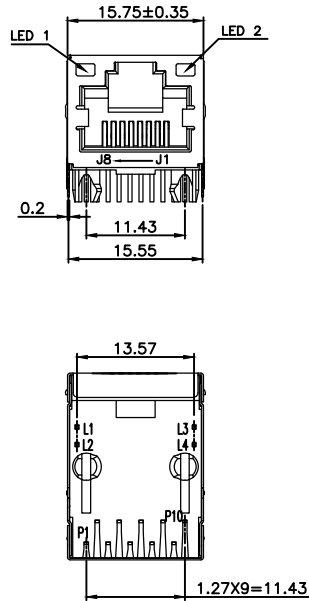


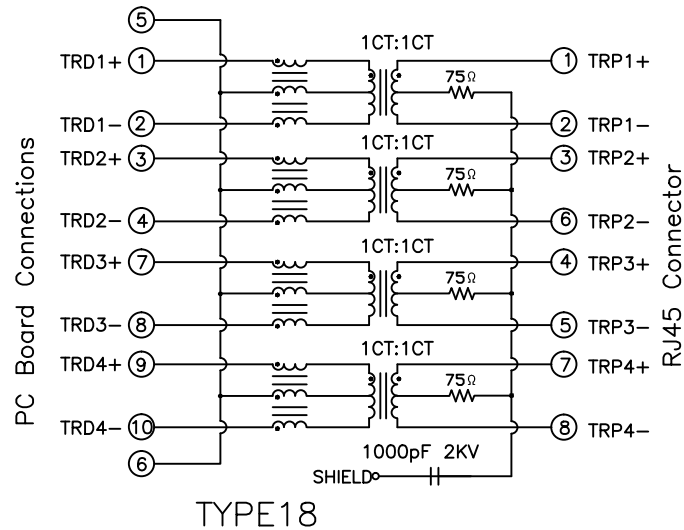
RoHS
THIS IS A RoHS
COMPLIANT
COMPONENT/
PRODUCT.



LED DISPLAY

PART NO.	LED1	LED2
2TJK3T1X-030-XX	L1 → K → L2 GREEN	L3 → K → L4 GREEN ORANGE

Schematic GIGA:



TYPE18

Notes:
Characteristics Description:

1. RJ45 1000 Base-Tx Transformer Jack With Transformer Impedance Resistor/High Voltage Capacitor.
2. Size Same As RJ-45 Modular Jack To Save PCB Space.
3. Reduce EMI Radiation, Improve EMI Performance.
4. Designed For Network Interface Card Application.
5. Designed To Meet IEEE 802.3ab Requirement.
6. Designed For 1000 Base Transmission over UTP-5 Cable.

Electrical Specifications:

1. Inductance At 100 KHz, 100 mV 8mADC Bias: 350 uH Min.
2. Leakage Inductance 0.4 uH Max. @100KHz 100mV
3. Insertion Loss: 1.1 dB Max. @ 1-100 MHz
4. Return Loss: 18dB Min. @ 1-30MHz
16dB Min. @ 30-60MHz
12dB Min. @ 60-80MHz
5. Cross Talk: 30dB Min. @ 1-100MHz
6. Common Mode Rejection: 30dB Min. @1-100MHz
7. Isolation Voltage @60Hz:1500Vrms(Input To Output) 60 Seconds

Mechanical:

1. Housing Material: PBT. UL94V-0
2. Insert Material: PBT. UL94V-0
3. Contact Mateial: Phosphor Bronze t=0.30mm.
4. Plating : Contact Area-Gold Plating.
5. Shield Material:SUS430 .T=0.2mm
6. Operating Life: 750 Cycles Min.

Environmental:

- 1.Storage :-40°C To +85°C.
- 2.Operation :0°C To +70°C.

Mates With Modular Plug Conforming To TIA-1096-A

Part Number: 2TJK3T1X-030-XX

1-3u" 2-6u" 3-15u" 4-30u" 5-50u" 7-gold flash
XX:HIGH TEMP BK, W/O EMI LED1:GR/OR LED2:GR TYPE18

△XO	0066000	NEW DESIGN	ANDY	110819
MARK	ECN-NO.	REVISION RECORD	DRAWN	DATE

Singatron Enterprise Co., Ltd.

TITLE	RJ45 1X1 Transformer Jack STP			
DWN	ANDY	PART NO.	2TJK3T1X-030-XX	
CHKD	110819	SCALE	1:1	UNIT: mm
APVD		SIZE:	A3	SHEET:1 OF 1 REV: A

UNLESS OTHERWISE SPECIFIED TOLERANCE	
Dimension Range	Tolerance
X.X	±0.20
X.XX	±0.15
X.XXX	±0.10
ANGLE	±5°

CUSTOMER COPY