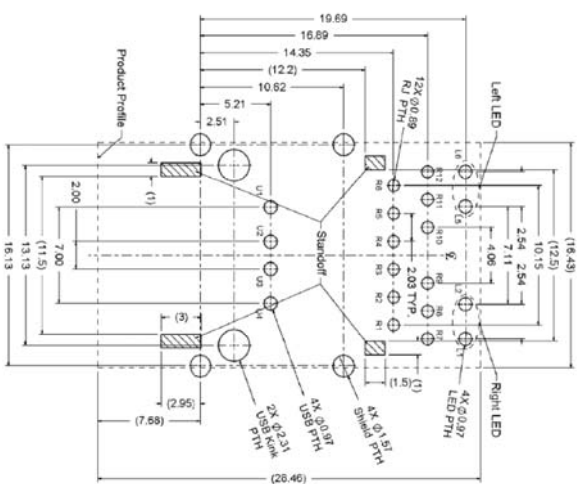


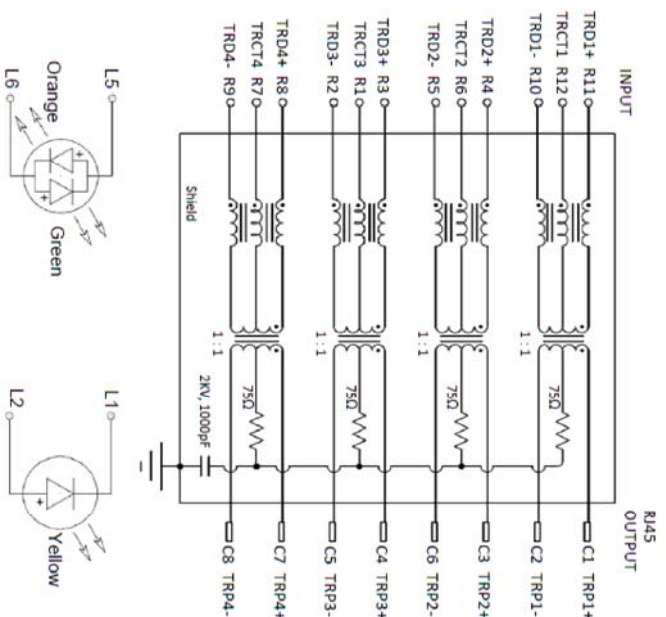
REV. ECN NO. OR DESCRIPTION	REVISED	DATE
A PDR RELEASE	Even	2021.05.13

1.2 Recommended PCB Layout
Component Side of Board
All dimension tolerance are ±0.05mm unless otherwise specified

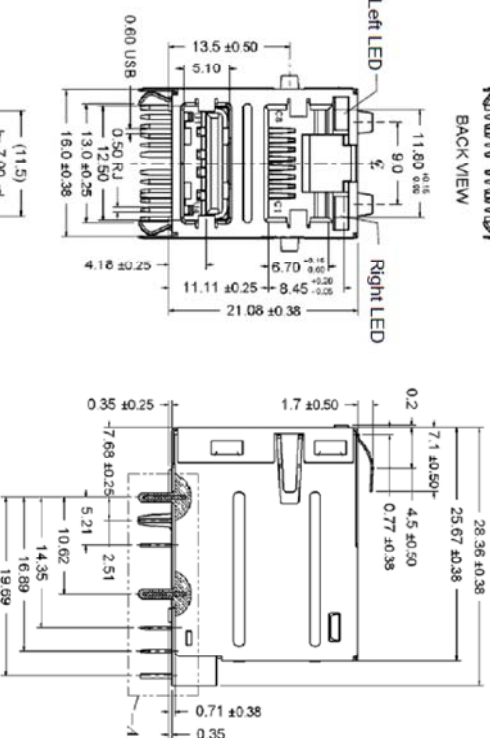
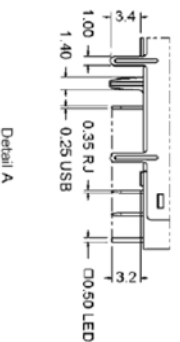
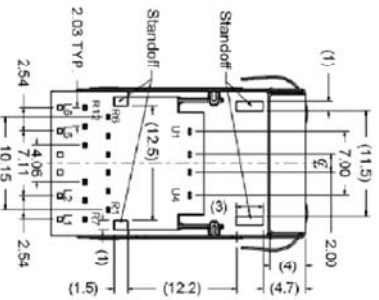


3. ELECTRICAL CHARACTERISTICS

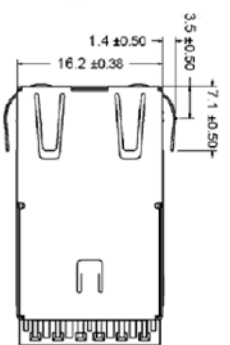
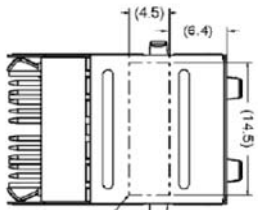
3.1 Schematic



Emitting Color	A_p (mm)	V_f @ $I_f=20\text{mA}$	I_r @ $V_r=5\text{V}$
Green	565	1.7~2.6 V	10 μA max
Yellow	585	1.7~2.6 V	10 μA max
Orange	610	1.7~2.6 V	10 μA max



BACK VIEW



- SPECIFICATION:
- TO CONFORM TO SINGATRON HAZARDOUS SUBSTANCE FREE SPEC.
 - GREEN PRODUCT IDENTIFICATION LABEL ON PACKAGING: **GP PASS**
 - PACKAGE: SEE "ZURU3-26LAKB13" PACKAGE.
 - OTHER GENERAL SPEC. TO REFER "ZURU3-26LAKB13 SPEC."

NO	DESCRIPTION	QTY	MATERIAL	PLATING & COLOR
UNLESS OTHERWISE SPECIFIED TOLERANCES				
DECIMALS: ANGLES:				
X.X	:±0.25	X	:±2°	
X.XX	:±0.13	X.X	:±1°	
APVD	MEASURED	TITLE R445 Tab up over USB Through Hole 10/100/1000 Base-1 DWN R445 CHKD SCALE: 5:1 UNIT: mm APVD SIZE: A3 SHEET: 1 OF 1 REV: A		
CUSTOMER COPY				

Singatron Enterprise Co., Ltd.
信晉企業股份有限公司