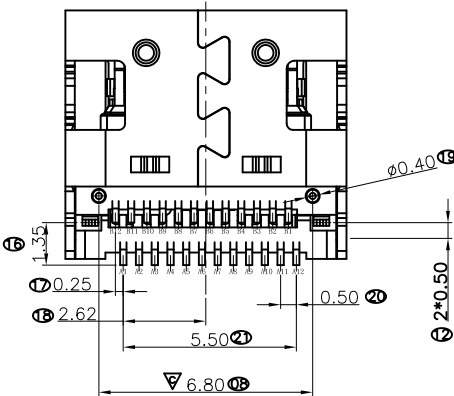


RECOMMENDED P.C.B. LAYOUT
TOLERANCE UNSPECIFIED ±0.05mm

料号对照表

料号	镀金规格	胶芯颜色
2UB-014101020-020	有柱有凸包端子焊脚Au:3u"	黑色
2UB-014101020-057	有柱有凸包端子焊脚Au:30u"	黑色

A1	GND	B12	GND
A2	SSTXP1	B11	SSRXP1
A3	SSTXN1	B10	SSRXN1
A4	VBUS	B9	VBUS
A5	CC1	B8	SBU2
A6	DP1	B7	DN2
A7	DN1	B6	DP2
A8	SBU1	B5	CC2
A9	VBUS	B4	VBUS
A10	SSRXN2	B3	SSTXN2
A11	SSRXP2	B2	SSTXP2
A12	GND	B1	GND
PIN	SIGNAL NAME	PIN	SIGNAL NAME



NOTES:
SPECIFICATION:

- CURRENT RATING: 3A MAX
- VOLTAGE: 100 VAC
- TEMPERATURE RANGE: -30 °C ~ 85 °C
- CONTACT RESISTANCE: 40 MILLIONHM MAX
- INSULATION RESISTANCE: 100 MEGOHMS MIN.
- INSERTION FORCE : 5N~20N
- UNMATING FORCE: 8N~20N
- DURABILITY: 10,000 CYCLES
- DRAWINGS MARKED "⊗" FOR FAI DIMENSION
- DRAWINGS MARKED "▽" FOR QIP DIMENSION

REV	ECN No.	DATE	REMARK
A	---	2018.03.13	新版本发行
A1	---	2018.03.15	原0.1±0.1 改为0.1 ^{+0.10} _{-0.05}

NO.	DESCRIPTION	MATERIAL	REMARKS	QTY
5	SHELL	STAINLESS STEEL	Ni Plated	1PCS
4	SPRING	STAINLESS STEEL		1PCS
3	SHIELDING PLATE	STAINLESS STEEL	Ni/SN Plated	1PCS
2	CONTACT	COPPER ALLOY	Au/Ni Plated	1SET
1	HOUSING	HIGH TEMPERATURE PLASTIC	BLACK	1PCS

Singatron Enterprise Co., Ltd.

QUALITY SYMBOL	GENERAL TOLERANCES (UNLESS SPECIFIED)
0	x.xxxxx ± ---
0	x.xxx ± 0.10
0	x.xx ± 0.20
0	x.x ± 0.30
0	ANGULAR ± 1°

TITLE	USB C F TYPE 双排SMT 四脚插板 有柱带凸包CONN		
DWN	SLF	PART NO.2UB-014101020-0xx	
CHKD	2018/03/15	SCALE 1:1	UNIT: mm
APVD	David	SIZE: A3	SHEET:1 OF 1 REV: A1

CUSTOMER COPY