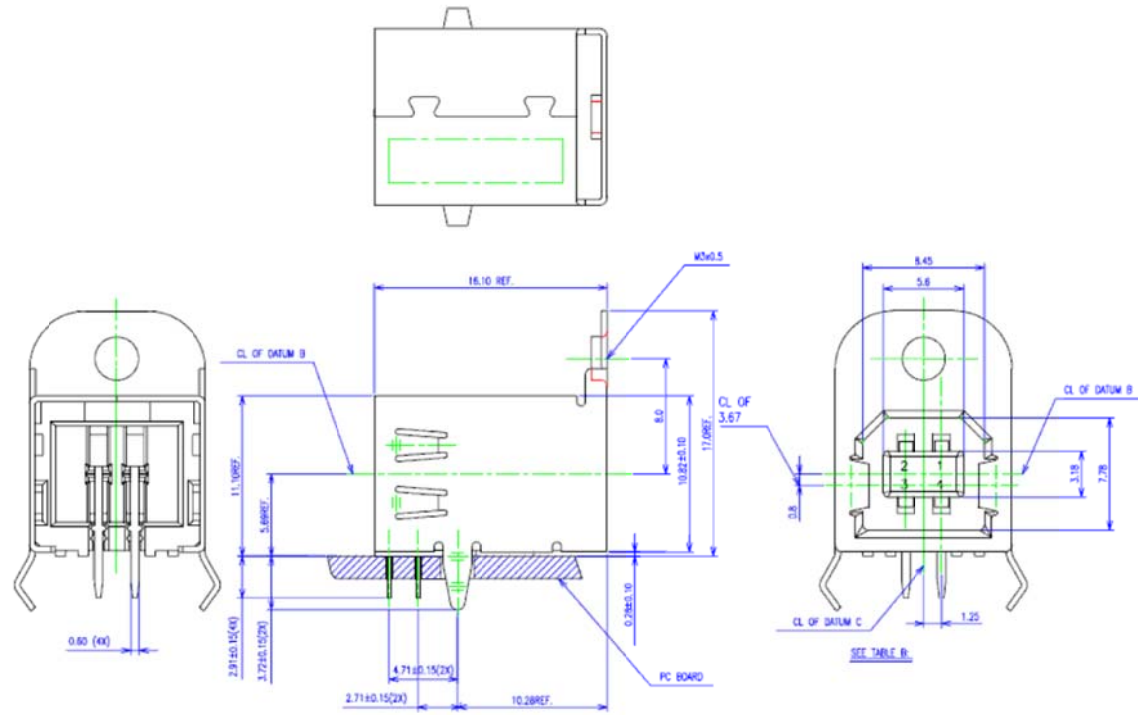


REV.	ECN NO OR DESCRIPTION	REVISED	DATE
PP1	PDR RELEASE	Even	2020.03.27



SPECIFICATIONS:

1. TO CONFORM TO THE SINGATRON HAZARDOUS SUBSTANCE FREE SPEC.
2. GREEN PRODUCT IDENTIFICATION LABEL ON PACKAGING: **G.P. PASS**
3. PACKAGE: SEE "2UB-23-4K5100" PACKAGE.

NO	DESCRIPTION	QTY	MATERIAL	PLATING & COLOR
4	CONTACT	2	T-UBR20-20X00	SEE NOTE 3.3, 4.2
3	CONTACT	2	T-UBR20-10X00	SEE NOTE 3.3, 4.2
2	HOUSING	1	1-UBR20-14X00	GLASS FILLED, 130°C, UL 94V-0 RATED
1	SHELL	1	S-UBR23-14X00	SEE NOTE 3.1, 4.1

UNLESS OTHERWISE SPECIFIED TOLERANCES		Singatron Enterprise Co., Ltd. 信音企業股份有限公司		
DECIMALS:	ANGLES:	TITLE	USB CONNECTOR, SERIES B, WITH SCREW 4 POSITIONS, R/A, THUR-HOLE	
X. ±0.38	X ±3°	DWN	EVEN 2020.03.27 PART NO. 2UB-23-4K5100	
X.X ±0.25	X.X ±2°	CHKD	SCALE 1:2	UNIT: mm
X.XX ±0.13		APVD	ANGELA2020.03.27	SIZE: A3 SHEET: 1 OF 2
X.XXX ±0.05				REV: A
CUSTOMER COPY				

REV.	ECN NO OR DESCRIPTION	REVISED	DATE
A	PDR RELEASE	Even	2020.03.27

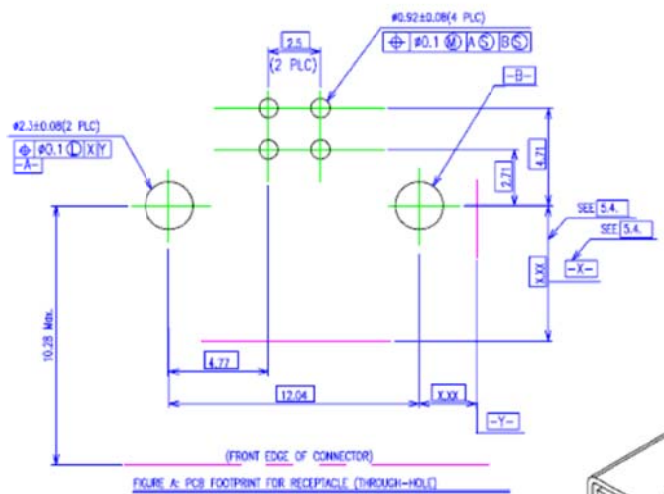
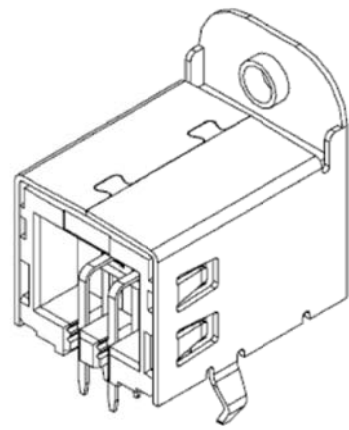


FIGURE A: PCB FOOTPRINT FOR RECEPTACLE (THROUGH-HOLE)

TABLE A: PRODUCT NUMBERING CODE:

- △ ZUB-23-4 K 1 2 3 4
- ① COLOR OF HOUSING:
K : BLACK
 - △ ② CONTACT GOLD PLATING THICKNESS:
2 : 5μ" GOLDING
△ ③ 5 : 30μ" GOLDING OR CONTACT AREA Pd-NI 30μ" MIN AND PLATED GOLD 2μ" MIN ON TOP.
 - ④ SHELL FINISH & LOGO:
1 : NICKEL+TIN W/D LOGO
△ ⑤ J : NICKEL PLATED OVER CU
△ ⑥ C : TIN PLATED W/D LOGO
 - △ ⑦ SHELL TYPE:
O : ORACLE TYPE



NOTES :

- 1.0. RATING :
 - 1.1. VOLTAGE : 30 VAC (R.M.S.)
 - 1.2. CURRENT : 1.5 AMPERE MINIMUM PER CONTACT AT 30°C T-RISE
 - 1.3. TEMPERATURE : -20°C TO +85°C(REF. TO CSP-UAC10-00-00)
- 2.0. ELECTRICAL CHARACTERISTIC :
 - 2.1. CONTACT RESISTANCE : 30 MILLIOHMS MAXIMUM INITIAL
 - 2.2. INSULATION RESISTANCE : 1,000 MEGOHMS MINIMUM
 - 2.3. DIELECTIC WITHSTANDING VOLTAGE : 500 VAC AT SEA LEVEL
 - 2.4. CAPACITANCE : 2 PICOFARADS MAXIMUM AT 1KHZ
- 3.0. MATERIALS :
 - 3.1. SHELL : COPPER ALLOY
 - 3.2. HOUSING : THERMOPLASTIC, GLASS FILLED, 130°C, UL 94V-0 RATED
 - 3.3 CONTACT : COPPER ALLOY
- 4.0. FINISHES :
 - △ 4.1. SHELL : NICKEL+TIN W/D LOGO
 - 4.2. CONTACT : SELECTIVE GOLD PLATING (REFER TO "TABLE A")
- 5.0. OTHERS :
 - 5.1. RECOMMENDED PC BOARD THICKNESS OF 1.57mm
 - 5.2. THIS ALLOW FOR A PANEL THICKNESS OF 2.67mm MAXIMUM, IF THE RECEPTACLE CONNECTOR IS MOUNTED BEHIND A PANEL.
 - 5.3. RECOMMENDED PC BOARD MOUNTING DIMMENSION : REFER FIGURE A
 - △ 5.4 DATUM AND BASIC DIMENSIONS ESTABLISHED BY CUSTOMER.
 - 5.5 PRODUCT NUMBER CROSS REFERENCE :REFER TO TABLE A
 - △ 5.6 TORQUE : 4.50Kg-Cm(MAX.)

NO	DESCRIPTION	QTY	MATERIAL	PLATING & COLOR
UNLESS OTHERWISE SPECIFIED TOLERANCES		Singatron Enterprise Co., Ltd. 信音企業股份有限公司		
DECIMALS:	ANGLES:	TITLE	USB CONNECTOR,SERIES B, WITH SCREW 4 POSITIONS,R/ATHUR-HOLE	
X. ±0.38	X : ±3°	DWN	EVEN 2020.03.27 PART NO. ZUB-23-4K5100	
X.X : ±0.25	X.X : ±2°	CHKD	SCALE 2:2	UNIT: mm
X.XX : ±0.13		APVD	ANGEL/2020.03.27	SIZE: A3 SHEET:2 OF 2 REV:A
X.XXX : ±0.05		CUSTOMER COPY		