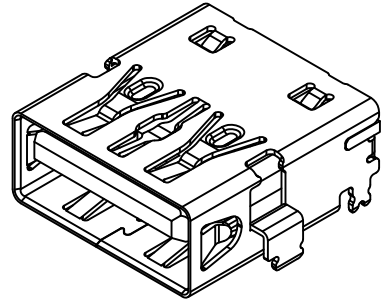
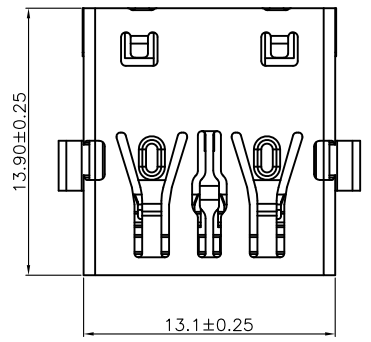


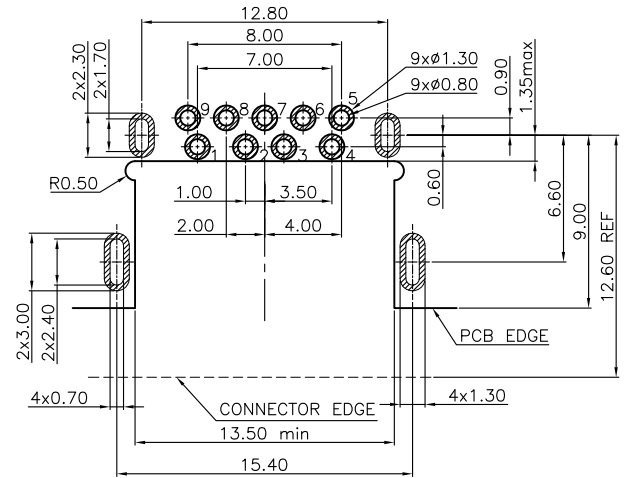
1 2 3 4 5 6 7 8

F
E
D
C
B
A

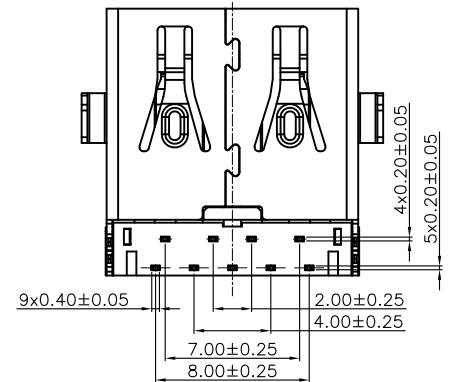
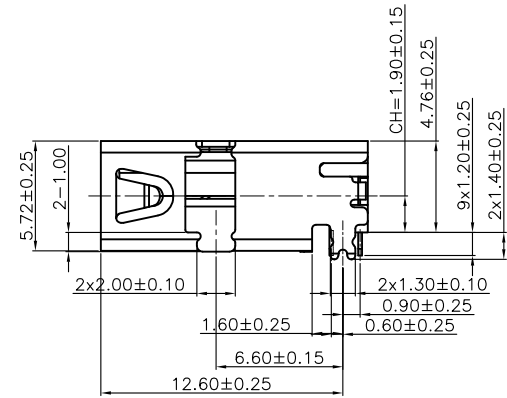
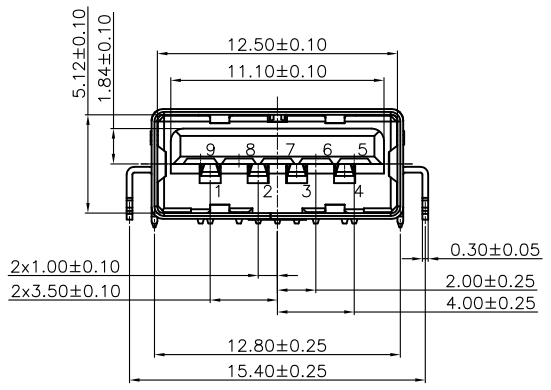
F
E
D
C
B
A



3D VIEW



RECOMMENDED P.C.B LAYOUT COMPONENT SIDE(TOP VIEW)
TOLERANCE: ±0.03 P.C.B THICKNESS=1.00mm



NOTE
1.ELECTRICAL CHARACTERISTIC:
1-1.LOW LEVEL CONTACT RESISTANCE:
INITIAL: 30mΩ MAX FOR VBUS AND GND
50mΩ MAX FOR ALL OTHER CONTACTS
1-2.CONTACT CURRENT RATING:1.8A FOR PIN1&4,
0.25A FOR ALL THE OTHER CONTACTS.
1-3.DELECTIC WITHSTANDING VOLTAGE: 100VAC R.M.S
1-4.INSULATION RESISTANCE: 100MΩ MIN
2.MECHANICAL CHARACTERISTIC:
2-1.MATING FORCE: 35N(3.57Kg) MAX
2-2.UNMATING FORCE:
INITIAL 10N(1.02Kg) MIN
AFTER TEST: 8N(0.816Kg) MIN
2-3.DURABILITY: 5000 CYCLES
3.OPERATING TEMPERATURE: -55°C~+85°C
4.SALT SPRAY: 48H

PIN ASSIGNMENT:

PIN No.	1	2	3	4	5	6	7	8	9
SIGNAL NAME	VBUS	D-	D+	GND	SSRX-	SSRX+	GND-DRAIN	SSTX-	SSTX+
REMARK	USB 2.0 CONTACT PIN				USB 3.0 CONTACT PIN				

DIMENSIONS TOLERANCE METRIC
X :±0.3
X.X :±0.2
X.XX :±0.1
X.XXX :±0.05
ANGLES
X :±1°
X.X :±0.5°

5	SHELL	SUS201	Ni PLATED 50u"Min	1	
4	4PIN TERMINAL	C5191	CONTACT AREA:Au 30u" SOLDER TAIL: MATTE TIN 100u" UNDER PLATED:NICKEL 50u"Min	4	
3	5PIN TERMINAL	C2680	CONTACT AREA:Au 30u" SOLDER TAIL: MATTE TIN 100u" UNDER PLATED:NICKEL 50u"Min	5	
2	COVER	PA9T HF+RoHS2.0	BLACK	1	UL94 V-0
1	HOUSING	PA9T HF+RoHS2.0	BLACK	1	UL94 V-0
No.	DESCRIPTION	MATERIAL	PLATING/COLOR	QTY	REMARK

Singatron Enterprise Co., Ltd.

TITLE	USB3.1 GEN2 90° 正向 CH1.90mm DIP TYPE			
DWN	PART NO. 2UB-90A-9BA23			
CHKD	2022/09/06	SCALE 1:1	UNIT: mm	⊕ ↻
APVD		SIZE: A3	SHEET:1 OF 1	REV: A

CUSTOMER COPY

1 2 3 4 5 6 7 8