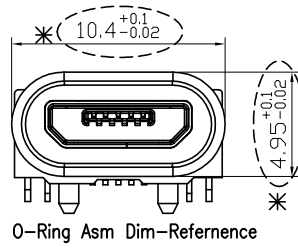
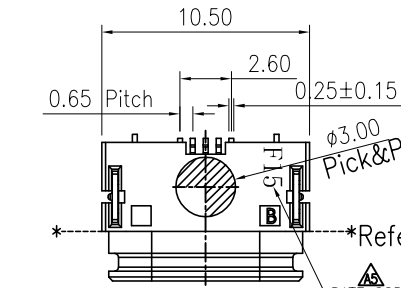


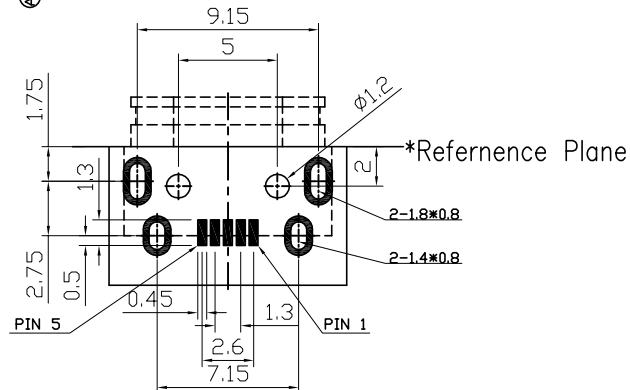
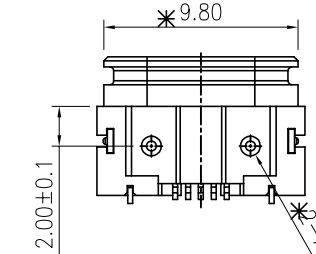
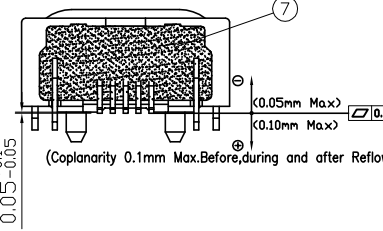
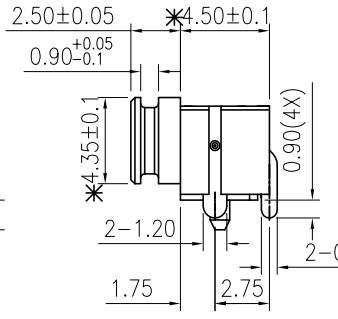
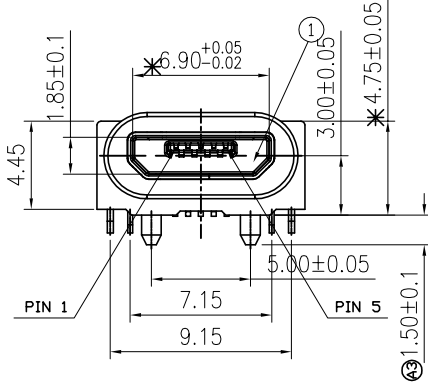
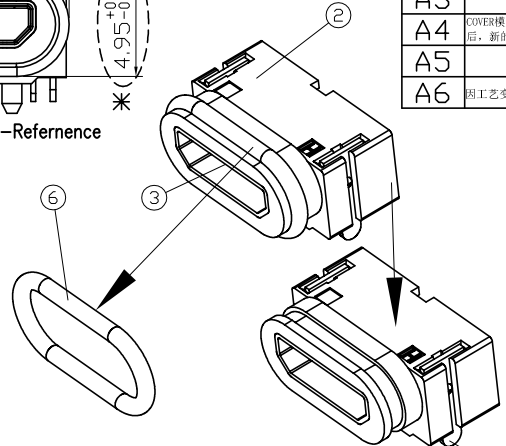
\*": INDICATES THE KEY DIMENSIONS ["\*"为重點尺寸]

\* REVISIONS

LTR	DESCRIPTION	DATE	REVISED	APPROVED
A2	针对图面相关规格更正	2016. 10. 13	H. RP	GAOWEI
A3	更正定位柱高度, 图面更新	2017. 07. 15	H. RP	GAOWEI
A4	COVER模具老旧引起成型不稳定并导致生产不良, 经更换原料不断调试后, 新的PA9T环保料可改善不良隐患, 特此申请变更.	2018. 09. 14	H. RP	GAOWEI
A5	增加DC喷码	2019. 04. 11	LUJIAO	GAOWEI
A6	加工工艺变更原因由SPCC变更C2680材质, 由打铜底变更打镍底规格	2020. 12. 10	LUJIAO	GAOWEI



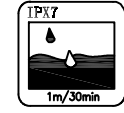
O-Ring Asm Dim-Reference



RECOMMENDED of PC board holes  
Tolerance : ±0.05(Top view)

SPECIFICATIONS:

- ELECTRICAL CHARACTERISTICS:
  - RATING: 1.8A (PIN1/5), 0.5A (PIN2/3/4)
  - CONTACT RESISTANCE: 30mΩ MAX.(INITIAL)
  - DIELECTRIC WITHSTANDING VOLTAGE: 300V AC FOR ONE MINUTE.
  - INSULATION RESISTANCE: 100MΩ MIN. MEASURED BY 500 VDC
- MECHANICAL CHARACTERISTICS:
  - INSERTION FORCE : 3.6 KGF (MAX)
  - WITHDRAWAL FORCE : 0.8 KGF(Reference)
- DURABILITY: 10,000 CYCLES .
- WATER PROOFNESS: THIS PRODUCT IS BASED ON IPX7(1m,30min)
- PLUG INTERFACE DIMENSIONS COMFORM TO USB2.0 SPEC.
- OVAL RING
  - The amount of low molecular siloxanes(D3~D10)is less than 200ppm
  - Hardness of silicone rubber:70°
  - Horizontal flash 0.1max;Longitudinal flash 0.10max
- BODY WITH O-RING'S SEAL AREA BURRS IS 0.05mm Max.
- FOR REFLOW SOLDERING LEAD-FREE PROCESS & The O-Ring can not go through the IR process with waterproof connector together.
- PACKAGING: TAPE & REEL.
- Housings and O-rings are packed separately.
- The connector can go through the IR process once only.



RoHS Compliant

7	Bond	1	
6	Oval ring	1	
5	TERMINAL	1	C2680 t=0.30 MB: Ni Sn PLATED
4	CONTACT	5	Copper Alloy t=0.20 GOLD FLASH ON CONTACT AREA, TIN 120μ" ON SOLDER AREA, ALL OVER NI PLATED
3	SHELL	1	Stainless Steel t=0.25 MB: Cu Ni PLATED
2	COVER	1	PA9T UL94V-0 Black
1	HOUSING	1	LCP UL94V-0 Black
LTR	PART NAME	QTY	MATERIAL REMARK

-TOLERANCES- UNLESS OTHERWISE SPECIFIED 公差		Singatron Enterprise Co., Ltd.			
		TITLE Mirco Usb Waterproof JACK			
X.X	±0.30	DWN	H.RP	PART NO. 2UB-KPUB05-01BGF	
X.XX	±0.25	CHKD	2015.05.08	SCALE 1:1	UNIT: mm
X.XXX	±0.20	APVD	GAOWEI	SIZE: A3	SHEET: 1 OF 1
		REV: A6			
CUSTOMER COPY					