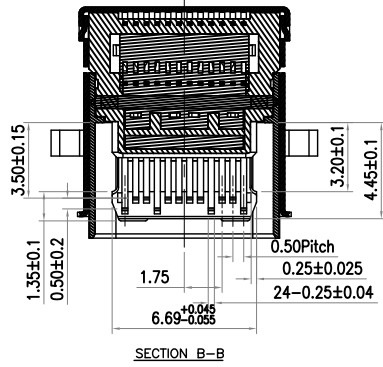
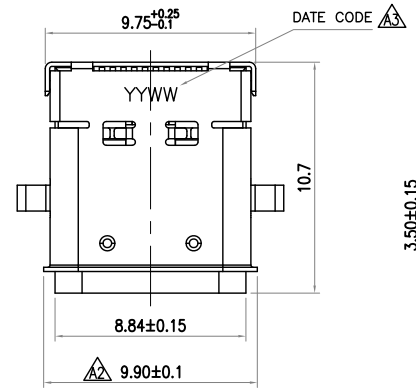
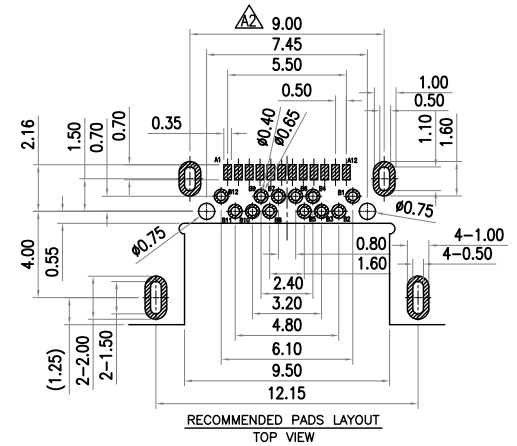


"\*": INDICATES THE KEY DIMENSIONS ["\*"为重點尺寸]

* REVISIONS				
LTR	DESCRIPTION	DATE	REVISED	APPROVED
A2	更正尺寸	2018.06.05	H.RP	GAOWEI
A3	新增D/C噴碼	2019.01.04	H.RP	GAOWEI

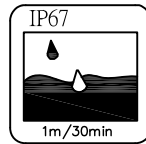
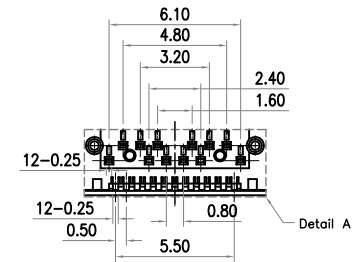
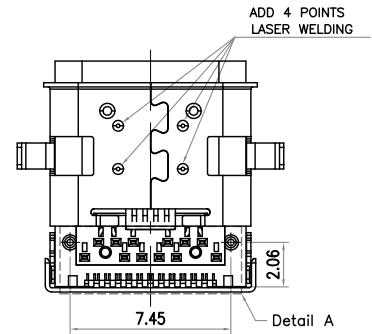
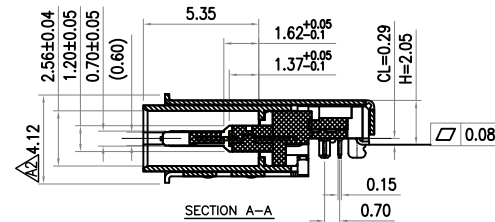
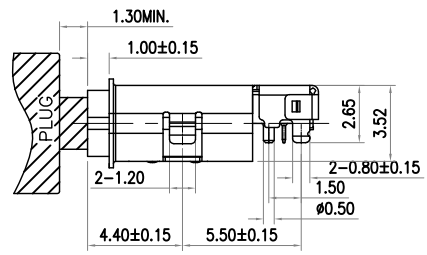
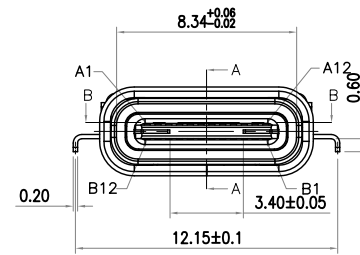


Pin	Signal Name	Mating Sequence	Pin	Signal Name	Mating Sequence
A1	GND	First	B12	GND	First
A2	SSTXp1	Second	B11	SSRXp1	Second
A3	SSTXn1	Second	B10	SSRXn1	Second
A4	Vbus	First	B9	Vbus	First
A5	CC1	Second	B8	SBU2	Second
A6	Dp1	Second	B7	Dn2	Second
A7	Dn1	Second	B6	Dp2	Second
A8	SBU1	Second	B5	CC2	Second
A9	Vbus	First	B4	Vbus	First
A10	SSRXn2	Second	B3	SSTXn2	Second
A11	SSRXp2	Second	B2	SSTXp2	Second
A12	GND	First	B1	GND	First
SHELL	GND		SHELL	GND	



- SPECIFICATION**
- CURRENT RATING :  
 5A MAX. for VBUS (A4,A9,B4,B9)  
 1.25A MAX. for Vconn PIN(B5 of Plug)  
 WITH RETURN PATH THROUGH THE CORRESPONDING GND PIN(A1,A12,B1,B12).  
 0.25A MAX. for ALL OTHER PIN
  - RATING VOLTAGE : 30V DC/AC
  - DIELECTRIC WITHSTANDING VOLTAGE :  
 100V AC R.M.S. FOR ONE MINUTE.
  - INSULATION RESISTANCE : 100M OHMS MIN.
  - CONTACT RESISTANCE : 40m OHMS MAX.
  - INSERTION FORCE : 5~20N
  - EXTRACTION FORCE : 8~20N
  - DURABILITY : 10,000 CYCLE.
  - OPERATING TEMPERATURE : -40°C TO +85°C.

Note:FOR REFLOW SOLDERING LEAD-FREE PROCESS & The O-Ring can not go through the IR process with waterproof connector together.  
 10. Housings and O-rings are packed separately.  
 11. The connector can go through the IR process once only.



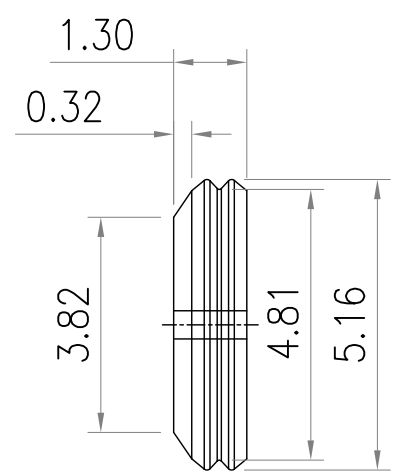
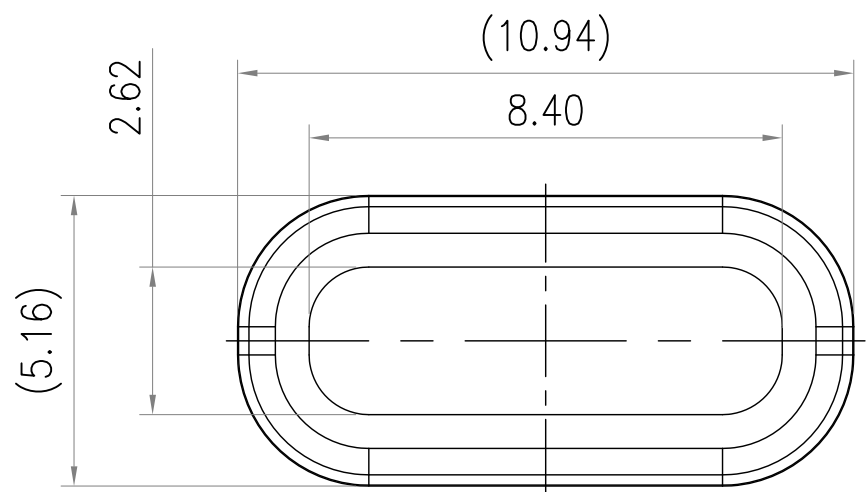
5.PART NUMBER:  
**2UB-KPUB07-JB1F-R**

R: Tape reel;  
 1: GOLD PLATED ON CONTACT AREA,  
 TIN PLATED ON SOLDER TAIL,  
 UNDER NICKEL PLATED OVER ALL.

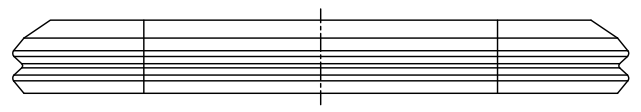
4	INNER SHELL	STAINLESS STEEL t=0.25	N/A
3	OUTER SHELL	STAINLESS STEEL t=0.20	Ni PLATING
2	CONTACT	COPPER ALLOY t=0.15	SEE PART NUMBER
1	INSULATOR	HI-TEMP. PLASTIC	UL94V-0 BLACK
LTR	PART NAME	MATERIAL	REMARK

-TOLERANCES- UNLESS OTHERWISE SPECIFIED 公差				Singatron Enterprise Co., Ltd.			
X.X	±0.30	X.X'	±3°	TITLE	USB 3.1 C TYPE FEMALE 24P SMT+DIP TYPE, WATERPROOF MID MOUNT TYPE		
X.XX	±0.20	X.XX'	±1°	DWN	H.RP 2018.06.01	PART NO.2UB-KPUB07-JB1F-R	
X.XXX	±0.15			CHKD	GAOWEI 2018.06.01	SCALE 1:1	UNIT: mm
				APVD	GAOWEI 2018.06.01	SIZE: A3	SHEET:1 OF 1
						REV: A3	CUSTOMER COPY

HALOGEN FREE



防水圈材質:矽膠

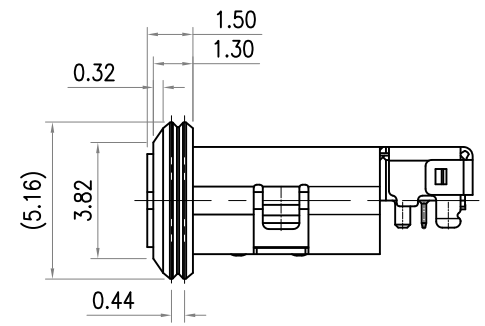
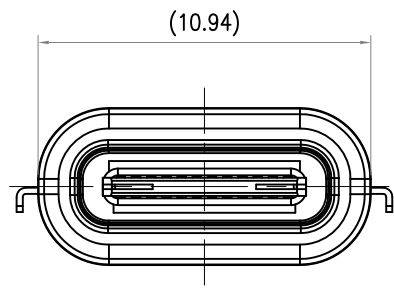
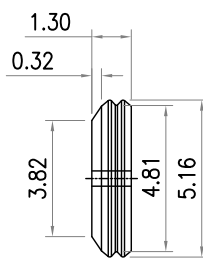
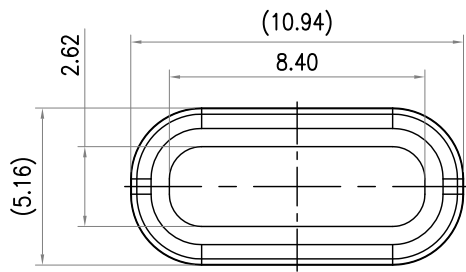


HALOGEN FREE

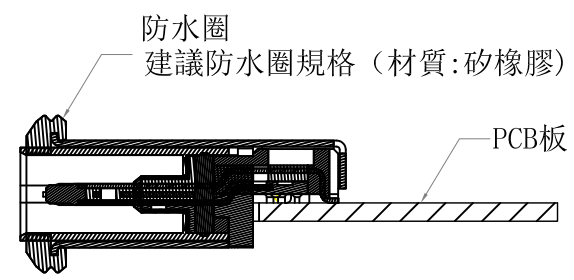
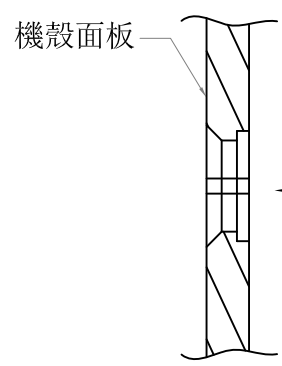
* REVISIONS				
LTR	DESCRIPTION	DATE	REVISED	APPROVED

-TOLERANCES- UNLESS OTHERWISE SPECIFIED 公差		Singatron Enterprise Co., Ltd.			
		TITLE O-RING			
X.X ±0.30	X.X° ±3°	DWN	H.RP 2018.06.01	PART NO.2UB-KPUB07-JB1F-R	
X.XX ±0.20	X.XX° ±1°	CHKD	GAOWEI 2018.06.01	SCALE 1:1	UNIT: mm
X.XXX ±0.15		APVD	GAOWEI 2018.06.01	SIZE: A3	SHEET:1 OF 1
CUSTOMER COPY					
REV: A3					

* REVISIONS				
LTR	DESCRIPTION	DATE	REVISED	APPROVED



防水圈材質:矽膠



組裝方式, 左右方向裝配

-TOLERANCES- UNLESS OTHERWISE SPECIFIED 公差		Singatron Enterprise Co., Ltd.		
X.X ±0.30	X.X' ±3°	TITLE	USB 3.1 C TYPE FEMALE	
X.XX ±0.20	X.XX' ±1°	DWN	24P SMT+DIP TYPE, WATERPROOF MID MOUNT TYPE	
X.XXX ±0.15		CHKD	H.RP 2018.06.01	PART NO.2UB-KPUB07-JB1F-R
		APVD	GAOWEI 2018.06.01	SCALE 1:1 UNIT: mm
			GAOWEI 2018.06.01	SIZE: A3 SHEET:1 OF 1 REV: A3
				CUSTOMER COPY