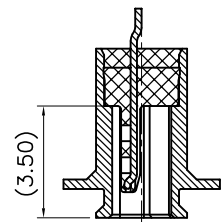
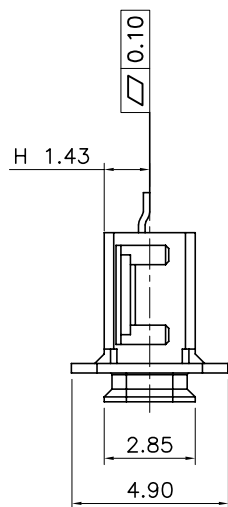
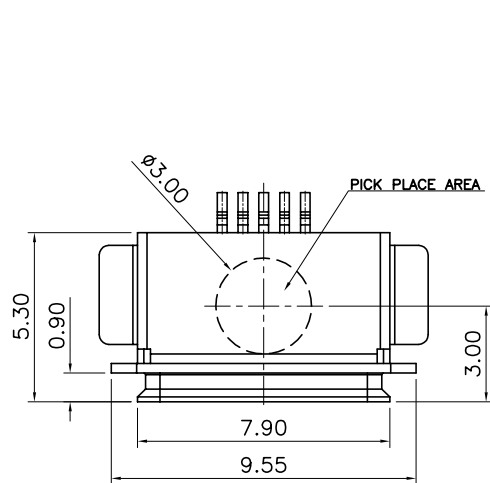
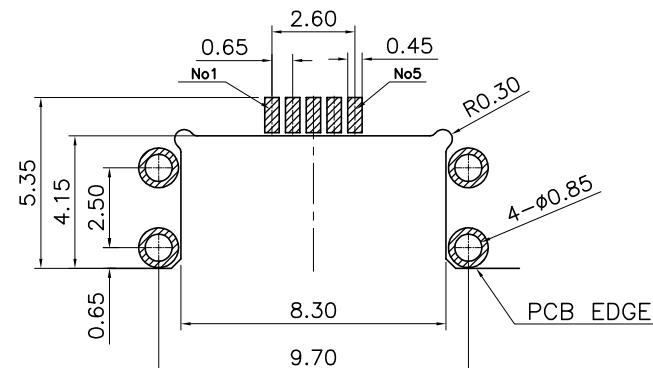


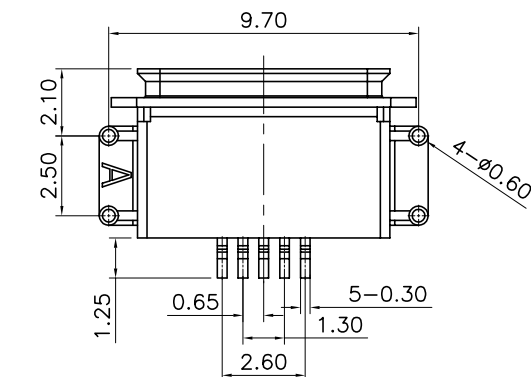
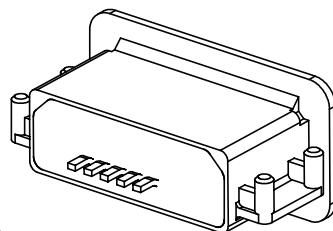
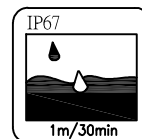
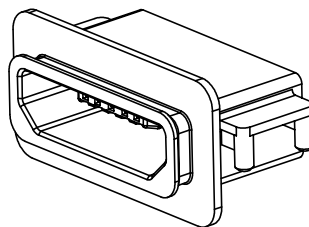
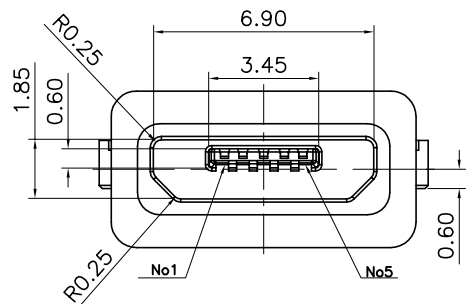
\*: INDICATES THE KEY DIMENSIONS [\*为重點尺寸]



SECTION A-A



RECOMMENDED PCB LAYOUT  
TOLERANCE:  $\pm 0.03\text{mm}$   
RECOMMEND PCB THICKNESS: 0.60mm



4. SPECIFICATION:

- 4.1. ELECTRICAL CHARACTERISTICS  
 CONTACT CURRENT RATING: 1A MIN.  
 VOLTAGE RATING: 30V AC rms.  
 CONTACT RESISTANCE: 30mΩ MAX.  
 DIELECTRIC WITHSTANDING VOLTAGE:  
 UNMATEP CONTACT 100V AC rms. 60MHZ FOR 1 MINUTE.  
 INSULATION RESISTANCE: 1000MΩ MIN. 100V DC  
 TEMPERATURE RANGE: -20°C TO +85°C
- 4.2. MECHANICAL:  
 INSERTION FORCE: 35N MAX.  
 WITHDRAWAL FORCE: 8N MIN.  
 DURABILITY: 10,000 CYCLES.
5. FOR REFLOW SOLDERING LEAD-FREE PROCESS & The O-Ring can not go through the IR process with waterproof connector together.  
 6. Housings and O-rings are packed separately.

4	BOND	1	EPOXY	BLACK
3	CONTACT	1Set	COPPER ALLOY	MB:Ni Gold Flash
2	SHELL	1	ZN ALLOY	Ni PLATED
1	INSERT MOLDING	1	LCP	UL94V-0 BLACK
LTR	PART NAME	QTY	MATERIAL	REMARK
-TOLERANCES- UNLESS OTHERWISE SPECIFIED 公差		Singatron Enterprise Co., Ltd.		
X.X	$\pm 0.30$	X.X'	$\pm 3'$	TITLE MICRO USB BF STD CL0.00 H1.42mm waterproof
X.XX	$\pm 0.25$	X.XX'	$\pm 1'$	DWN 2018.11.22 H.RP PART NO. 2UB-KPUB15-BG
X.XXX	$\pm 0.20$			CHKD 2018.11.22 GAOWEI SCALE 1:1 UNIT: mm
				APVD 2018.11.22 GAOWEI SIZE: A3 SHEET: 1 OF 1 REV: A
<b>CUSTOMER COPY</b>				

RoHS Compliant