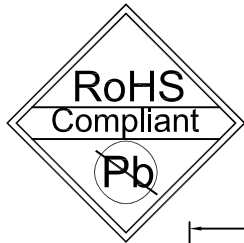
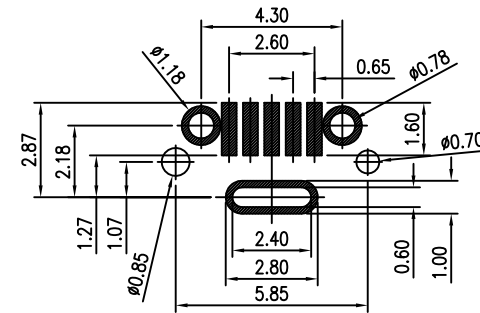
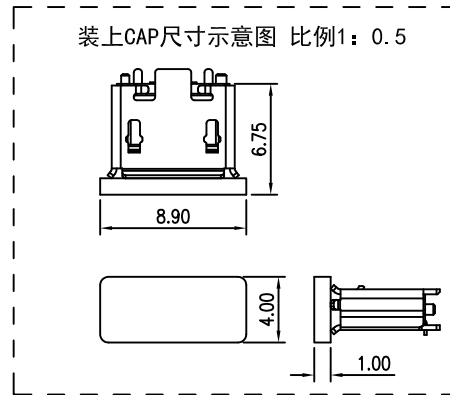
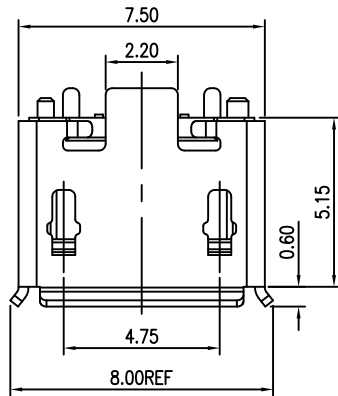


REV	ECN No.	DATE	REMARK
A0	NEW	2017.04.24	NEW RELEASE



SPECIFICATION:

- 1 CURRENT RATING: 0.5A(2.3.4CONTACT)/1.8A(1.5CONTACT) MAX.
- 2 VOLTAGE: 30 VAC
- 3 TEMPERATURE RANGE: -30 °C ~ 85 °C
- 4 CONTACT RESISTANCE: 30 MILLIONHM MAX.
- 5 DIELECTRIC WITHSTANDING VOLTAGE: 250 VAC r.m.s
- 6 INSULATION RESISTNACE: 100 MEGOHMS MIN



RECOMMENDED PCB LAYOUT(TOP VIEW)
GENERAL TOLERANCES:±0.05

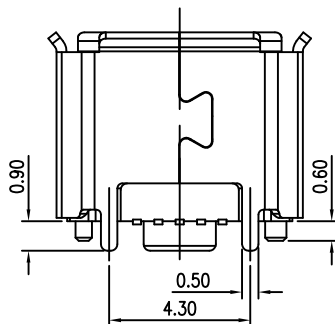
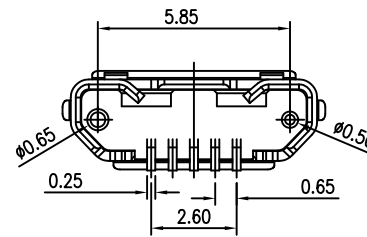
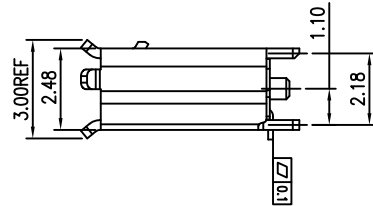
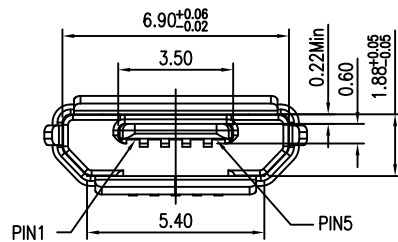


TABLE:

2UB-MF016SLB11R-A-01	4	CAP	LCP UL94V-0	BLACK	1PCS	24H	Reel
	3	CONTACT	C2680 T=0.15mm	Au 1μ" PLATING ON CONTACT AREA Ni UNDERPLATING OVERALL	1SET		
	2	HOUSING	LCP UL94V-0	BLACK	1PCS		
	1	SHELL	SUS 304 T=0.30mm	Tin PLATING ON CONTACT AREA Ni UNDERPLATING OVERALL	1PCS		
PRAT NO.	NO.	DESCRIPTION	MATERIAL	REMARKS	QTY	≠	PACKAGING

Singatron Enterprise Co., Ltd.

QUALITY SYMBOL = 0 ∇ = 0	GENERAL TOLERANCES (UNLESS SPECIFIED)	
	x.xxxxx	± ---
	x.xxx	± 0.10
	x.xx	± 0.25
	x.x	± 0.30
ANGULAR	± ---°	

TITLE	MIRCO USB 5F B TYPE 180度 SMT 有柱 有卷边		
DWN	SAM 2017.04.24	PART NO.	2UB-MF016SLB11R-A-01
CHKD	JAY 2017.04.24	SCALE 1:1	UNIT: mm
APVD	JACKY 2017.04.24	SIZE: A3	SHEET: 1 OF 1 REV: A0

CUSTOMER COPY