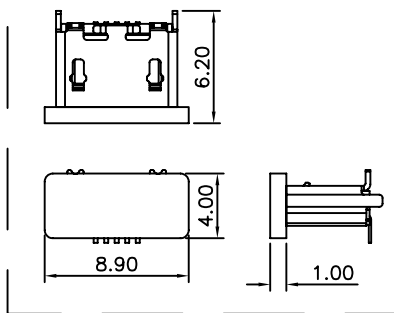


SYM	ECN NO.	DESCRIPTION	DATE	APP'D
A	N/A	NEW	2017.11.16	Jay

装上CAP尺寸示意图 比例1:2



SPECIFICATION:

- CURRENT RATING: 0.5A(2.3.4CONTACT)/1.8A(1.5CONTACT) MAX.
- VOLTAGE: 30 VAC
- TEMPERATURE RANGE: -30 °C ~ 85 °C
- CONTACT RESISTANCE: 30 MILLIONHM MAX.
- DIELECTRIC WITHSTANDING VOLTAGE: 250 VAC r.m.s
- INSULATION RESISTANCE: 100 MEGOHMS MIN
- DURABILITY: 10,000 CYCLES

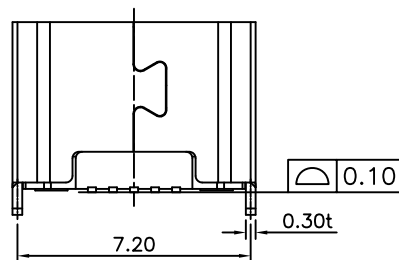
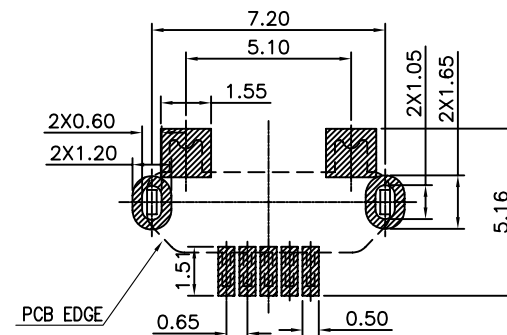
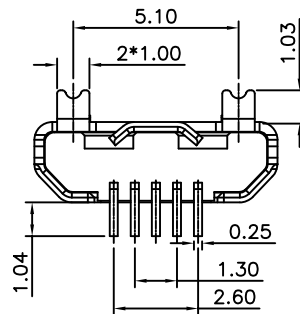
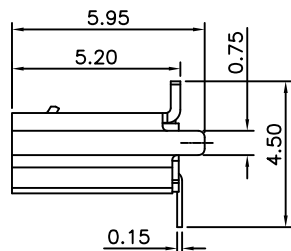
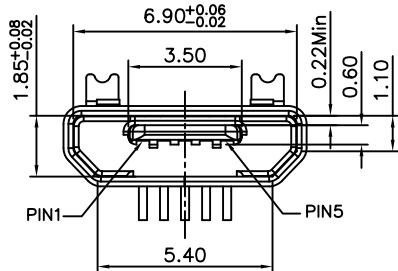
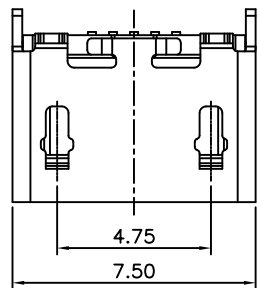


TABLE:

RECOMMENDED PCB LAYOUT(TOP VIEW)					
GENERAL TOLERANCES:±0.05					
2UB-MFAB002-0533L107R	4	CAP	LCP UL94V-0	BLACK	1PCS
	3	CONTACT	C2680 T=0.15mm	Au 1u" PLATING ON CONTACT AREA; Ni UNDERPLATING OVERALL	1SET
	2	HOUSING	LCP UL94V-0	BLACK	1PCS
	1	SHELL	SUS 304 T=0.30mm	TiN PLATING ON CONTACT AREA; Ni UNDERPLATING OVERALL	1PCS
PRAT NO.	NO.	DESCRIPTION	MATERIAL	REMARKS	QTY 包装 PACKAGING

5	GND	QUALITY SYMBOL = 0 ∇ = 0	GENERAL TOLERANCES (UNLESS SPECIFIED)
4	ID		
3	D+		
2	D-		
1	VBUS		
PIN	NAME		
PIN ASSIGNMENT		ANGULAR	

Singatron Enterprise Co., Ltd.

TITLE MICRO USB 5P 直立式SMT无翻边

DWN Jay 2017.11.16 PART NO. 2UB-MFAB002-0533L107R

CHKD Sam 2017.11.16 SCALE 1:1 UNIT: mm

APVD Allen 2017.11.16 SIZE: A3 SHEET: 1 OF 1 REV: A

CUSTOMER COPY