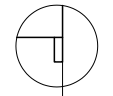
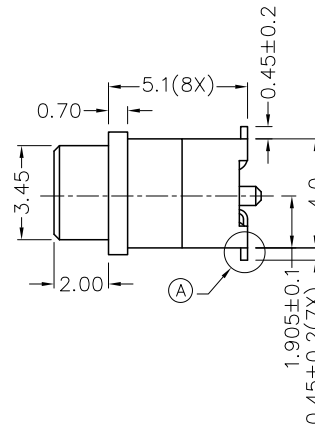
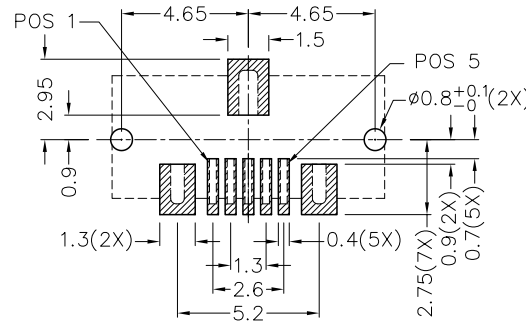
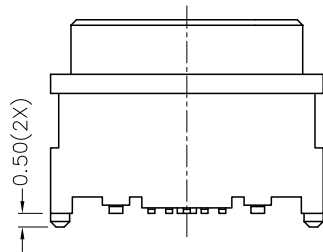
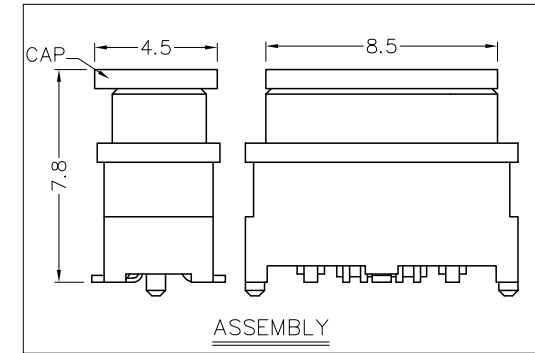
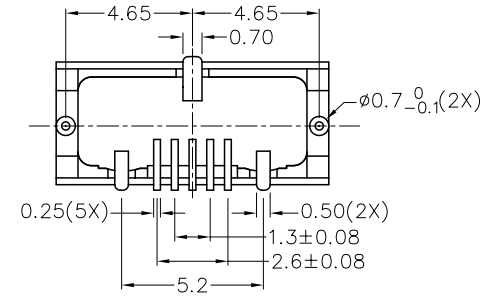


RoHS
Compliant



COPLANARITY
A DETAIL



RECOMMENDED PCB LAYOUT
TOLERANCE: ±0.05
(TOP VIEW)

DESCRIPTION	MATERIAL	PLATING
TERMINALS	COPPER ALLOY	NICKEL PLATED ON ALL AREA, GOLD FLASH ON CONTACT & SOLDER AREA
SHELL	STAINLESS STEEL	NICKEL PLATED
INSULATOR	HIGH TEMP. PLASTIC	COLOR:BLACK
HOUSING	HIGH TEMP. PLASTIC	COLOR:BLACK
CAP	HIGH TEMP. PLASTIC	COLOR:BLACK

Singatron Enterprise Co., Ltd.

TITLE	WATERPROOF/DUSTPROOF MICRO USB B TYPE CONNECTOR		
DWN	H.L.TAN 25-5-2018	PART NO.	2UB-TW4003D
CHKD	J.H.ZHOU 25-5-2018	SCALE	1:1 UNIT: mm
APVD	T.Y.LI 23-11-2018	SIZE: A3	SHEET: 1 OF 1 REV:

TOLERANCE UNLESS 0.0±0.2
0.00±0.1
OTHERWISE SPECIFIED: 0.000±0.05

CUSTOMER COPY

1

2

3

4

5

6

7

8

F

E

D

C

B

A

F

E

D

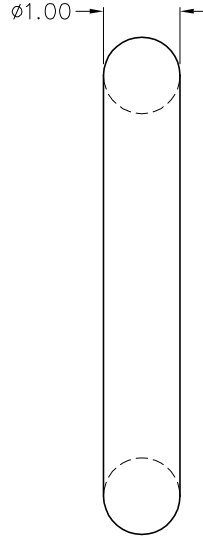
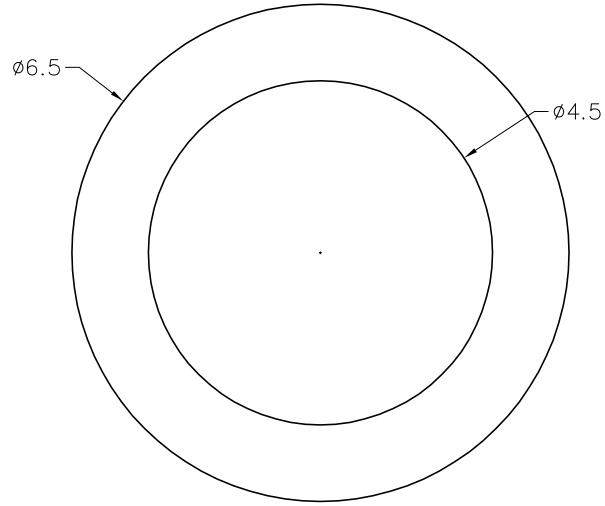
C

B

A

RoHS
Compliant

ZONE	SYMBOL	REVISION	APPROVAL	DATE
		VERSION FORMAT CHANGED FROM ALPHABET TO NUMERIC	J.X.KUANG	17-3-2017



NOTES
 MATERIAL
 M1.MATERIAL: Silicone,94V-0
 M2.HARDNESS: 70°

Singatron Enterprise Co., Ltd.

TITLE	O-RING			
DWN	H.L.TAN 17-3-2017	PART NO.	O-RING-1	
CHKD	J.H.ZHOU 17-3-2017	SCALE	1:1	UNIT: mm
APVD	T.Y.LI 17-3-2017	SIZE:	A3	SHEET: 1 OF 1
		REV:	A	

TOLERANCE UNLESS 0.0±0.2
 0.00±0.1
 OTHERWISE SPECIFIED: 0.000±0.05

CUSTOMER COPY