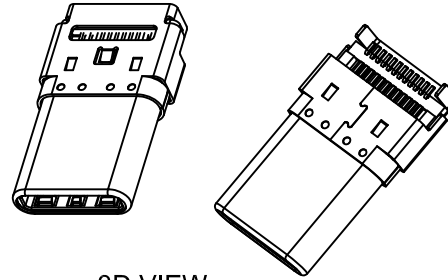
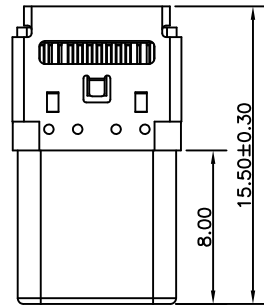
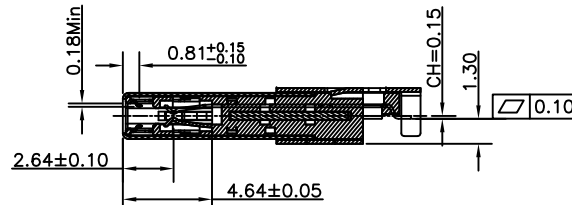
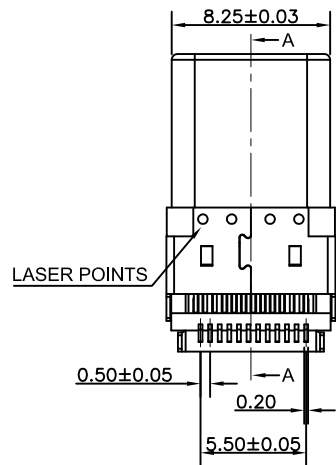
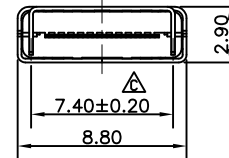
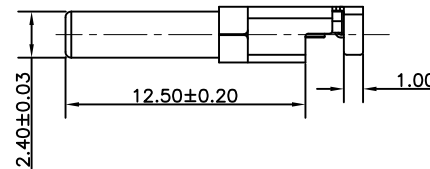
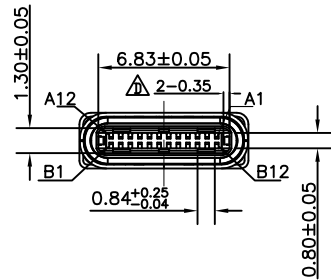


RoHS Compliant

REV	ECN No.	DATE	REMARK
A	NEW	2018.06.13	NEW RELEASE
B	ECN2003008	2020.03.19	增加MYLAR规格
C	ECN2006015	2020.06.16	修改铁壳脚7.4正负0.1公差改为正负0.2
D	ECN2009002	2020.09.02	依客人要求增加卡勾尺寸
E	ECN2011002	2020.11.10	增加真空包装料号规格
F	ECN2110001	2021.10.15	增加外壳镀黑镍规格



3D VIEW



SECTION: A-A

NOTE:

- Electrical Characteristics:
 Current Rating: 5A For Pin(A4,A9,B4,B9)
 1.25A For Others Pin
 Insulation Resistance: 100MΩ Min.
 Contact Resistance: 40 mΩ Max.
 Dielectric Withstanding Voltage:100V/AC 1Minute
- Mechanical Characteristics:
 Insertion Force: 5~20N
 Extraction Force: Initial: 8~20N
 After durability: 6~20N
 Durability :10000 Cycles
- Salt Spray :24H/48H
- Operating Temperature: -30°C TO +85°C

5. PART NUMBER CODE:

2UB073 - 24 X L B XX X C C - 68
 (1) (2) (3) (4) (5) (6)

△ (1) SHELL PLATED:
 BLANK:普通镍(常用料)
 J: 镀黑镍

(2) HOUSING COLOR:
 B:BLACK

(3) CONTACTS PLATED:
 02:半金锡3u"
 05:半金锡30u"

(4) PACKING OPTIONS:
 R:TAPE & REEL
 VR:TAPE & REEL+真空包装(专用客户指定包装)

(5) CONTACTS PLATED:
 C:带塞子(常用料)

(6) CONTACTS PLATED:
 C:盐雾48H

ITEM	NAME	QTY	MATERIAL	DESCRIPTION
6	Shield	1	Stainless Steel	Bright Nickel Plating
5	Housing	4	LCP	Color: Black
4	Latch	1	Stainless Steel	
3	Contact	24	Copper Alloy	3u"gold plated on Contact area, Matte Tin plated on Solderails, Nickel underplating over all
2	Emc Spring	2	Stainless Steel	
1	Shell	1	Stainless Steel	Bright Nickel Plating

Singatron Enterprise Co., Ltd.

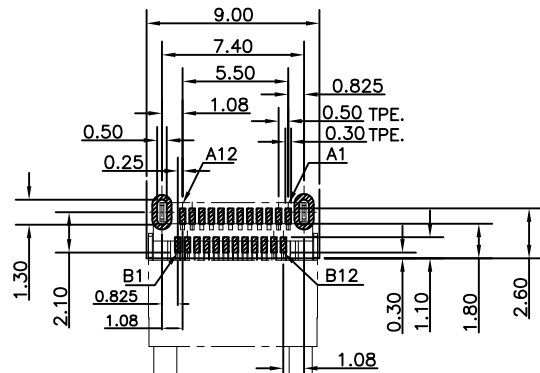
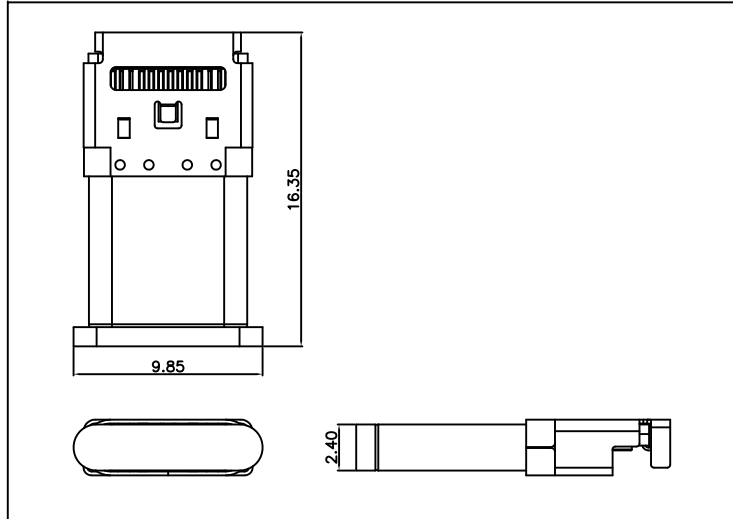
GENERAL TOLERANCES (UNLESS SPECIFIED)		TITLE			
x.xxxxx	± ---	DWN	SAM	U.S.B TYPE C PLUG SMT MIDDLE MOUNT RIGHT ANGLE L=15.5MM	
x.xxx	± 0.10	CHKD	2021.10.15	PART NO. 2UB073-24XLBXXCC-68	
x.xx	± 0.25	APVD	JACKY	SCALE 1:1	UNIT: mm
x.x	± 0.30			SIZE: A3	SHEET:1 OF 2
ANGULAR	± --'				REV: F

CUSTOMER COPY

RoHS Compliant 

REV	ECN No.	DATE	REMARK
A	NEW	2018.06.13	NEW RELEASE
B	ECN2003008	2020.03.19	增加MYLAR规格
C	ECN2006015	2020.06.16	修改铁壳脚7.4正负0.1公差改为正负0.2
D	ECN2009002	2020.09.02	依客人要求增加卡勾尺寸
E	ECN2011002	2020.11.10	增加真空包装料号规格
F	ECN2110001	2021.10.15	增加外壳镀黑镍规格

带塞子尺寸示意图



RECOMMENDED P.C.B. LAYOUT
T=0.80 OR 1.00mm
TOLERANCE UNSPECIFIED ±0.05mm

USB TYPE-C PIN ASSIGNMENTS

PIN NUMBER	SIGNAL NAME	PIN NUMBER	SIGNAL NAME
A1	GND	B12	GND
A2	SSTXp1	B11	SSRXp1
A3	SSTXn1	B10	SSRXn1
A4	Vbus	B9	Vbus
A5	CC1	B8	SBU2
A6	Dp1	B7	Dn2
A7	Dn1	B6	Dp2
A8	SBU1	B5	CC2
A9	Vbus	B4	Vbus
A10	SSRXn2	B3	SSTXn2
A11	SSRXp2	B2	SSTXp2
A12	GND	B1	GND

Singatron Enterprise Co., Ltd.

GENERAL TOLERANCES (UNLESS SPECIFIED)		TITLE	U.S.B TYPE C PLUG SMT MIDDLE MOUNT RIGHT ANGLE L=15.5MM			
x.xxxx	± ---	DWN	SAM	PART NO.	2UB073-24XLBXXCC-68	
x.xxx	± 0.10	CHKD	2021.10.15	SCALE	1:1	UNIT: mm
x.xx	± 0.25	APVD	JACKY	SIZE: A3	SHEET: 2 OF 2	REV: F
x.x	± 0.30	CUSTOMER COPY				
ANGULAR	± --'					