

PIN NUMBER	SIGNAL NAME
1	VBUS
2	D-
3	D+
4	GND
5	StdA_SSRX-
6	StdA_SSRX+
7	GND_DRAIN
8	StdA_SSTX-
9	StdA_SSTX+
Shell	Shield

NOTES:

- ELECTRONIC:
 - CONTACT CURRENT RATING: 1.5A
 - CONTACT RESISTANCE: 30mohm Max
 - INSULATION RESISTANCE: 1000 Megohms Min
 - WITHSTAND VOLTAGE: AC100V, 1Min.
- MECHANICAL:
 - MATING FORCE: 3.57KG Max
 - UNMATED FORCE: 0.8KG Min
 - DURABILITY: 1500 CYCLES
- ENVIRONMENT CHARACTERISTICS:
 - OPERATING TEMPERATURE: -40° C TO +85° C

4.MATERIAL LIST:

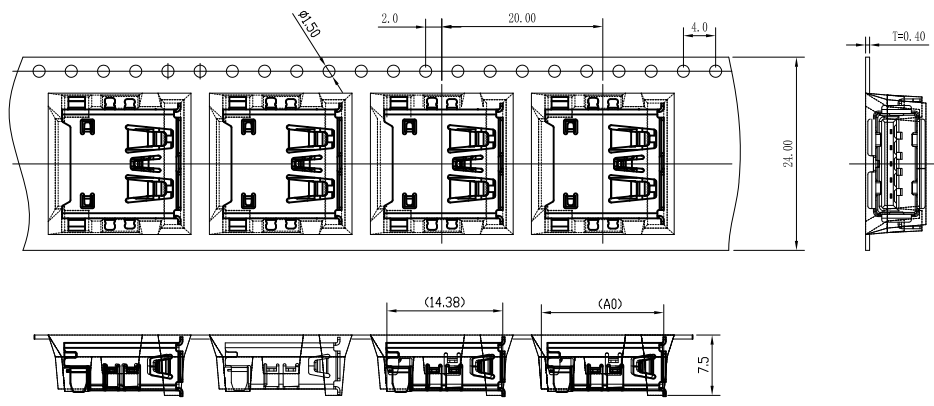
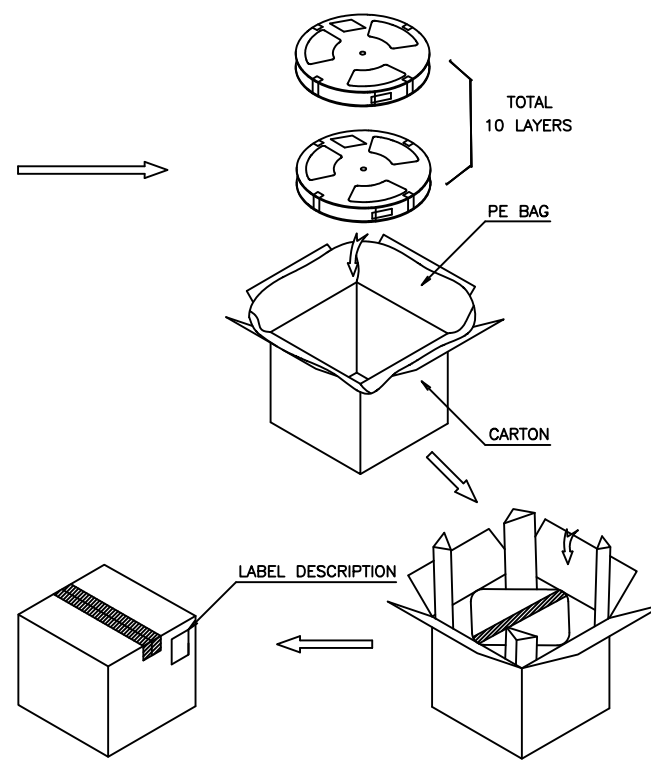
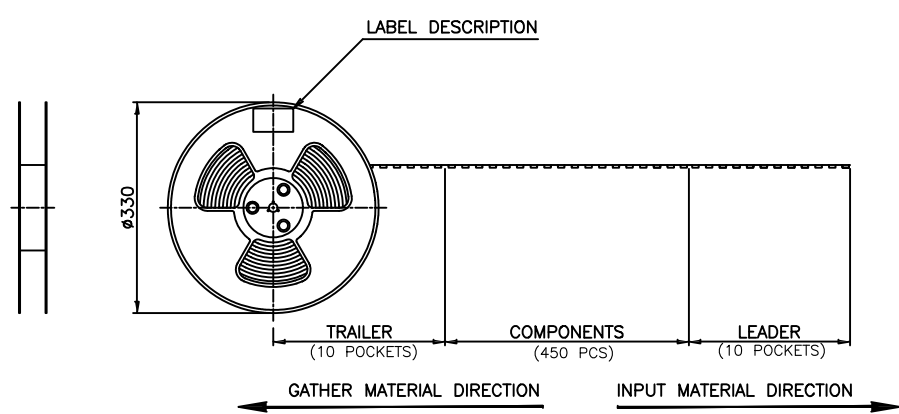
No.	PART NAME	QTY	MATERIAL	REMARK
3	SHELL	1	COPPER ALLOY/SUS/SPCC	NI PLATED
2	CONTACT	9	COPPER ALLOY	AU /TIN PLATED
1	HOUSING	1	THERMOPLASTIC(LCP)	(UL 94V-0) BLUE

UNLESS OTHERWISE SPECIFIED TOLERANCES				Singatron Enterprise Co., Ltd.			
DECIMALS:		ANGLES:		TITLE	USB3.2 Gen2 AF SMT 沉板 外壳6支脚		
DIM	TOL	DIM	TOL	DWN	Tony	PART NO. 2UB09-1590-000H	
X.	±0.50	X.	±2°	CHKD	2020.3.15	SCALE 1:1	UNIT: mm
X.X	±0.30	X.X	±1°	APVD	Andy	SIZE: A3	SHEET: 1 OF 2
X.XX	±0.20	X.XX	///	REV: A1			
X.XXX	±0.10	X.XXX	///	CUSTOMER COPY			

1 2 3 4 5 6 7 8

F
E
D
C
B
A

F
E
D
C
B
A



	REEL/TRAY	CARTON
CONNECTOR (PCS)	450	4500

Singatron Enterprise Co., Ltd.					
UNLESS OTHERWISE SPECIFIED TOLERANCES		TITLE USB3.2 Gen2 AF SMT 沉板 外壳6支脚 DWN Tony PART NO. 2UB09-1590-000H CHKD 2020.3.15 SCALE 1:1 UNIT: mm APVD Andy SIZE: A3 SHEET: 2 OF 2 REV: A1			
DECIMALS:		ANGLES:			
DIM	TOL	DIM	TOL		
X.	±0.50	X.	±2°		
X.X	±0.30	X.X	±1°		
X.XX	±0.20	X.XX		CUSTOMER COPY	
X.XXX	±0.10	X.XXX			

1 2 3 4 5 6 7 8