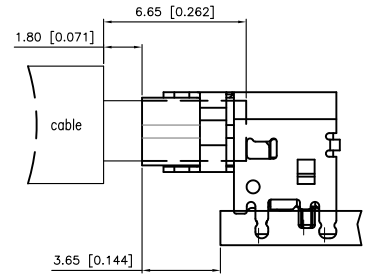
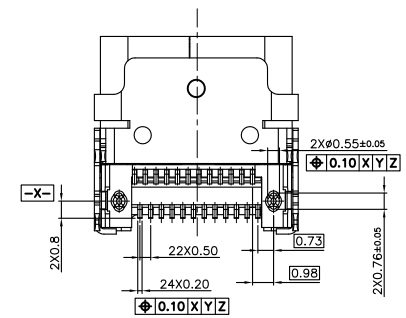
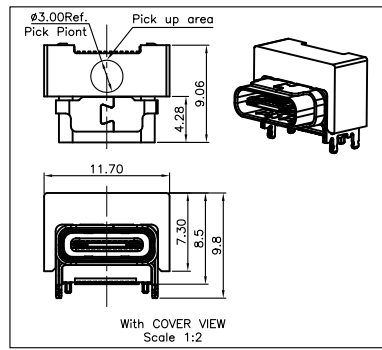
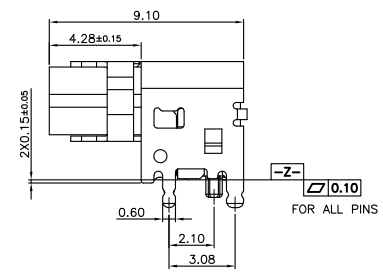
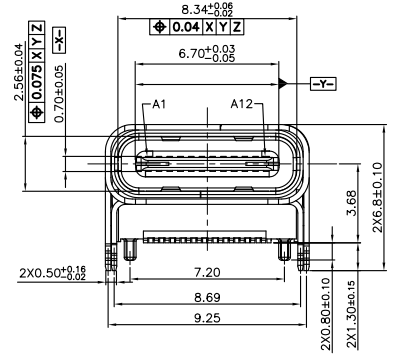
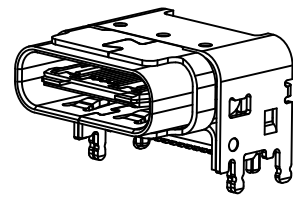
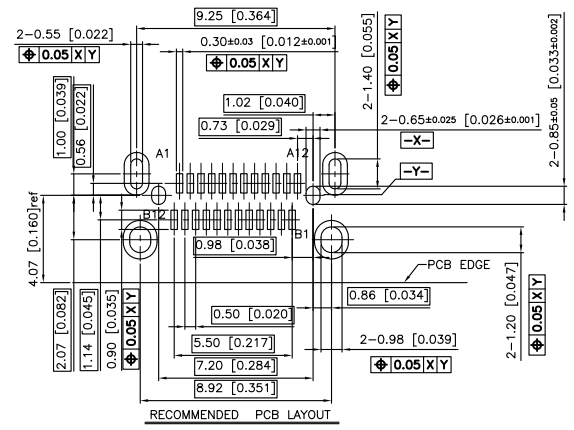
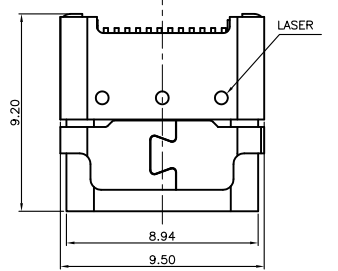


RoHS Compliant



10	COVER	LCP	1	Black, UL94 V-0
09	UNDER SHELL	SUS304	1	T=0.25 ,Solder area Plating Au 1U"
08	OUTER SHELL	SUS304	1	T=0.25,Solder area Plating Au 1U"
07	INNER SHELL	SUS304	1	T=0.30
06	OVER MOULDING		1	Black, UL94 V-0
05	BOTTOM CONTACT I/M	LCP	1	Black, UL94 V-0
04	TOP CONTACT I/M		1	Black, UL94 V-0
03	SHIELDING PLATE	SUS301	1	T=0.15 ,Plating nickel
02	BOTTOM CONTACT	Copper alloy	1	T=0.12 Au 30u" Plated at contact area,1U" MIN plated at solder area.
01	TOP CONTACT	Copper alloy	1	T=0.12 Au 30u" Platedat at contact area,1U" MIN plated at solder area.
NO.	VARIETY	MATERIAL	QTY	REMARK

UNLESS OTHERWISE,  
GENERAL TOLERANCE:  
X.xxx ±0.10  
X.xx ±0.15  
X.x ±0.20  
X. ±0.25  
ANGULAR:  
X.xx ±1°  
X.x ±3°  
X. ±5°

<b>Singatron Enterprise Co., Ltd.</b>			
TITLE	USB TYPE C Dual SMT L=9.1,CL3.68		
DWN	钟凯 2017.11.01	PART NO.	2UB0TC24-0777-00000H
CHKD	邓志江 2017.11.01	SCALE 1:1	UNIT: mm
APVD	邓志江 2017.11.01	SIZE: A3	SHEET: 1 OF 1 REV: x
<b>CUSTOMER COPY</b>			

N/A	X	NEW DRAWING	2017.08.19	钟凯
ECN NO.	REV.	DESCRIPTION	DATE	CHANGE