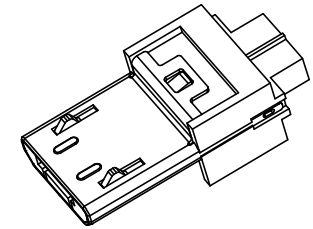
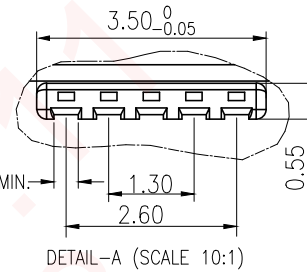
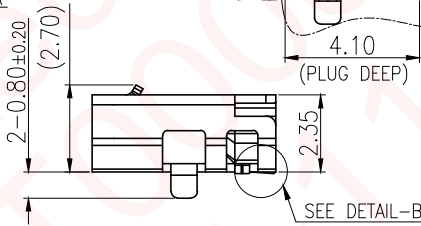
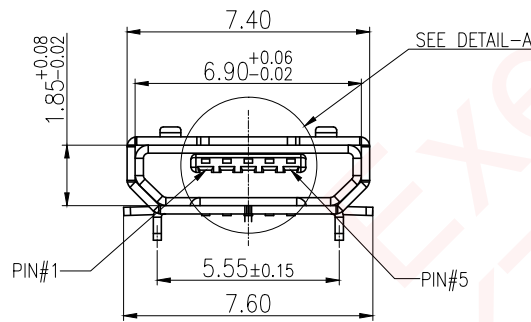
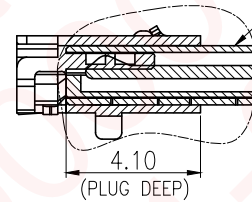
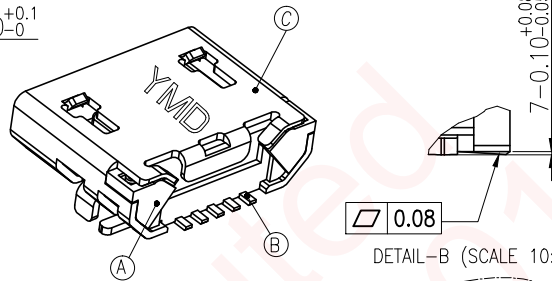
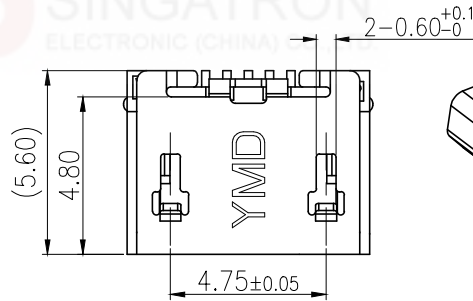


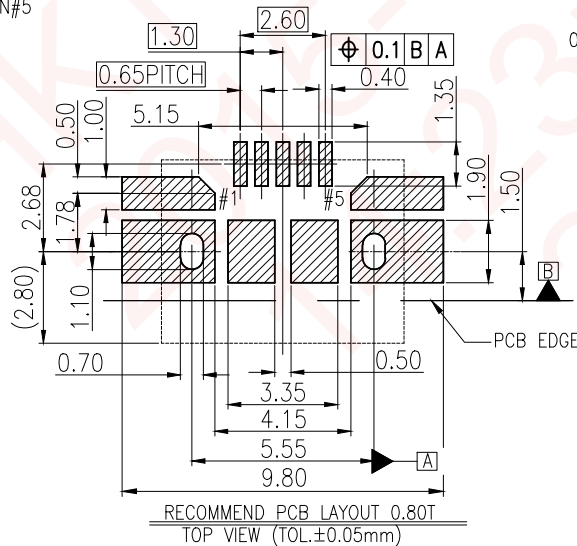
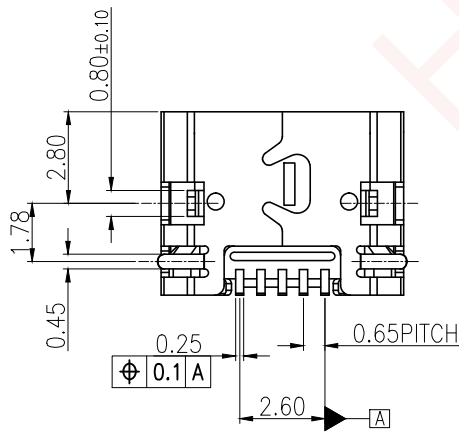
REV.	ECN NO OR DESCRIPTION	REVISED	DATE
F	ECN:C130233 UPDATE DRAWING	TFY	2014.01.09
G	ECN:C140290 UPDATE DRAWING	Junkang	2015.01.23
H	ECN:S150856-C	△ PENG	2015.10.14

SPECIFICATIONS:

- ELECTRICAL CHARACTERISTICS:
 - 1-1. RATING: 5V/3.6A (PIN1/5), 0.5A (PIN2/3/4) 40mΩ MAX.(FINAL)
 - 1-2. CONTACT RESISTANCE: 30mΩ MAX.(INITIAL)
 - 1-3. DIELECTRIC WITHSTANDING VOLTAGE: 500V AC FOR ONE MINUTE.
 - 1-4. INSULATION RESISTANCE: 100MΩ MIN. MEASURED BY 500 VDC
- MECHANICAL CHARACTERISTICS:
 - 2-1. INSERTION FORCE : 3.6 KGF (MAX)
 - 2-2. WITHDRAWAL FORCE : 0.8 KGF(Reference)
- LIFE TEST: 10,000 CYCLES .
- OTHER GENERAL SPEC. TO REFER "MICRO USB SERIES SPEC".
- TO CONFORM TO THE SINGATRON HSF SPEC.
- HALOGEN FREE PRODUCT IDENTIFICATION MARK ON PRODUCT:
- HALOGEN FREE PRODUCT IDENTIFICATION LABEL ON PACKAGING:
- FOR REFLOW SOLDERING LEAD-FREE PROCESS.
- SOLDER HEAT RESISTANCE REFLOW SOLDERING 260°C 10SECS.
- PLUG INTERFACE DIMENSIONS CONFORM TO USB2.0 SPEC.
- PACKAGING: TAPE & REEL.



RECOMMEND MATING PLUG



RECOMMEND PCB LAYOUT 0.80T
TOP VIEW (TOL.±0.05mm)

C	SHELL	1	STAINLESS STEEL 0.25T	MATTE TIN
B	CONTACT	5	COPPER ALLOY 0.15T	30u"Au ON CONTACT AREA GOLD FLASH ON SOLDER AREA
A	HOUSING	1	HI-TEMP. THEROM-PLASTIC UL94V-0	BLACK
NO	DESCRIPTION	QTY	MATERIAL	PLATING & COLOR

UNLESS OTHERWISE SPECIFIED TOLERANCES

Singatron Enterprise Co., Ltd.
信音企業股份有限公司

DECIMALS: ANGLES:
X :±0.5 X :±2°
X.X :±0.3 X.X :±1°
X.XX :±0.2

TITLE	MICRO USB RECEPTACLE			
DWN	PENG	PART NO.	2UB1000-000201F	
CHKD	CERRY	SCALE	7:1	UNIT: mm
APVD	LIAO	SIZE:	A3	SHEET:1 OF 1 REV:H

CUSTOMER COPY