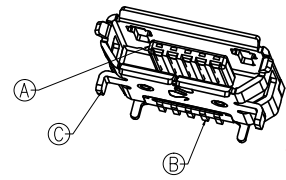
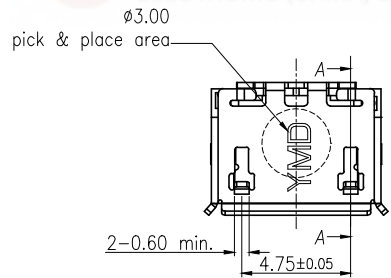
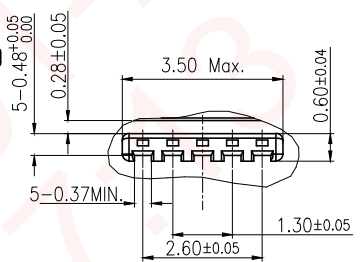
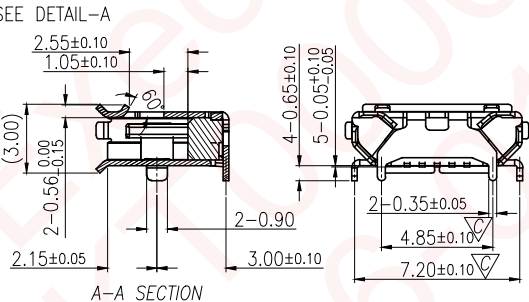
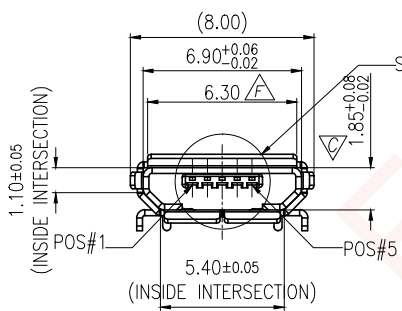


REV.	ECN NO OR DESCRIPTION	REVISED	DATE
D	ECN#C110286 Modify withdrawal force	LONGJIANG	2011.11.02
E	ECN#C120097 UPDATE DRAWING	DAOWEN	2012.05.02
F	ECN NO: S151142-Q	PENG	2016.01.06

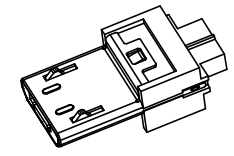


SPECIFICATIONS:

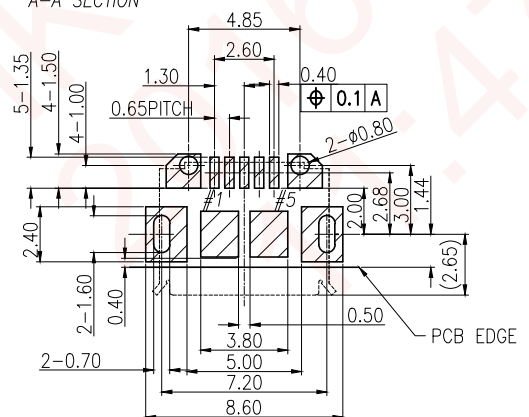
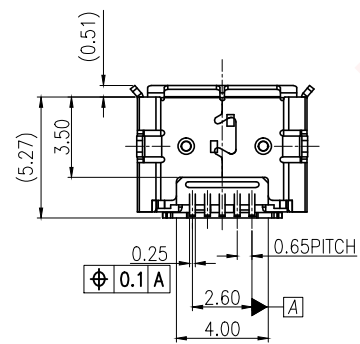
1. DATE CODE : YMD
2. TO CONFORM TO SINGATRON HAZARDOUS SUBSTANCE FREE SPEC..
3. HALOGEN FREE PRODUCT IDENTIFICATION MARK ON PRODUCT: Ⓞ
4. HALOGEN FREE PRODUCT IDENTIFICATION LABEL ON PACKAGING: Ⓞ
5. PACKAGING : TAPE & REEL
6. DETAIL SPEC. SEE MICRO USB SERIES SPEC..
7. CO-PLANARITY OF ALL SMT LEADS SHALL HBE WITHIN 0.08mm RANGE.
8. Ⓞ REPRESENTS CRITICAL DIMENSION.
9. ▽ REPRESENTS CPK DIMENSION.



2UB1000-000311  
PACKAGING  
1. TAPE & REEL  
TYPE  
3. Shielding with 4-DIP.



RECOMMEND MATING PLUG (SCALE 3:1)  
P/N : 2UP1000-000111



RECOMMEND PCB LAYOUT 0.80T  
TOP VIEW (TOL.±0.05mm)

C	SHELL	1	STAINLESS	MATT. Sn
B	CONTACT	5	COPPER ALLOY	Contact area : 30u" min. Au on top of 80u" Ni. Contact tail : 2u" min. Au on top of 80u" Ni.
A	BODY	1	HIGHT TEMP THERMOPLASTIC UL94V-0	BLACK COLOR
NO	DESCRIPTION	QTY	MATERIAL	PLATING & COLOR
UNLESS OTHERWISE SPECIFIED TOLERANCES		Singatron Enterprise Co., Ltd. 信音企業股份有限公司		
DECIMALS:		TITLE		
X	:±0.5	MICRO USB B TYPE RECEPTACLE		
X.X	:±0.3	DWN	PENG	PART NO. 2UB1000-000311
X.XX	:±0.2	CHKD	JAMES	SCALE 5:1 UNIT: mm
		APVD	BOYE	SIZE: A3 SHEET: 10F1 REV: F
CUSTOMER COPY				