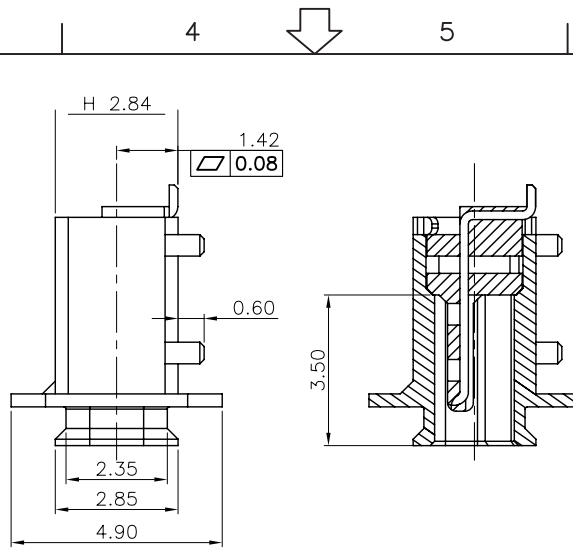
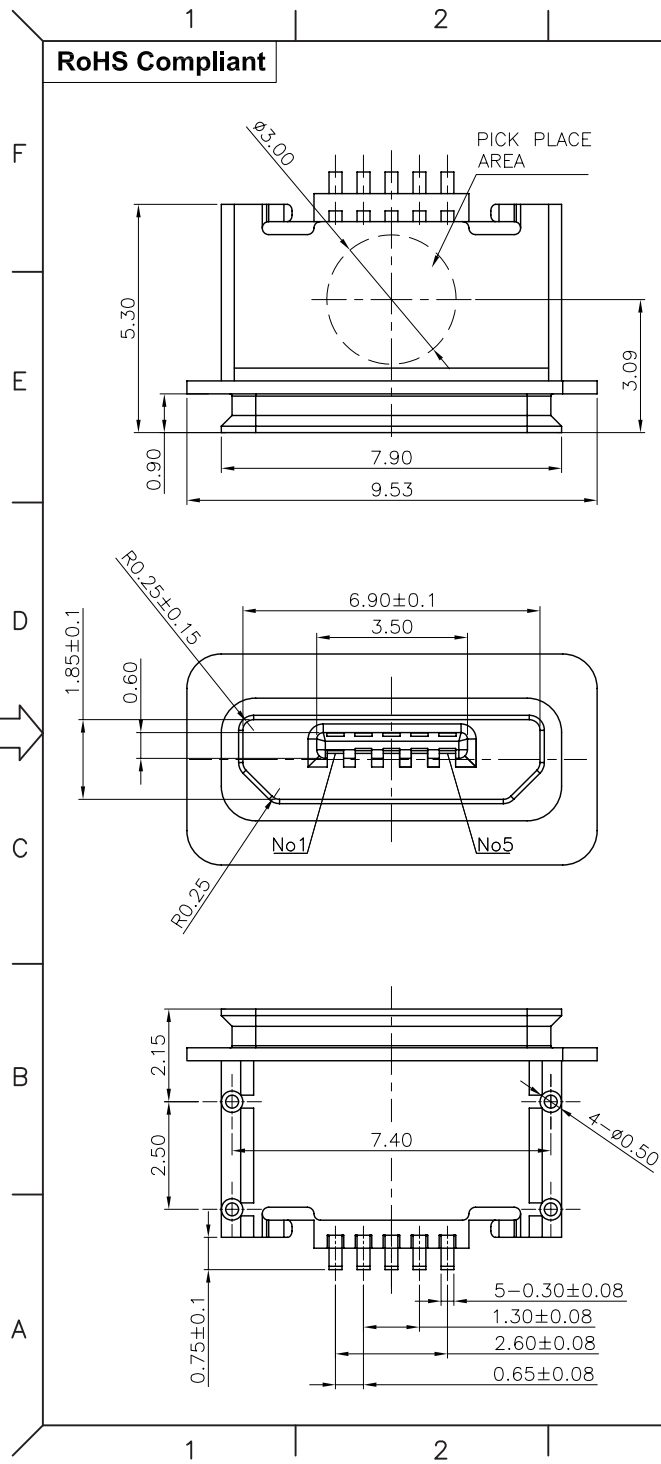
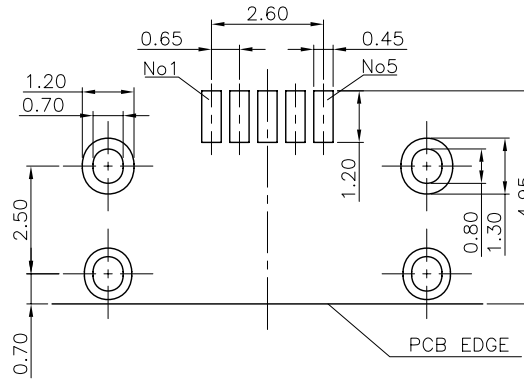


RoHS Compliant



NOTES:

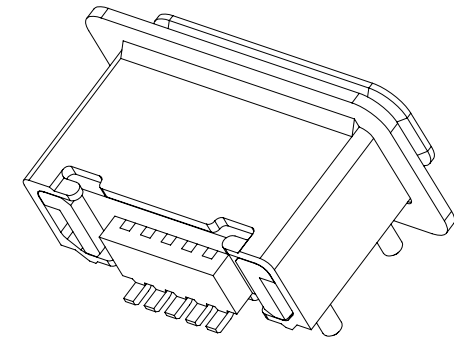
- MATERIAL:
HOUSING: THERMOPLASTIC HIGH-TEMP UL94V-0 BLACK COLOR.
CONTACT: COPPER ALLOY.
SHELL: STAINLESS STEEL.
- FINISH:
2.1. TERMINAL CONTACT: (SEE TAB) GOLD PLATING ALL OVER 50u" Min NICKEL AND GOLD PLATING G/F ALL OVER 50u" Min NICKEL ON SOLDER AREA
2.2. OUT SHELL: 50u" Min. NICKEL ALL OVER
- APPLIED TO IR SOLDERING PROCESS.
- SPECIFICATION:
4.1. ELECTRICAL CHARACTERISTICS
CONTACT CURRENT RATING: Signal PIN 1A, Power PIN 1.8A.
VOLTAGE RATING: 30V AC rms.
CONTACT RESISTANCE: 30mΩ MAX.
DIELECTRIC WITHSTANDING VOLTAGE:
UNMATEP CONTACT 100V AC rms. 60MHZ FOR 1 MINUTE.
INSULATION RESISTANCE: 1000MΩ MIN. 100V DC
TEMPERATURE RANGE: -30°C TO +85°C
4.2. MECHANICAL:
INSERTION FORCE: 35N MAX.
WITHDRAWAL FORCE: 8N MIN.
DURABILITY: 10,000 CYCLES



RECOMMENDED PCB LAYOUT
TOLERANCE: ±0.03mm
RECOMMEND PCB THICKNESS: 0.60mm

2UB1181-11X37-22A

- 1: Tray 2: Tape reel
- 1: G/F 2: 5u" 3: 10u" 4: 15u" 5: 30u"



Singatron Enterprise Co., Ltd.

TITLE	MICRO USB BF STD CL1.42 H2.85mm waterproof IPX7			
DWN	GAORUI	PART NO.	2UB1181-11X37-22A	
CHKD	2018.05.15	SCALE	1:1	UNIT: mm
APVD		SIZE: A3	SHEET: 1/3	REV: T1

CUSTOMER COPY

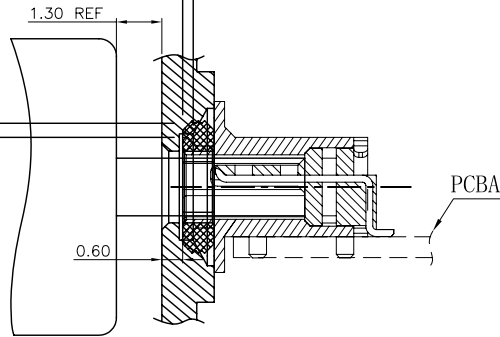
T1	RELEASE	ECN NO.	GAORUI	Chain	DC.Feng	2018.05.15
REV.	DESCRIPTION	DWN.	CHK.	APVD.	DATE	

TOLERANCES UNLESS OTHERWISE SPECIFIED	
X.	±0.50
X.X	±0.30
X.XX	±0.20
X.XXX	±0.10
ANGEL	±1°

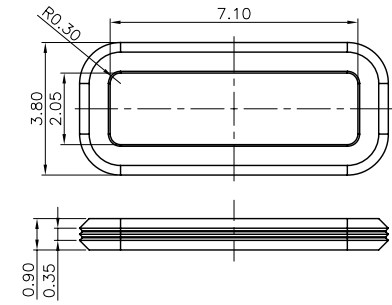
RoHS Compliant

机壳面板对密封圈
与缩量0.40Min

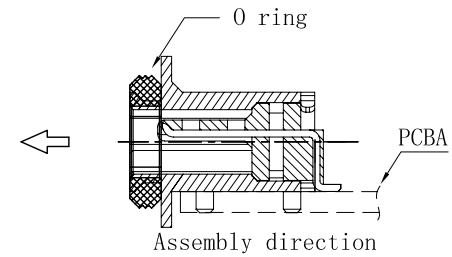
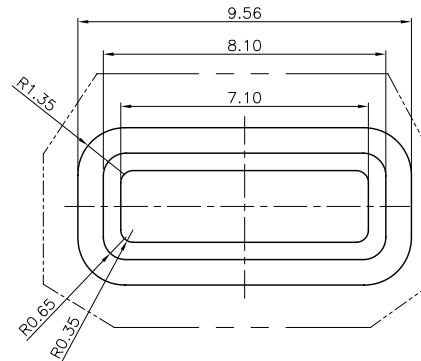
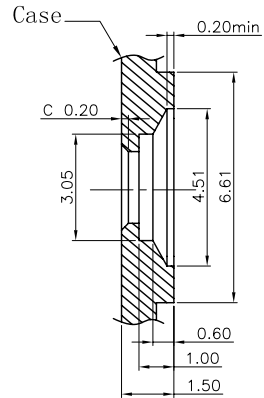
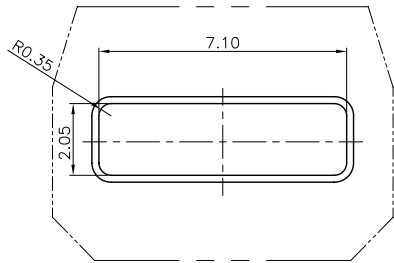
机壳面板对密封圈与缩量0.30Min
(建议压缩量为密封圈直径大小40-50%)



COMPRESSION RATIO TO BE 40%-50%



O RING (SILICON RUBBER)



RECOMMENDED OPEN DIMENSION OF CASE
TOLERANCE: $\pm 0.03\text{mm}$
MATTING AREA WITH SEALING RING

TOLERANCES UNLESS OTHERWISE SPECIFIED
X. ± 0.50
X.X ± 0.30
X.XX ± 0.20
X.XXX ± 0.10
ANGEL $\pm 1^\circ$

T1	RELEASE		GAORUI	Chain	DC.Feng	2018.05.15
REV.	DESCRIPTION	ECN NO.	DWN.	CHK.	APVD.	DATE

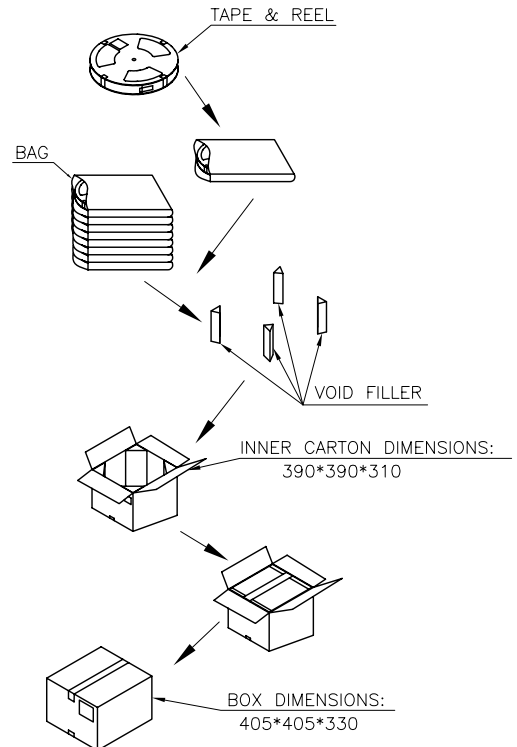
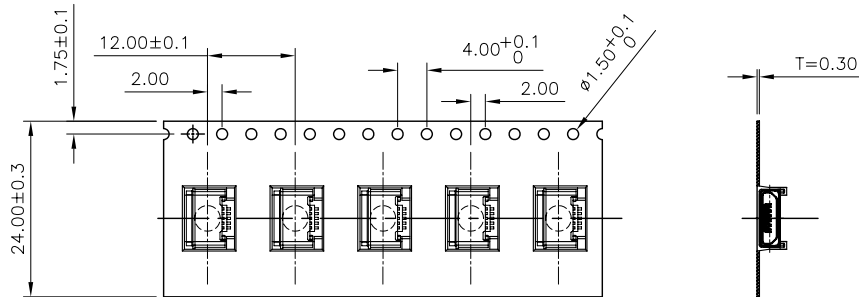
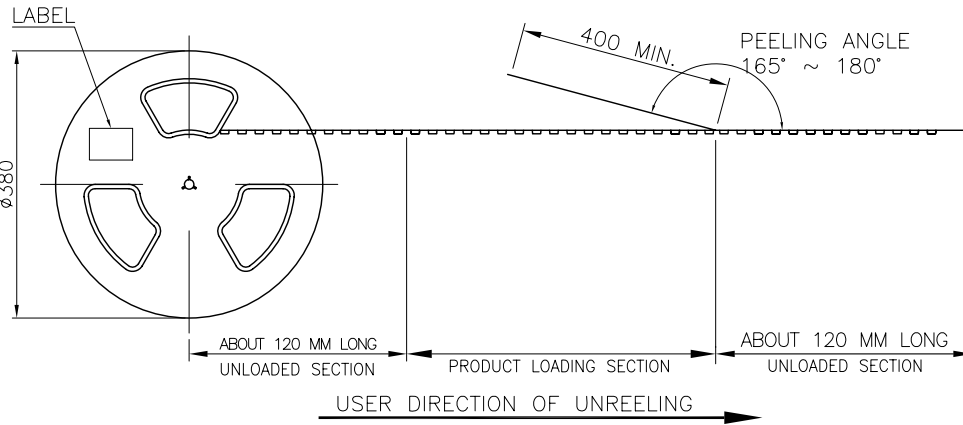
Singatron Enterprise Co., Ltd.

TITLE	MICRO USB BF STD CL1.42 H2.85mm waterproof IPX7			
DWN	GAORUI	PART NO.	2UB1181-11X37-22A	
CHKD	2018.05.15	SCALE	1:1	UNIT: mm
APVD		SIZE: A3	SHEET: 2/3	REV: T1

CUSTOMER COPY

RoHS Compliant

30.5
24.5



NOTE:

- 1.MATERIAL:
BOX: FIBREBOARD, CORRUGATED, DOUBLE WALL.
TAPE: POLYSTYRENES, HEAT-RESISTANT TEMPERATURE: 120°C, BLACK COLOR.
REEL: POLYSTYRENES, HEAT-RESISTANT TEMPERATURE: 70°C, BLUE COLOR.
BAG: POLYETHYLENE, HEAT-RESISTANT TEMPERATURE: 100°C.

2.PEELING STRENGTH: 0.1 ~ 1.3 N (10 ~ 130 GRAMS)

3.PEELING SPEED: 300 mm/min.

4.EACH BAG SHALL BE INCLUDED DESICCANT.

1200	10	12000 PCS	-- KG	-- KG
PCS/ REEL	REELS/ CARTON	QUANTITY	GROSS WEIGHT	NET WEIGHT

Singatron Enterprise Co., Ltd.

TITLE	MICRO USB BF STD CL1.42 H2.85mm waterproof IPX7			
DWN	GAORUI	PART NO.	2UB1181-11X37-22A	
CHKD	2018.05.15	SCALE 1:1	UNIT: mm	
APVD		SIZE: A3	SHEET: 3/3	REV: T1

CUSTOMER COPY

T1	RELEASE		GAORUI	Chain	DC.Feng	2018.05.15
REV.	DESCRIPTION	ECN NO.	DWN.	CHK.	APVD.	DATE

TOLERANCES UNLESS OTHERWISE SPECIFIED
X. ±0.50
X.X ±0.20
X.XX ±0.20
X.XXX ±0.10
ANGLE ±1°