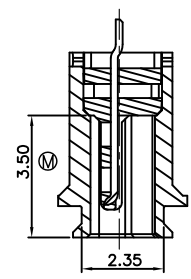
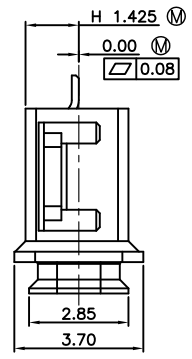
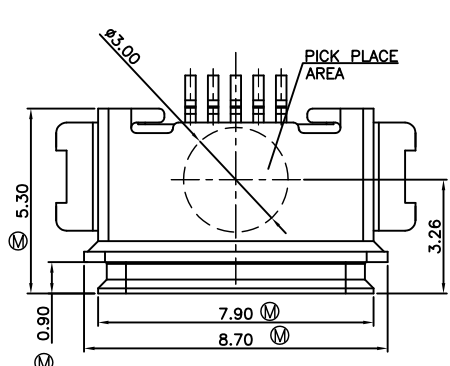


1 2 3 4 5 6 7 8

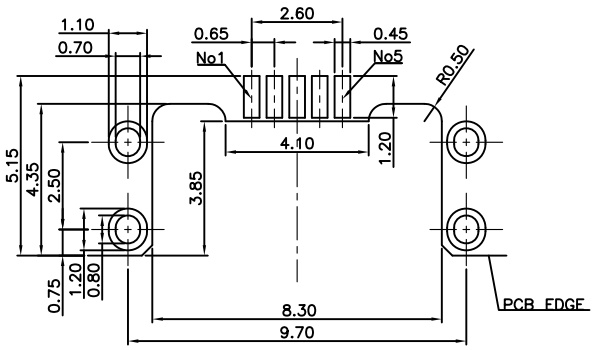
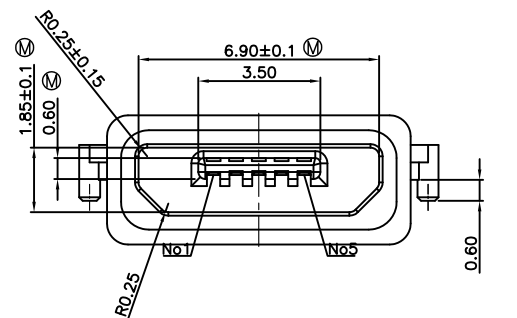
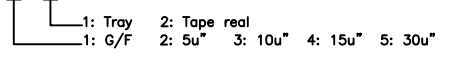
F
E
D
C
B
A

F
E
D
C
B
A

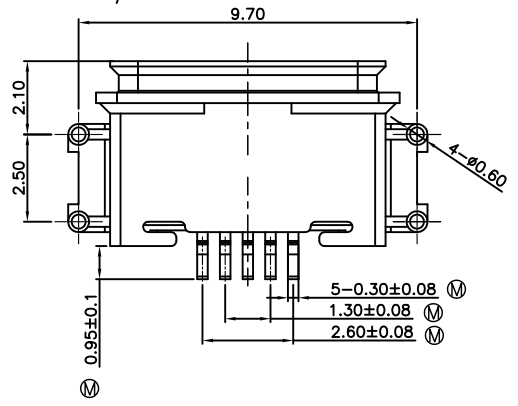
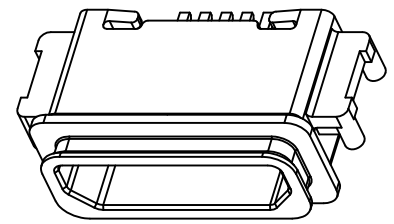


NOTES:

1. MATERIAL:
HOUSING: THERMOPLASTIC HIGH-TEMP UL94V-0 BLACK COLOR.
CONTACT: COPPER ALLOY.
SHELL: STAINLESS STEEL.
2. FINISH:
2.1. TERMINAL CONTACT: (SEE TAB) GOLD PLATING ALL OVER 50u"
Min NICKEL AND GOLD PLATING G/F ALL OVER 50u" Min NICKEL ON
SOLDER AREA
2.2. OUT SHELL: 50u" Min. NICKEL ALL OVER
3. APPLIED TO IR SOLDERING PROCESS.
4. SPECIFICATION:
4.1. ELECTRICAL CHARACTERISTICS
CONTACT CURRENT RATING: Signal pin 1A, Power pin 1.8A
VOLTAGE RATING: 30V AC rms.
CONTACT RESISTANCE: 30mΩ MAX.
DIELECTRIC WITHSTANDING VOLTAGE:
UNMATEP CONTACT 100V AC rms. 60MHZ FOR 1 MINUTE.
INSULATION RESISTANCE: 1000MΩ MIN. 100V DC
TEMPERATURE RANGE: -30°C TO +85°C
4.2. MECHANICAL:
INSERTION FORCE: 35N MAX.
WITHDRAWAL FORCE: 8N MIN, 25N MAX.
2UB1181-31X38-22A



RECOMMENDED PCB LAYOUT
TOLERANCE: ±0.03mm
RECOMMEND PCB THICKNESS: 0.60mm



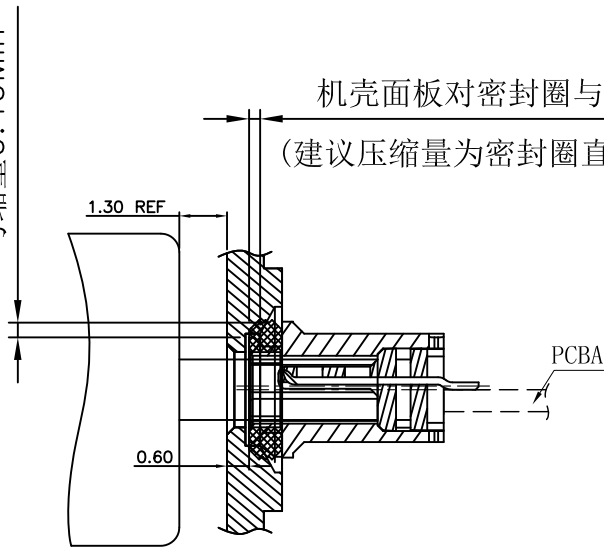
Singatron Enterprise Co., Ltd.			
TITLE	MICRO USB BF STD CL0.00 H1.42mm waterproof IPX8		
DWN	GAORUI	PART NO. 2UB1181-31X38-22A	
CHKD	2018.06.08	SCALE 1:1	UNIT: mm
APVD		SIZE: A3	SHEET: 1/3
REV: A			
CUSTOMER COPY			

REV.	DESCRIPTION	ECN NO.	DWN.	CHK.	APVD.	DATE
A	修改外壳结构及包装规格	201901090013	GAORUI	Chain	DC.Feng	2019.01.09
T1	RELEASE		GAORUI	Chain	DC.Feng	2018.06.08

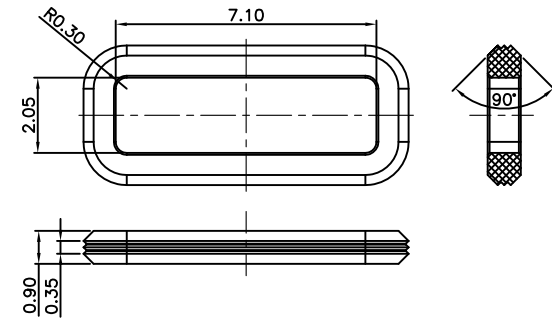
TOLERANCES UNLESS OTHERWISE SPECIFIED	
X.	±0.50
X.X	±0.30
X.XX	±0.20
X.XXX	±0.10
ANGEL	±1°

1 2 3 4 5 6 7 8

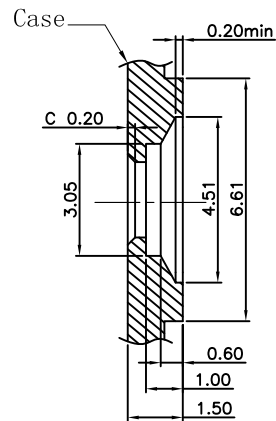
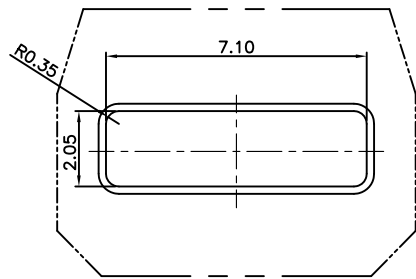
机壳面板对密封圈
与缩量0.40Min



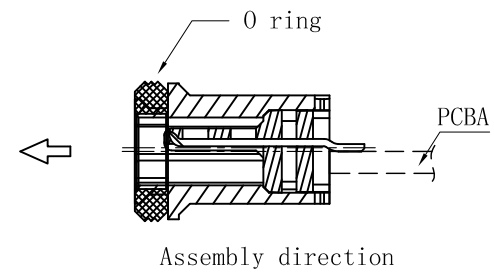
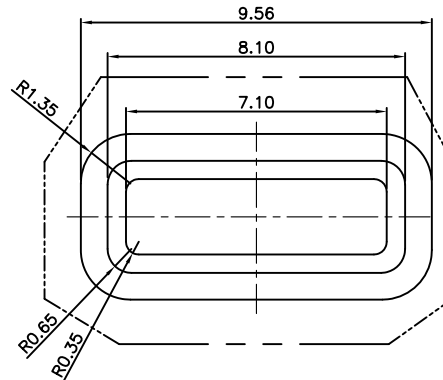
COMPRESSION RATIO TO BE 40%-50%



O RING design guide (SILICON RUBBER)



RECOMMENDED OPEN DIMENSION OF CASE
TOLERANCE: $\pm 0.03\text{mm}$
MATTING AREA WITH SEALING RING



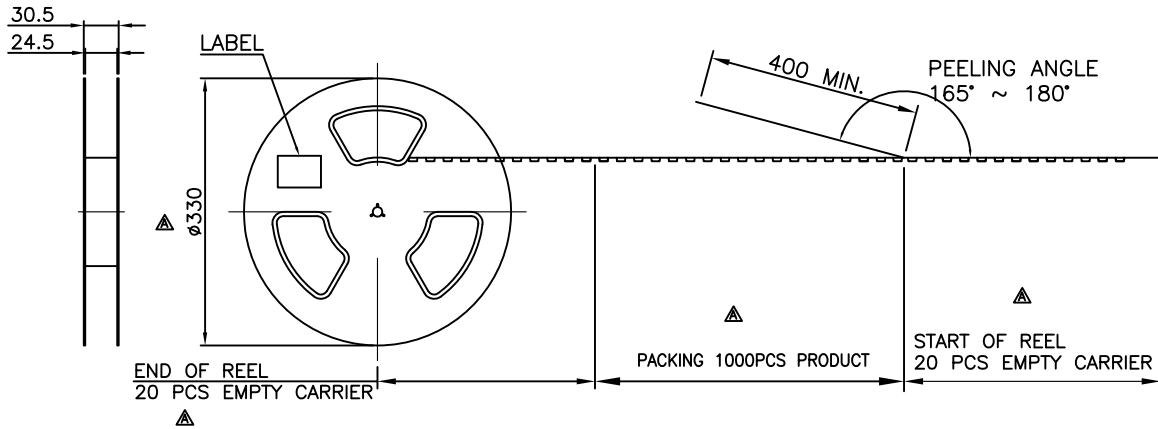
Assembly direction

Singatron Enterprise Co., Ltd.

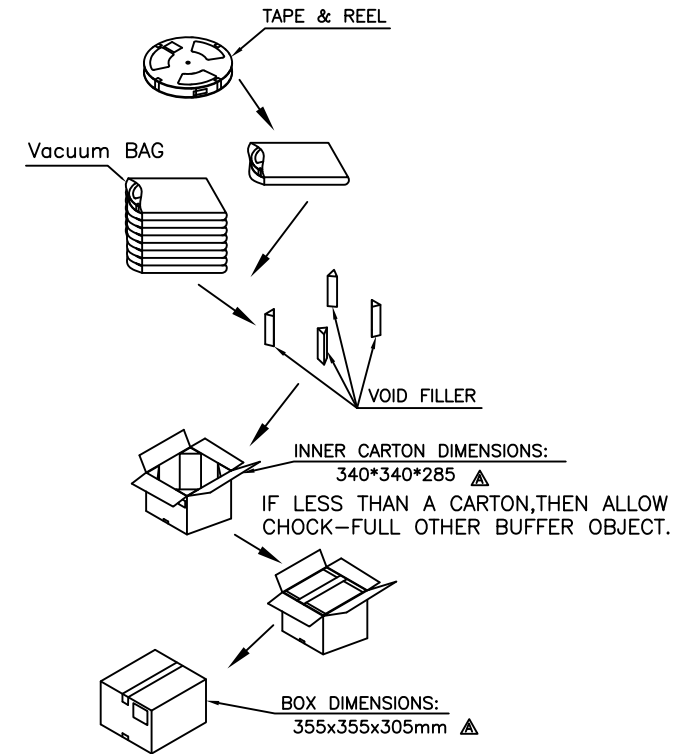
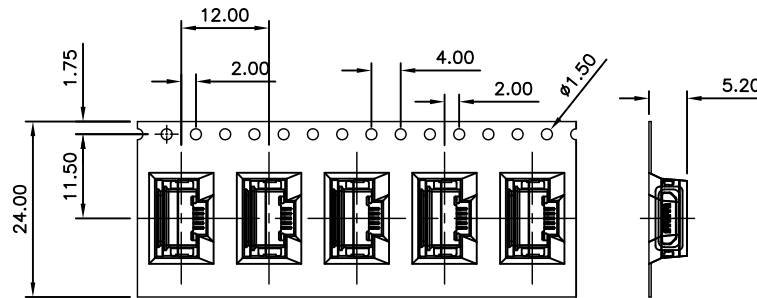
TITLE	MICRO USB BF STD CL0.00 H1.42mm waterproof IPX8			
DWN	GAORUI	PART NO.	2UB1181-31X38-22A	
CHKD	2018.06.08	SCALE	1:1	UNIT: mm
APVD		SIZE	A3	SHEET: 2/3
		REV	A	

CUSTOMER COPY

REV.	DESCRIPTION	ECN NO.	DWN.	CHK.	APVD.	DATE	TOLERANCES UNLESS OTHERWISE SPECIFIED
A	修改外壳结构及包装规格	201901090013	GAORUI	Chain	DC.Feng	2019.01.09	X. ± 0.50 X.X ± 0.30 X.XX ± 0.20 X.XXX ± 0.10 ANGEL $\pm 1^\circ$
T1	RELEASE		GAORUI	Chain	DC.Feng	2018.06.08	



USER DIRECTION OF UNREELING →



NOTE:

- 1.MATERIAL:
 BOX: FIBREBOARD, CORRUGATED, DOUBLE WALL.
 TAPE: POLYSTYRENES, HEAT-RESISTANT TEMPERATURE: 120°C, BLACK COLOR.
 REEL: POLYSTYRENES, HEAT-RESISTANT TEMPERATURE: 70°C, BLUE COLOR.
 BAG: POLYETHYLENE, HEAT-RESISTANT TEMPERATURE: 100°C.

2.PEELING STRENGTH: 0.1 ~ 1.3 N (10 ~ 130 GRAMS)

3.PEELING SPEED: 300 mm/min.

4.EACH BAG SHALL BE INCLUDED DESICCANT.

△ 1000	9	9000 PCS	-- KG	-- KG
PCS/ REEL	REELS/ CARTON	QUANTITY	GROSS WEIGHT	NET WEIGHT

Singatron Enterprise Co., Ltd.

TITLE	MICRO USB BF STD CL0.00 H1.42mm waterproof IPX8			
DWN	GAORUI	PART NO. 2UB1181-31X38-22A		
CHKD	2018.06.08	SCALE 1:1	UNIT: mm	⊕ ↺
APVD		SIZE: A3	SHEET: 3/3	REV: A

CUSTOMER COPY

REV.	DESCRIPTION	ECN NO.	DWN.	CHK.	APVD.	DATE	TOLERANCES UNLESS OTHERWISE SPECIFIED
△ A	修改外壳结构及包装规格	201901090013	GAORUI	Chain	DC.Feng	2019.01.09	X. ±0.50 X.X ±0.30
T1	RELEASE		GAORUI	Chain	DC.Feng	2018.06.08	X.XX ±0.20 X.XXX ±0.10 ANGEL ±1°