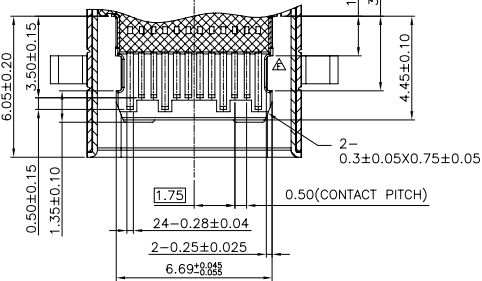
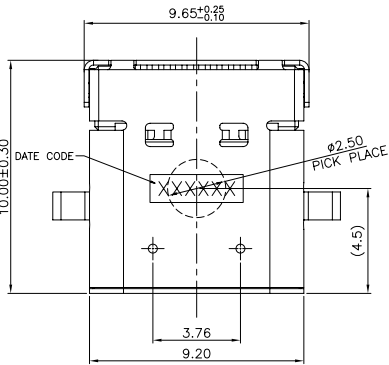
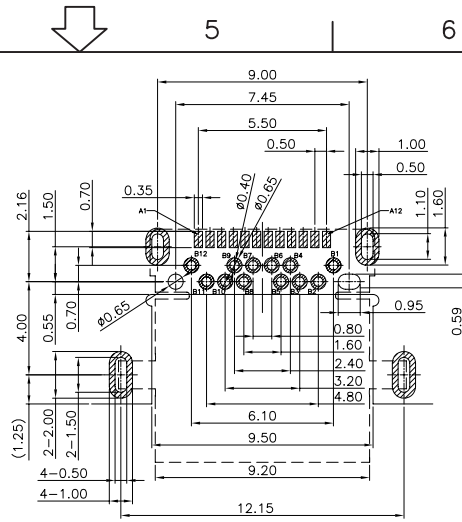




RoHS Compliant HSF
2013/95/EC



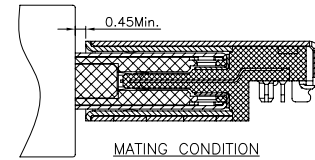
SECTION B-B



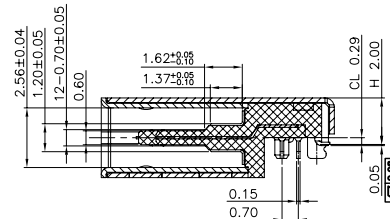
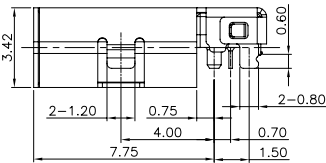
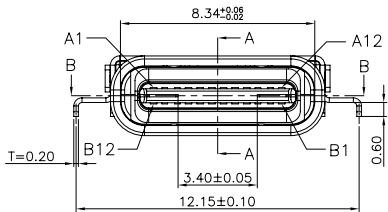
RECOMMEND P.C.B LAYOUT (COMPONENT SIDE)

TOLERANCE FOR PCB LAYOUT IS ± 0.05
KEEP OUT AREA

Pin	Signal Name	Mating Sequence	Pin	Signal Name	Mating Sequence
A1	GND	First	B12	GND	First
A2	SSTXp1	Second	B11	SSRXp1	Second
A3	SSTXn1	Second	B10	SSRXn1	Second
A4	V _{BUS}	First	B9	V _{BUS}	First
A5	CC1	Second	B8	SBU2	Second
A6	Dp1	Second	B7	Dn2	Second
A7	Dn1	Second	B6	Dp2	Second
A8	SBU1	Second	B5	CC2	Second
A9	V _{BUS}	First	B4	V _{BUS}	First
A10	SSRXn2	Second	B3	SSTXn2	Second
A11	SSRXp2	Second	B2	SSTXp2	Second
A12	GND	First	B1	GND	First
SHELL	GND		SHELL	GND	



MATING CONDITION



SECTION A-A

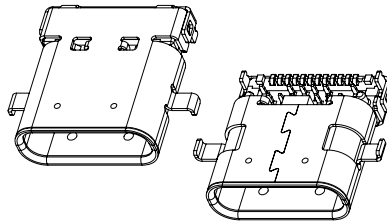
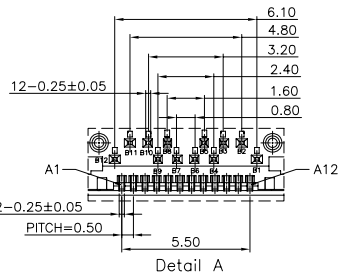
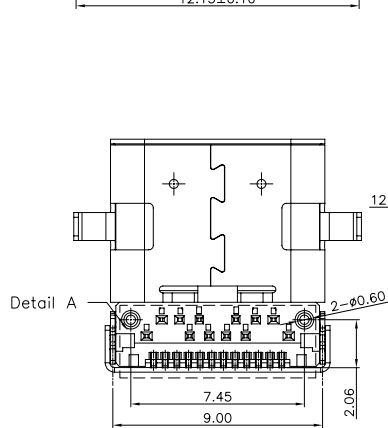
NOTE:

- MATERIAL:
 - INSULATOR: HIGH TEMPERATURE PLASTIC UL 94 V-0; Black Color
 - CONTACT: COPPER ALLOY(T=0.15mm)
 - SHELL: STAINLESS STEEL(T=0.20mm)
 - COVER SHELL: STAINLESS STEEL(T=0.20mm)
 - INNER GROUND COVER SHELL: STAINLESS STEEL(T=0.08mm)
 - MID PLATE: STAINLESS STEEL(T=0.10mm)
- ELECTRICAL CHARACTERISTICS:
 - CONTACT RESISTANCE: 40mΩ Max FOR INITIAL, 10mΩ CHANGE AFTER TEST. MEASURE AT 20mV, 100mA
 - CONTACT CURRENT RATING: 5A FOR COLLECTIVELY POWER SUPPLY PIN(PIN1,A4,A9,A12,B1,B4,B9,B12); 1.25A FOR V_{BUS} PIN; 0.25A FOR OTHER SIGNAL PIN.
 - DIELECTRIC WITHSTANDING VOLTAGE: 100V AC R.M.S.
 - INSULATION RESISTANCE 100MΩ Min
 - OPERATING TEMPERATURE: -40°C ~ 85°C
- MECHANICAL CHARACTERISTICS:
 - MATING FORCE: 5~20 N.
 - UNMATED FORCE: 8~20N INITIAL TEST; 6~20N DURABILITY AFTER TEST
 - DURABILITY: 10,000 CYCLES
- PLATING:
 - TERMINAL CONTACT: (SEE TAB) GOLD PLATING ON CONTACT AREA, ALL OVER 50u" Min NICKEL AND 80u" Min Matte Tin ALL OVER 50u" Min NICKEL ON SOLDER AREA
 - SHELL: 50u" Min. NICKEL ALL OVER,
 - COVER SHELL: 80u" Min. NICKEL ALL OVER,
 - INNER GROUND COVER SHELL: 50u" Min. NICKEL ALL OVER,
 - MID PLATE: CLEAN

5.PART NUMBER:

2UB 1181-32XA8-X3A

- 1: Tray 2: Tape reel
- 1: G/F 2: 5u" 3: 10u" 4: 15u" 5: 30u"



REV.	DESCRIPTION	ECN NO.	DWN.	CHK.	APVD.	DATE
G	MODIFY THE COVER SHELL MATERIAL	20180820002	gh-Li	hp-Liu	Nalson	2018.9.20
F	MODIFY THE HOUSING STRUCTURE	20160701002	Leiny	Chain	DC	2016.07.01
E	PCB LAYOUT SIZE MODIFICATION	20150810001	Leiny	Chain	DC	2015.08.10
D	ADD THE PLUG AND RECEPTACLE MATING	20150624001	Leiny	Chain	DC	2015.06.24
C	PCB LAYOUT SIZE MODIFICATION	20150515001	Leiny	Chain	DC	2015.05.15
B	NOTE PART FOR INCREASING DETAIL	20150507001	Leiny	Chain	DC	2015.05.07
A	NEW DARWING	ECN NO.	Leiny	Chain	DC	2014.10.15

TOLERANCES UNLESS OTHERWISE SPECIFIC

UNIT	(MM)
X.	±0.50
X.X	±0.30
X.XX	±0.20
X.XXX	±0.10
ANGEL	±2'

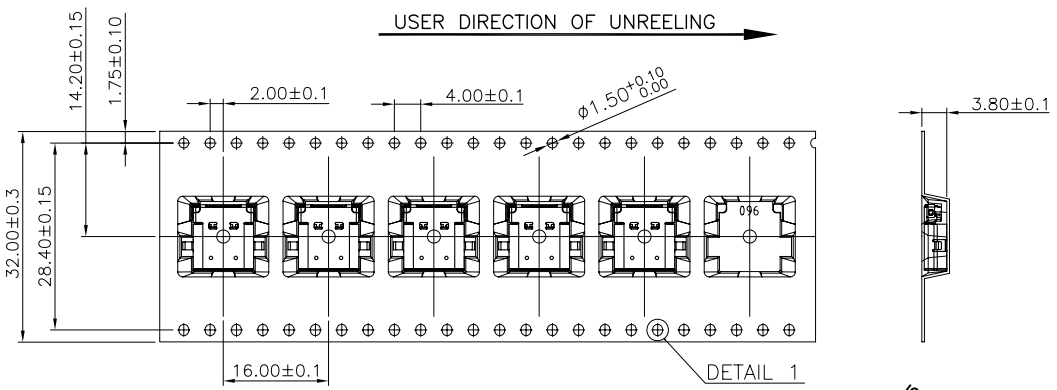
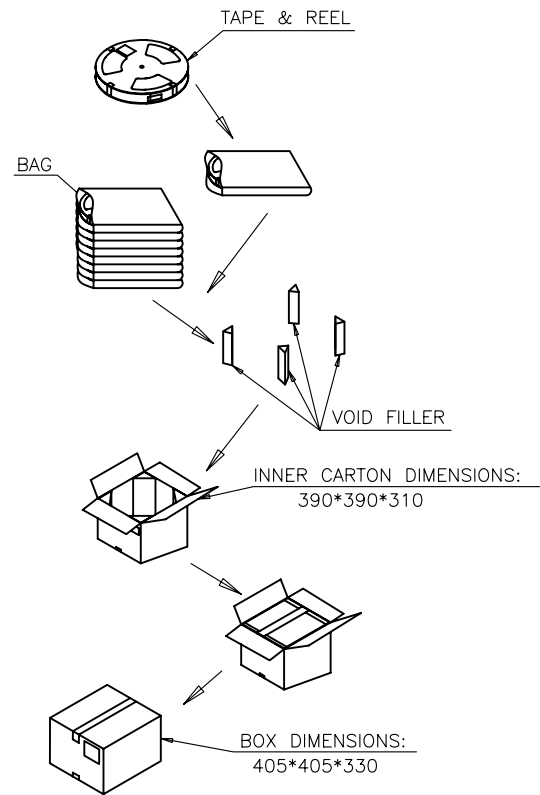
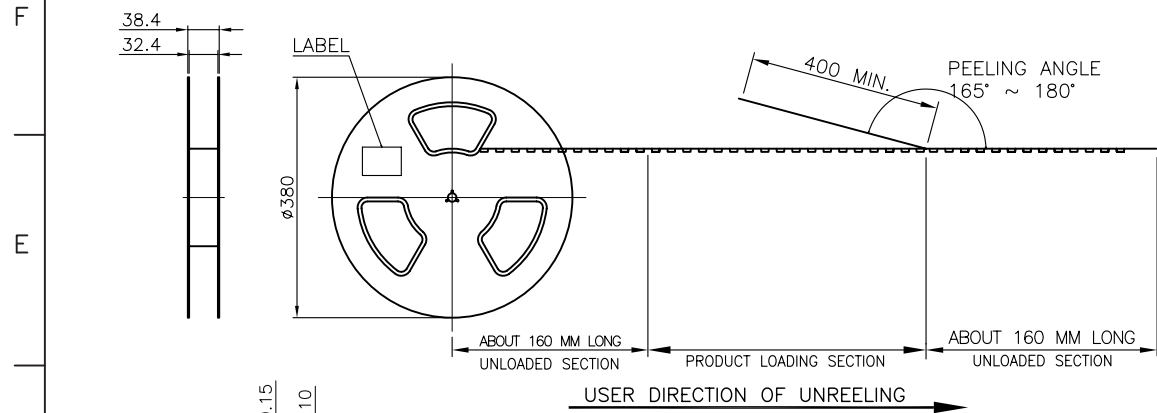
Singatron Enterprise Co., Ltd.

TITLE	USB 3.1 TYPE C FEMALE CL0.29 H2.00mm DIP TYPE		
DWN	Leiny	PART NO.2UB1181-32XA8-23A	
CHKD	Leiny	SCALE 1:1	UNIT: mm
APVD	Leiny	SIZE: A3	SHEET: 1/2

CUSTOMER COPY

RoHS Compliant 2013/95/EC HSF

No.	Part No.	Part Name	Q'TY	Material	Finish



NOTE:

1. MATERIAL:
 BOX: FIBREBOARD, CORRUGATED, DOUBLE WALL.
 TAPE: POLYSTYRENES, HEAT-RESISTANT TEMPERATURE: 120°C, BLACK COLOR.
 REEL: POLYSTYRENES, HEAT-RESISTANT TEMPERATURE: 70°C, BLUE COLOR.
 BAG: POLYETHYLENE, HEAT-RESISTANT TEMPERATURE: 100°C.

- 2. PEELING STRENGTH: 0.1 ~ 1.3 N (10 ~ 130 GRAMS)
- 3. PEELING SPEED: 300 mm/min.
- 4. EACH BAG SHALL BE INCLUDED DESICCANT.

G	MOLDIF THE COVER SHELL MATERIAL	20180820002	gh-Li	hp-Liu	Nalson	2018.9.20
F	MODIFY THE HOUSING STRUCTURE	20160701002	Leiny	Chain	DC	2016.07.01
E	PCB LAYOUT SIZE MODIFICATION	20150810001	Leiny	Chain	DC	2015.08.10
D	ADD THE PLUG AND RECEPTACLE MATING	20150624001	Leiny	Chain	DC	2015.06.24
C	PCB LAYOUT SIZE MODIFICATION	20150515001	Leiny	Chain	DC	2015.05.15
B	NOTE PART FOR INCREASING DETAIL	20150507001	Leiny	Chain	DC	2015.05.07
A	NEW DARWING	ECN NO.	Leiny	Chain	DC	2014.10.15
REV.	DESCRIPTION	ECN NO.	DWN.	CHK.	APVD.	DATE

TOLERANCES UNLESS OTHERWISE SPECIFIED
 UNIT (MM)
 X. ±0.20
 X.X ±0.15
 X.XX ±0.10
 X.XXX ±0.05
 ANGEL ±1°

1250	8	10000 PCS	-- KG	-- KG
PCS/REEL	REELS/CARTON	QUANTITY	GROSS WEIGHT	NET WEIGHT

Singatron Enterprise Co., Ltd.				
TITLE	USB 3.1 TYPE C FEMALE CL0.29 H2.00mm DIP TYPE			
DWN	Leiny	PART NO. 2UB1181-32XA8-23A		
CHKD	Leiny	SCALE 1:1	UNIT: mm	
APVD	Leiny	SIZE: A3	SHEET: 2/2	REV: G
CUSTOMER COPY				