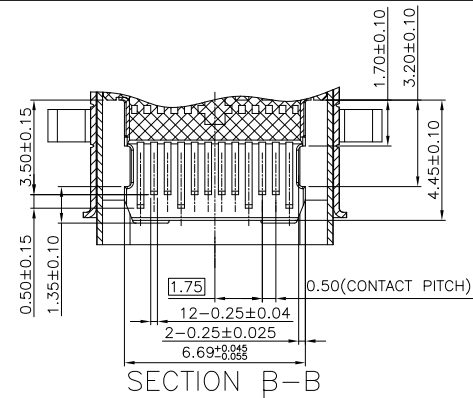
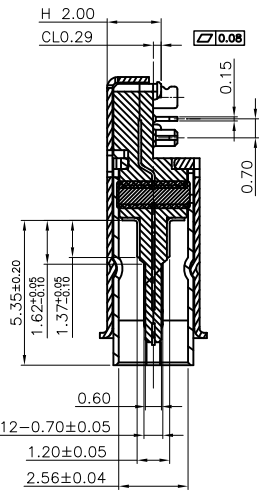
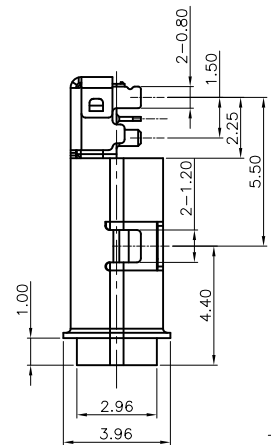
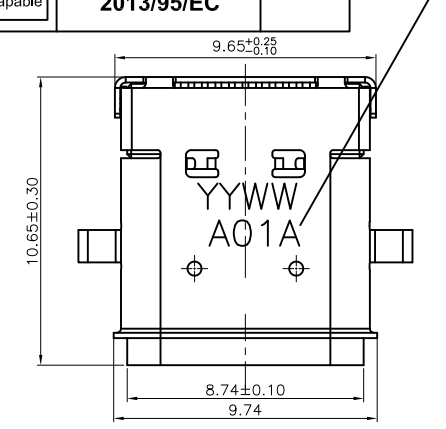




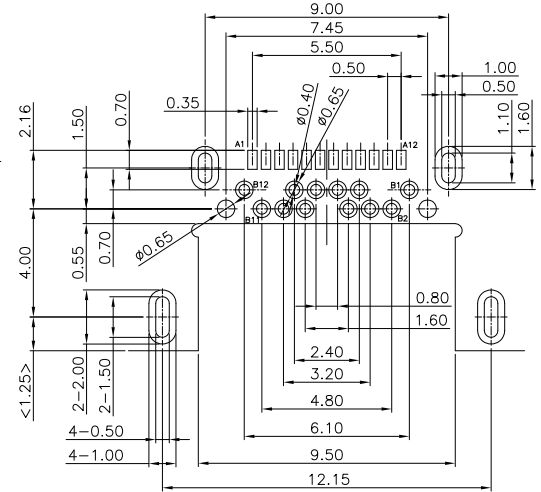
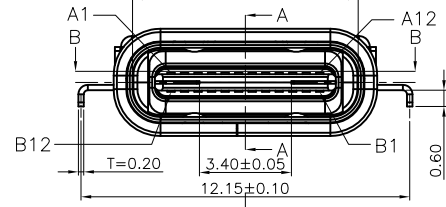
**RoHS Compliant HSF**  
2013/95/EC

YYWW — 年周  
A01A — 固定

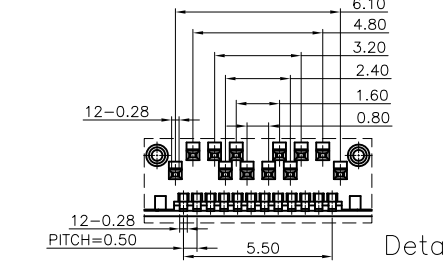
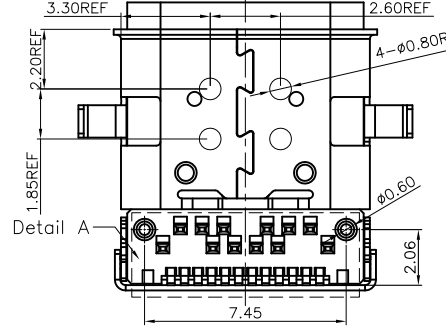


SECTION A-A

SECTION B-B



RECOMMEND P.C.B LAYOUT (COMPONENT SIDE)  
TOLERANCE FOR PCB LAYOUT IS ±0.05



Detail A

NOTE:

- MATERIAL:
  - INSULATOR: HIGH TEMPERATURE PLASTIC UL 94 V-0;
  - CONTACT: COPPER ALLOY(T=0.15mm)
  - SHELL: STAINLESS STEEL(T=0.20mm)
- ELECTRICAL CHARACTERISTICS:
  - CONTACT RESISTANCE: 40mΩ Max FOR INITIAL. 10mΩ CHANGE AFTER TEST. MEASURE AT 20mV, 100mA.
  - CONTACT CURRENT RATING: 5A FOR VBUS PIN; 1.25A FOR VCONN PIN.
  - DIELECTRIC WITHSTANDING VOLTAGE: 100V AC R.M.S.
  - INSULATION RESISTANCE 100MΩ Min
  - OPERATING TEMPERATURE: -40°C ~ 85°C
- MECHANICAL CHARACTERISTICS:
  - MATING FORCE: 5~20 N.
  - UNMATED FORCE: 8~20N AFTER TEST
  - DURABILITY: 10,000 CYCLES
- PLATING
  - TERMINAL CONTACT: (SEE TAB) GOLD PLATING ALL OVER 50u" Min NICKEL AND 80u" Min Tin ALL OVER 50u" Min NICKEL ON SOLDER AREA
  - OUT SHELL: 50u" Min. NICKEL ALL OVER
  - INNER SHELL: DEGRADE

5. 料号: 2UB1186-32X39-23D
- 1: Tray    2: Tape reel
  - 1: G/F    2: 5u"    3: 10u"
  - 4: 15u"    5: 30u"

| Pin   | Signal Name | Mating Sequence | Pin   | Signal Name | Mating Sequence |
|-------|-------------|-----------------|-------|-------------|-----------------|
| A1    | GND         | First           | B12   | GND         | First           |
| A2    | SSTXp1      | Second          | B11   | SSRXp1      | Second          |
| A3    | SSTXn1      | Second          | B10   | SSRXn1      | Second          |
| A4    | Vbus        | First           | B9    | Vbus        | First           |
| A5    | CC1         | Second          | B8    | SBU2        | Second          |
| A6    | Dp1         | Second          | B7    | Dn2         | Second          |
| A7    | Dn1         | Second          | B6    | Dp2         | Second          |
| A8    | SBU1        | Second          | B5    | CC2         | Second          |
| A9    | Vbus        | First           | B4    | Vbus        | First           |
| A10   | SSRXn2      | Second          | B3    | SSTXn2      | Second          |
| A11   | SSRXp2      | Second          | B2    | SSTXp2      | Second          |
| A12   | GND         | First           | B1    | GND         | First           |
| SHELL | GND         |                 | SHELL | GND         |                 |

| TOLERANCES UNLESS OTHERWISE SPECIFIED |       |
|---------------------------------------|-------|
| UNIT                                  | (MM)  |
| X.                                    | ±0.50 |
| X.X                                   | ±0.30 |
| X.XX                                  | ±0.20 |
| X.XXX                                 | ±0.10 |
| ANGEL                                 | ±2'   |

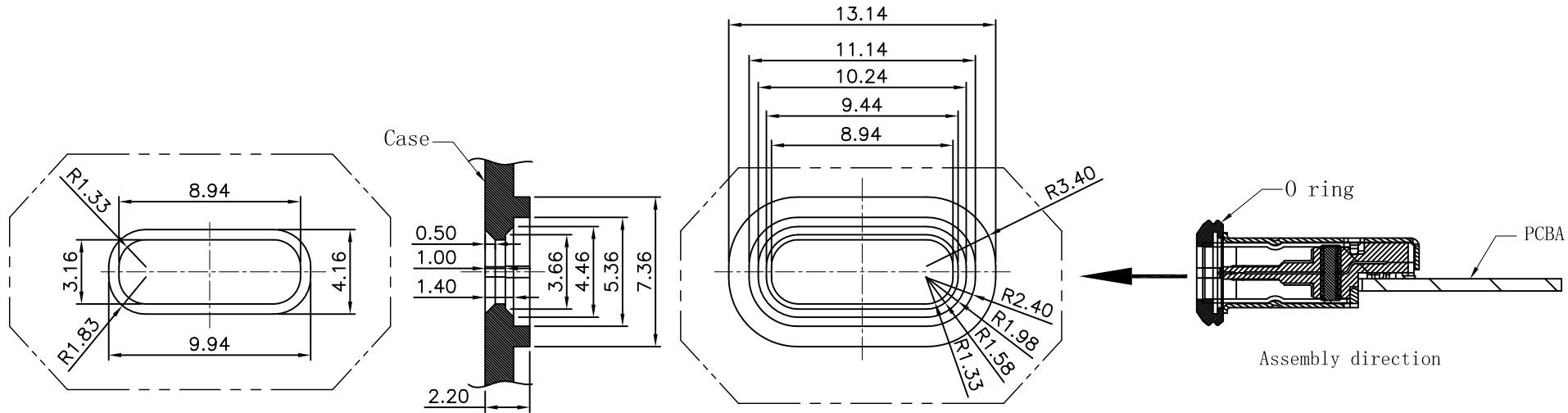
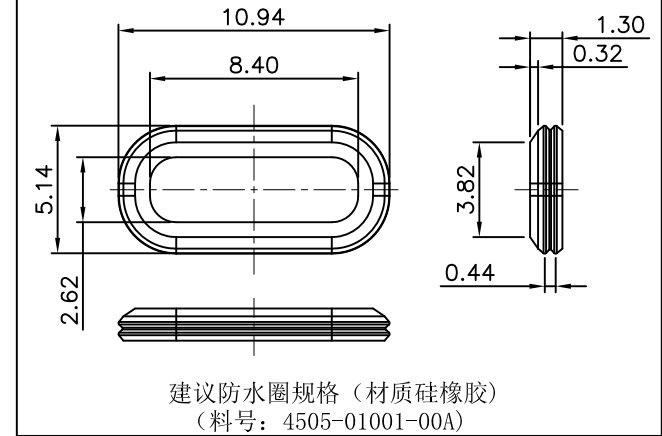
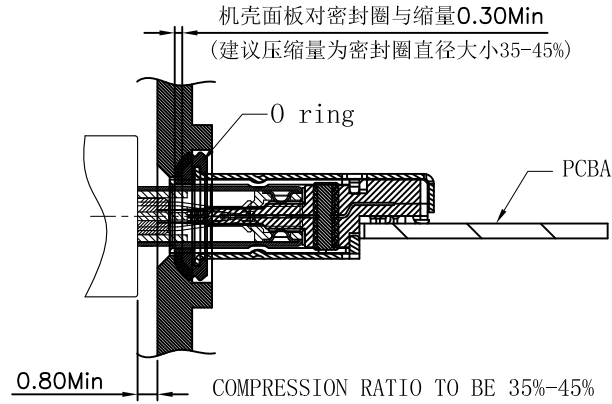
Singatron Enterprise Co., Ltd.

|                      |   |           |                   |
|----------------------|---|-----------|-------------------|
| TITLE                | USB 3.1 CF WATERPROOF CLO.29 H2.00mm DIP TYPE |           |                   |
| DWN                  | GAORUI  | PART NO.  | 2UB1186-32X39-23D |
| CHKD                 | 2018.04.27                                    | SCALE 1:1 | UNIT: mm          |
| APVD                 |   | SIZE: A3  | SHEET: 1 OF 3     |
|                      |   |           | REV: A            |
| <b>CUSTOMER COPY</b> |   |           |                   |

| A    | NEW DARWING | ECN NO. | GAORUI | Chain | DC    | 2018.04.27 |
|------|-------------|---------|--------|-------|-------|------------|
| REV. | DESCRIPTION | ECN NO. | DWN.   | CHK.  | APVD. | DATE       |
|      |             |         |        |       |       |            |

F  
E  
D  
C  
B  
A

30.  
24.



**RECOMMENDED OPEN DIMENSION OF CASE**  
 TOLERANCE:  $\pm 0.03\text{mm}$   
 MATTING AREA WITH SEALING RING

TOLERANCES UNLESS OTHERWISE SPECIFIED

| UNIT  | (MM)       |
|-------|------------|
| X.    | $\pm 0.50$ |
| X.X   | $\pm 0.30$ |
| X.XX  | $\pm 0.20$ |
| X.XXX | $\pm 0.10$ |
| ANGEL | $\pm 2'$   |

|                                       |   |                 |                   |
|---------------------------------------|---|-----------------|-------------------|
| <b>Singatron Enterprise Co., Ltd.</b> |   |                 |                   |
| <b>TITLE</b>                          | USB 3.1 CF WATERPROOF CLO.29 H2.00mm DIP TYPE |                 |                   |
| <b>DWN</b>                            | GAORUI  | <b>PART NO.</b> | 2UB1186-32X39-23D |
| <b>CHKD</b>                           | 2018.04.27                                    | <b>SCALE</b>    | 1:1               |
| <b>APVD</b>                           |   | <b>UNIT</b>     | mm                |
|                                       |   | <b>SIZE</b>     | A3                |
|                                       |   | <b>SHEET</b>    | 1 OF 3            |
|                                       |   | <b>REV</b>      | A                 |
| <b>CUSTOMER COPY</b>                  |   |                 |                   |

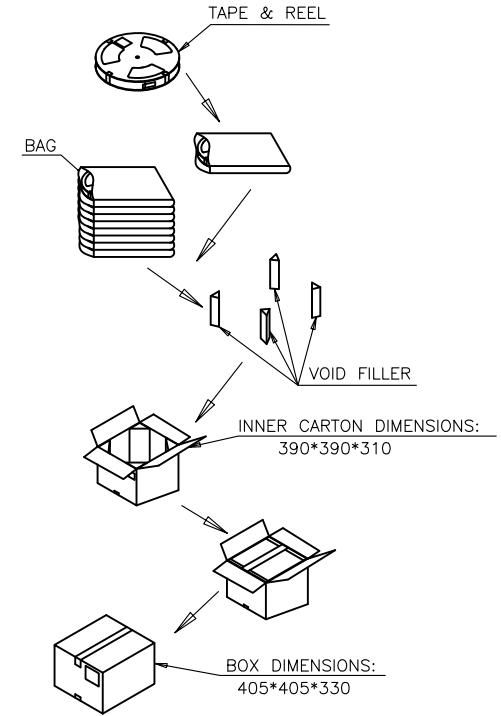
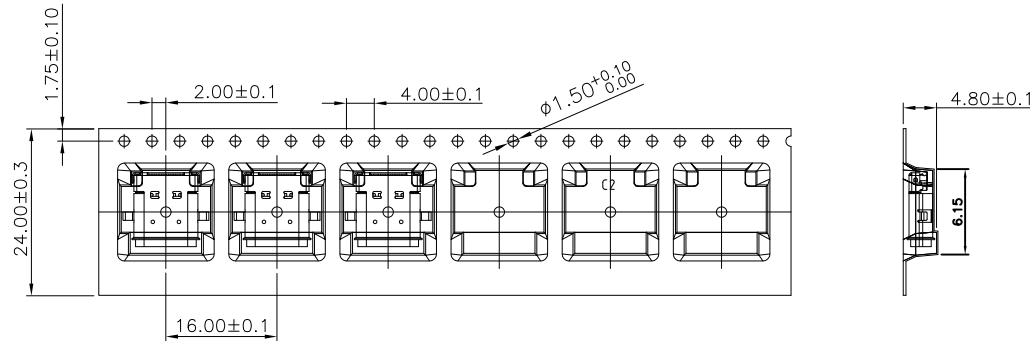
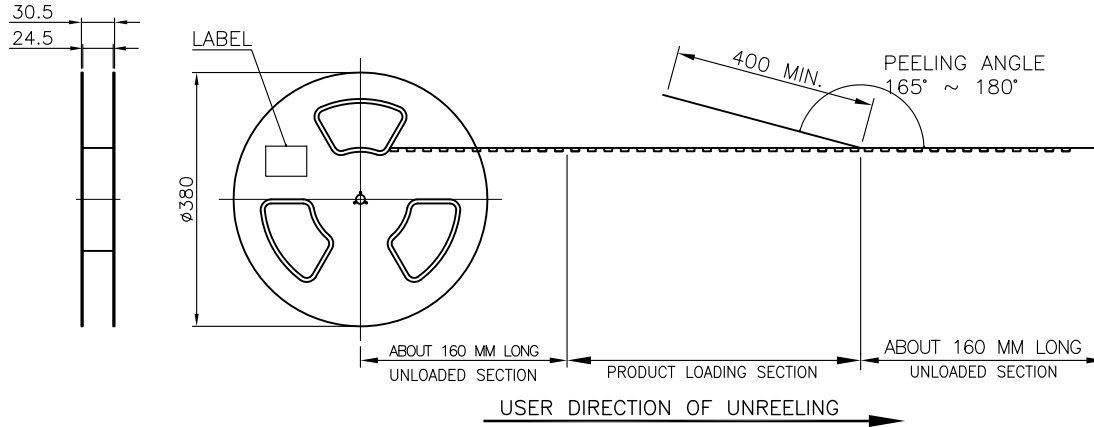
| A    | NEW DARWING | ECN NO. | GAORUI | Chain | DC    | 2018.04.27 |
|------|-------------|---------|--------|-------|-------|------------|
| REV. | DESCRIPTION | ECN NO. | DWN.   | CHK.  | APVD. | DATE       |
|      |             |         |        |       |       |            |



**RoHS Compliant**  
2013/95/EC

HSF

| No. | Part No.       | Part Name | Q'TY        | Material | Finish              |
|-----|----------------|-----------|-------------|----------|---------------------|
| 1   | 4111-00006-00A | 自封胶带      | 16.8M/1000  | PPET     | W20.0*10.06mm       |
| 2   | 4112-010CC-00A | 载带        | 16.32M/1000 | PS       | W24*16P T=0.4mm     |
| 3   | 4110-01010-00A | 15" 卷盘    | 1/1000 PCS  | PS       | 卷盘间距:24.5mm, 蓝色     |
| 4   | 4304-05002-00A | 内箱        | 1/10000 PCS | B=B      | B=B纸, 390*390*310mm |
| 5   | 4301-03002-00A | 外箱        | 1/10000 PCS | A=A      | A=A纸, 405*405*330mm |
| 6   | 4305-04001-00A | 护角板       | 4/10000 PCS | A=B      | A=B纸, 290*252mm     |
| 7   | 4130-09012-00A | 真空袋       | 1/10000 PCS |          | 470*470*T=0.10MM    |



NOTE:

- 1.MATERIAL:  
BOX: FIBREBOARD, CORRUGATED, DOUBLE WALL.  
TAPE: POLYSTYRENES, HEAT-RESISTANT TEMPERATURE: 120°C, BLACK COLOR.  
REEL: POLYSTYRENES, HEAT-RESISTANT TEMPERATURE: 70°C, BLUE COLOR.  
BAG: POLYETHYLENE, HEAT-RESISTANT TEMPERATURE: 100°C.

2.PEELING STRENGTH: 0.1 ~ 1.3 N (10 ~ 130 GRAMS)

3.PEELING SPEED: 300 mm/min.

4.EACH BAG SHALL BE INCLUDED DESICCANT.

| 1000         | 10               | 10000 PCS | -- KG           | -- KG         |
|--------------|------------------|-----------|-----------------|---------------|
| PCS/<br>REEL | REELS/<br>CARTON | QUANTITY  | GROSS<br>WEIGHT | NET<br>WEIGHT |

TOLERANCES UNLESS OTHERWISE SPECIFIED

| UNIT  | (MM)  |
|-------|-------|
| X.    | ±0.50 |
| X.X   | ±0.30 |
| X.XX  | ±0.20 |
| X.XXX | ±0.10 |
| ANGEL | ±2'   |

Singatron Enterprise Co., Ltd.

|       |   |           |               |
|-------|---|-----------|---------------|
| TITLE | USB 3.1 CF WATERPROOF CLO.29 H2.00mm DIP TYPE |           |               |
| DWN   | GAORUI  | PART NO.  |               |
| CHKD  | 2018.04.27                                    | SCALE 1:1 | UNIT: mm      |
| APVD  |   | SIZE: A3  | SHEET: 3 OF 3 |
|       |   |           | REV: A        |

| A    | NEW DARWING | ECN NO. | GAORUI | Chain | DC    | 2018.04.27 |
|------|-------------|---------|--------|-------|-------|------------|
| REV. | DESCRIPTION | ECN NO. | DWN.   | CHK.  | APVD. | DATE       |

CUSTOMER COPY